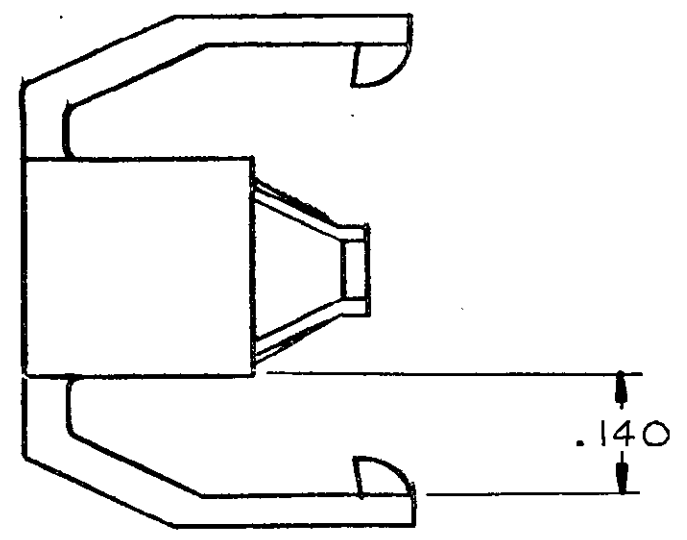
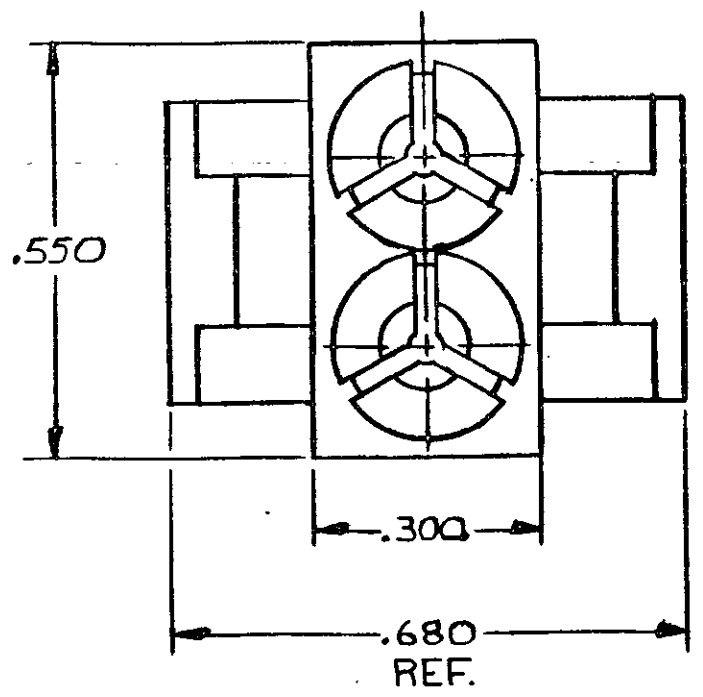
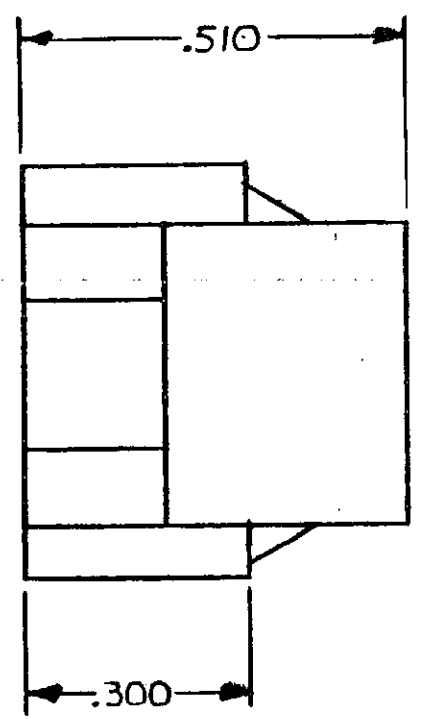


THIS DRAWING IS UNPUBLISHED. RELEASED FOR PUBLICATION, 19  
 © COPYRIGHT 19 BY AMP INCORPORATED, HARRISBURG, PA. ALL INTERNATIONAL RIGHTS RESERVED. AMP PRODUCTS MAY BE COVERED BY U.S. AND FOREIGN PATENTS AND/OR PATENTS PENDING.

| REVISIONS |   |      |     |                         |         |          |
|-----------|---|------|-----|-------------------------|---------|----------|
| P         | F | ZONE | LTR | DESCRIPTION             | DATE    | APPROVED |
| ✓         |   |      | E   | REVISED PER CM 2704     | 1-30-90 | TP / RS  |
|           |   |      | F   | REV PER EC-0730-0054-95 | 3-30-95 | JH / RS  |
|           |   |      |     |                         |         |          |
|           |   |      |     |                         |         |          |



- ASSEMBLY INSTRUCTIONS:  
 SNAP MODULE ONTO HOUSING,  
 FULLY INSERT CONTACTS THRU MODULE AND INTO HOUSING  
 (NOTE: SEVERAL CLICKS CAN BE HEARD AS THE CONTACT IS PUSHED IN PLACE),  
 DISENGAGE LATCHES ON MODULE AND SLIDE BACK FROM END OF HOUSING,  
 CHECK FOR ANY CONTACT NOT FULLY INSERTED INTO HOUSING;  
 INSERT ANY CONTACTS NOT LOCKED IN HOUSING,  
 PUSH MODULE BACK AGAINST HOUSING UNTIL LATCHES ARE ENGAGED.
- MODULE WILL ACCEPT MAXIMUM WIRE OUTSIDE DIA OF .160.

643250-1

PART NO

|   |                              |   |               |
|---|------------------------------|---|---------------|
| UNLESS OTHERWISE SPECIFIED DIMENSIONS ARE IN INCHES. TOLERANCES ON: DECIMALS ±.015 ANGLES ± | CONTRACT NO                  | AMP   AMP INCORPORATED<br>Harrisburg, Pa.                 |               |
|   | DR <i>M. Fehan</i> 7-13-82   | NAME ASSEMBLY MODULE,<br>UNIVERSAL MATE-N-LOK™, 2 CIRCUIT |               |
|   | CHK <i>C. High</i> 7-23-82   | SIZE <b>B</b>   | FSCM NO 00779 |
|   | APP <i>E. Quillo</i> 7/26/82 | DRAWING NO 643250   | SHEET         |
| MATERIAL NYLON 94V-0  | DSGN APPD                    | SCALE 4-1   |               |
| FINISH  | OTHER APPD                   |   |               |