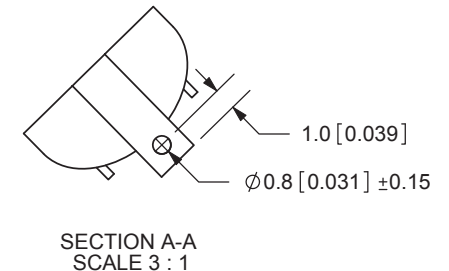
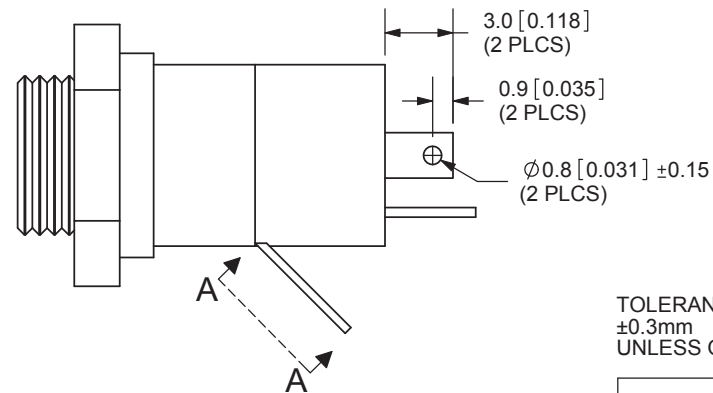
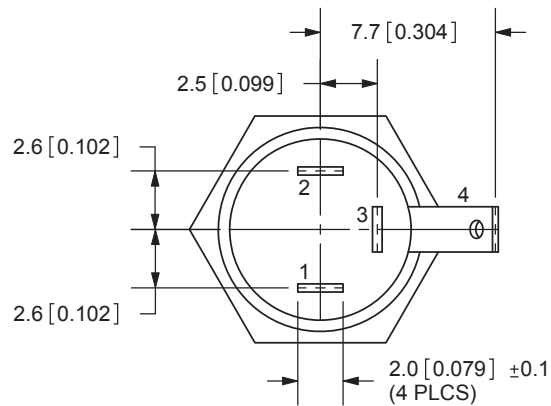
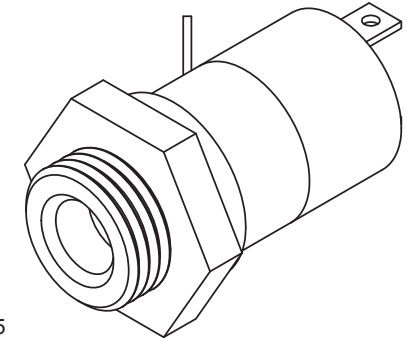
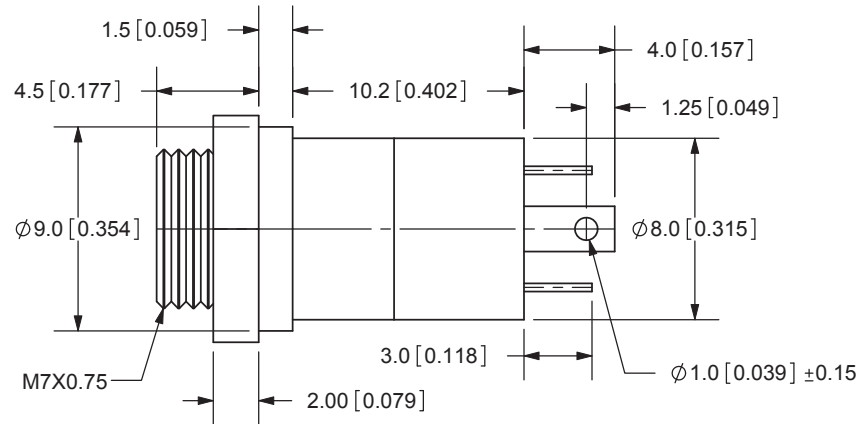
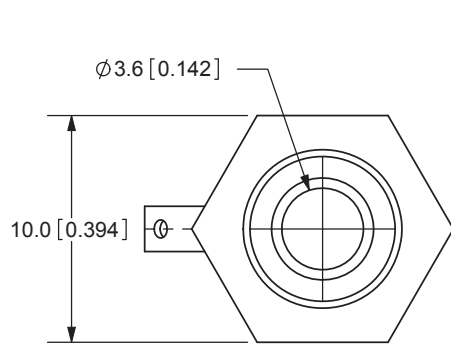


REV.	DESCRIPTION	DATE
A	NEW DRAWING	11/9/2005
B	Added pin tolerances	8/31/2006
C	added hole dimensions for output terminals	6/2/2008
D	material list update	8/7/2008



TOLERANCE:
±0.3mm
UNLESS OTHERWISE SPECIFIED



MODEL NO.	SJ-43502PM
SCHMATIC	

SPECIFICATIONS:
RATING: 34V DC or 34V AC@ 1A
CONTACT RESISTANCE: 50m OHMS MAX
INSULATION RESISTANCE: 100M OHMS MIN: 500V DC
VOLTAGE WITHSTAND: 500V AC R.M.S. FOR 1 MINUTE
LIFE: 5,000 CYCLES
OPERATING TEMP: -20 to 70C

	MATERIAL	PLATING
HEX NUT	Steel	Nickel
TERMINAL 1	Copper Alloy	Gold
TERMINAL 2	Copper Alloy	Nickel
TERMINAL 3	Copper Alloy	Nickel
TERMINAL 4	Brass	Nickel
HOUSING	PBT	



20050 SW 112th Ave.
Tualatin, OR 97062
Phone: 503-612-2300
800-275-4899
Fax: 503-612-2383
Website: www.cui.com

TITLE:	3.5mm Panel Mount Audio Jack - 4 Connector	REV:	D
PART NO.	SJ-43502PM	UNITS:	MM [INCHES]
DRAWN BY:	ZRJ	APPROVED BY:	
		SCALE:	3:1

PC FILE NAME:
SJ-43502PM

COPYRIGHT 2008 BY CUI INC.