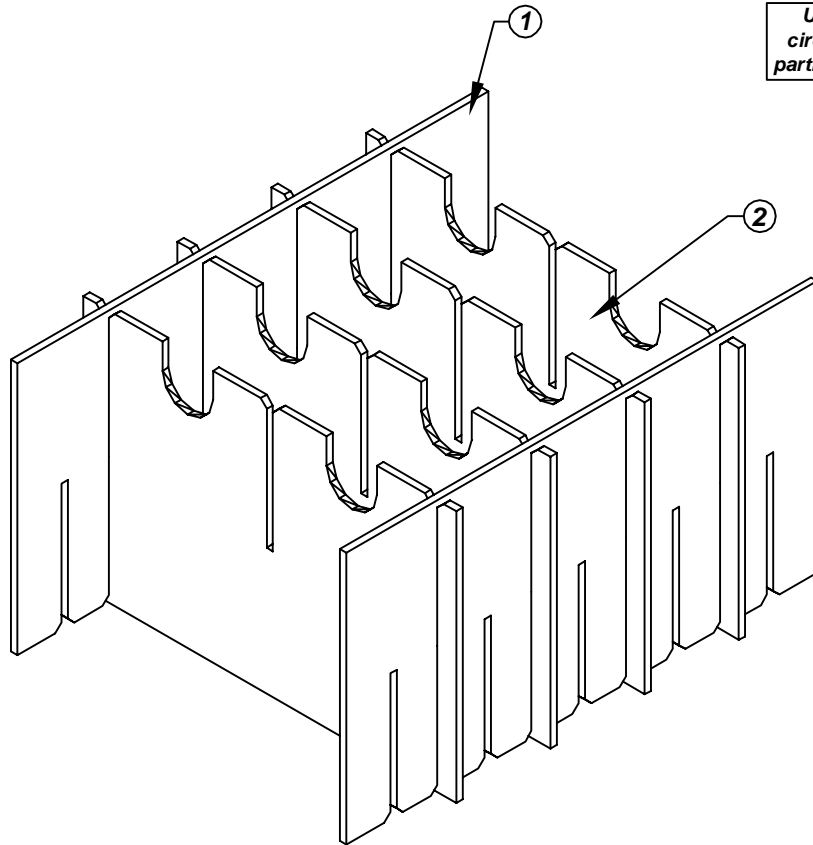
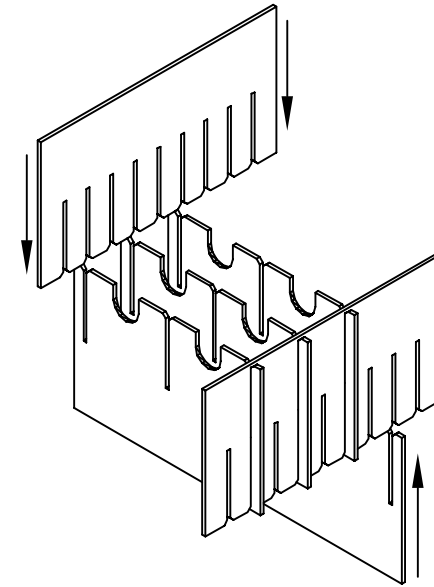
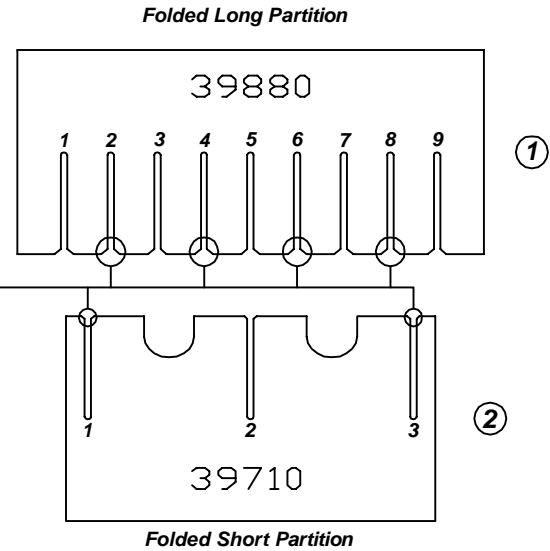


# Assembly Instructions for - 37329



Use only the circled slots for partition assembly



Made in America

F/N	Part #	Dimensions:	Description:	Qty:
①	39880	20-1/4" x 18-5/8"	460-HLP Long Partition	2
②	39710	20-1/4" x 14-3/4"	460/462/464-HSP Short Partition	4

## 37329 - 5 Cell Inplant Handler Cell Size - 10" x 12-3/4" x 3-5/8"

Notes:  
For use with the following storage container & lid:  
37524 - Storage Container  
37554 - Lid

PROTEKTIVE PAK  
13520 MONTE VISTA AVENUE, CHINO, CA 91710  
PHONE (909) 627-2578, FAX (909) 363-7331  
ProtektivePak.com



DRAWING NUMBER  
**IPH-37329**

DATE  
Nov.  
2007