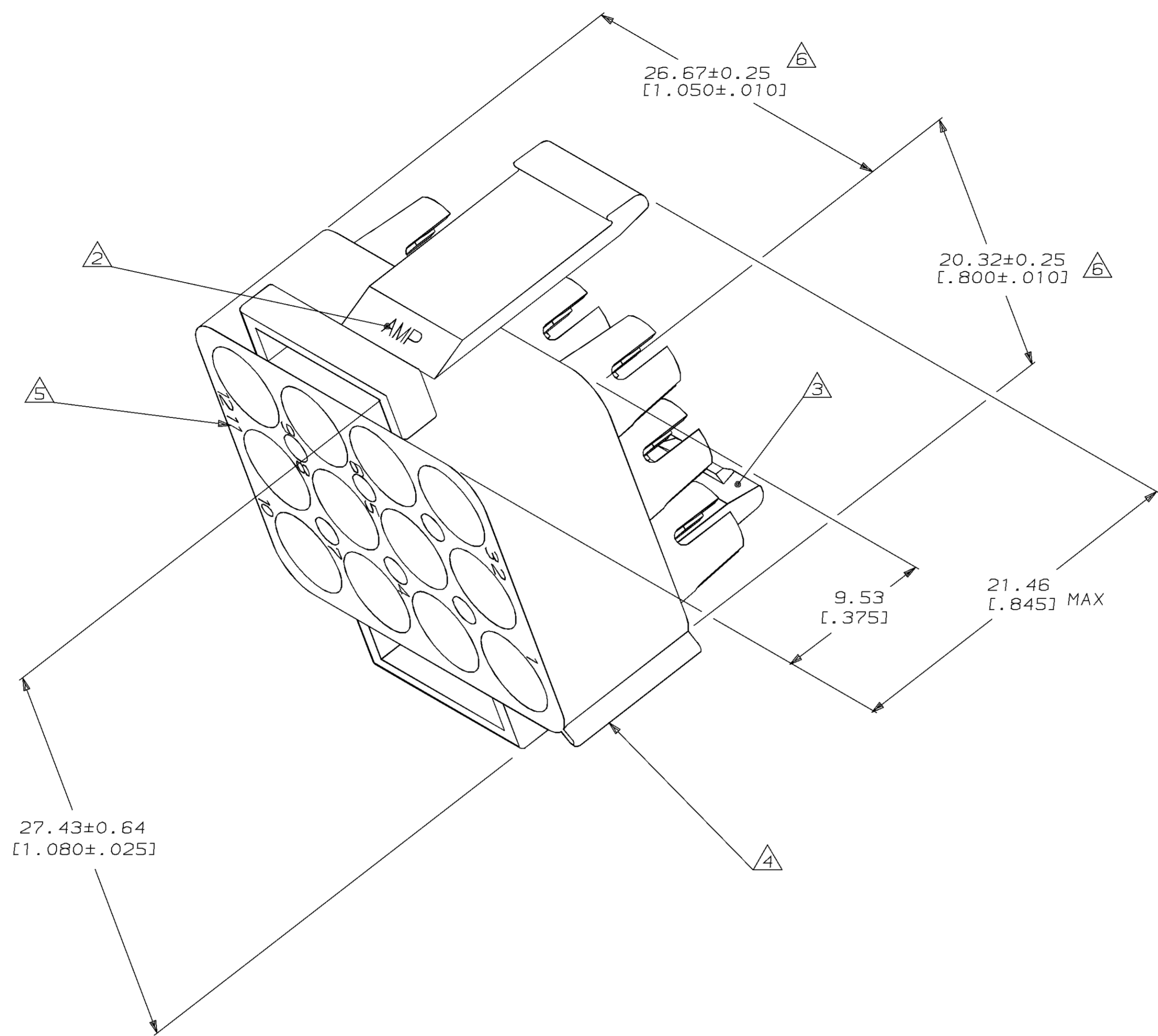


LOC		DIST		P		F		ZONE		LTR		REVISIONS		DATE	APPD	
CM	53												DESCRIPTION	4-20-95	RV	
													E	REV PER EC 0730-0040-95		RS



1. MUST BE ASSEMBLED WITH PLUG FRONT P/N 770041-1 BEFORE MATING. KIT P/N IS 770022-1.
2. AMP LOGO LOCATED THIS SURFACE.
3. UL AND CSA LOGOS LOCATED ON FAR SIDE.
4. CIRCUIT NO. 1 IDENTIFICATION RIB LOCATED APPROXIMATELY AS SHOWN.
5. LOCATION OF CIRCUIT NUMBERS MOVE BUT WILL REMAIN ADJACENT TO APPROPRIATE CAVITY.
6. DIMENSION INDICATED IS AS MOLDED. ADDITIONAL GROWTH DUE TO SUBSEQUENT MOISTURE ABSORPTION MAY OCCUR.
7. DIMENSIONS IN BRACKETS ARE IN INCHES.

770042-1
PART NUMBER



DO NOT SCALE PRINT. UNLESS SPECIFIED DIMENSIONS IN mm TOLERANCES ON +		DR 1-15-92 K. SALMON		AMP INCORPORATED Harrisburg, Pa. 17105	
2 PLC DEC ± 0.13 [.005]		CHK 1-15-92 R. SWING		NAME	
ANGLES ±		APPD 1-16-92 M. TRULL		PLUG REAR, 12 CIRCUIT, UNIVERSAL MATE-N-LOK™ II	
MATERIAL NYLON, UL94V-0,		APPD 1-16-92 M. TRULL		DRAWING NO 770042	
FINISH		APPLICATION SPEC		SCALE 5:1	
WEIGHT		FSCM NO 00779		SHEET 1 OF 1	

CUSTOMER DRAWING