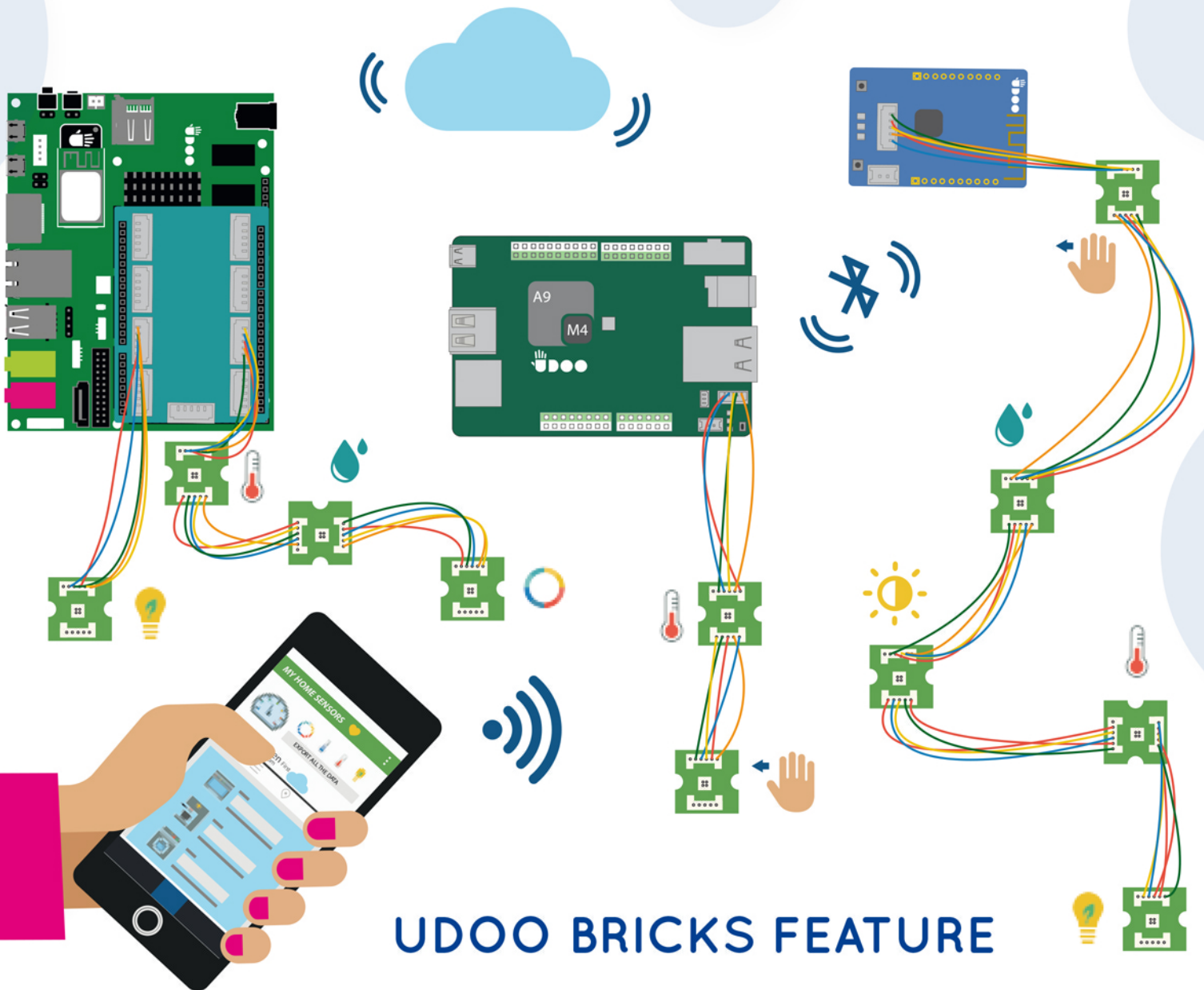


# AUGMENT UDOO BOARDS AND MAKE THEM MORE VERSATILE



## UDOO BRICKS FEATURE

### I2C Snap-In Connector

Plug into the I2C port thanks to the brand new Snap-In Connector

### Cascade Configuration

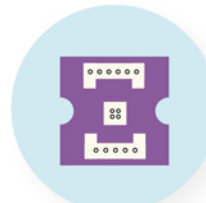
Attach multiple sensors to the same board without wasting space

### Broad selection

Tons of BRICKS to choose from: Humidity, Temperature, Altimeter, Relay, Light, Gesture, etc.

### Compatible with all UDOO BOARDS

UDOO BRICKS are compatible with all the available UDOO BOARDS

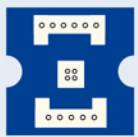




# THE FLEXIBLE WIRELESS EXTENSION FOR YOUR IoT PLATFORM



**Bluetooth Low Energy**  
Multi-standard 2.4 GHz  
ultra-low power consumption



**UDOO Bricks compatible**  
Compatible with all UDOO  
BOARDS



**9-Axis Motion Sensors**  
Accelerometer  
Gyroscope  
Magnetometer



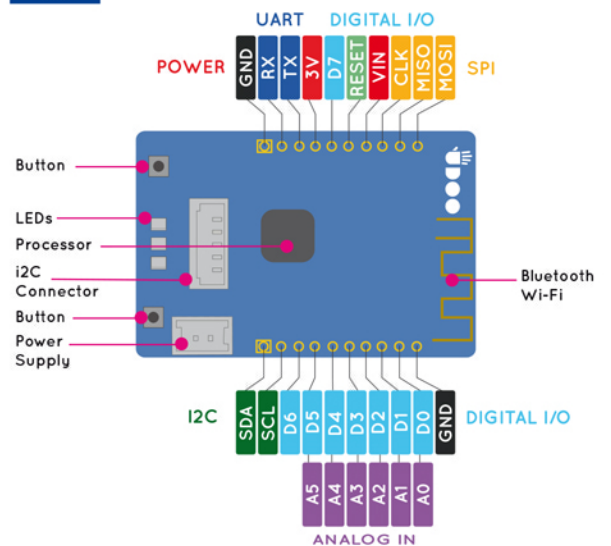
**Extremely Small Size**  
Board (45mm x 35mm;  
1,77inch x 1,37inch)



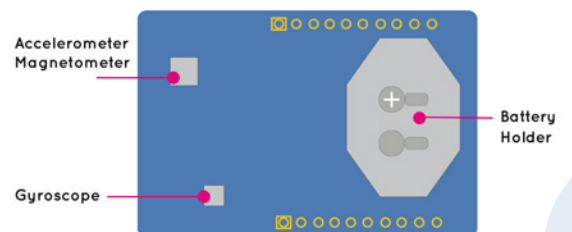
## FEATURES

<b>Processor</b>	Texas Instruments CC2650 ARM® Cortex®-M3 Up to 48 MHz
<b>Networking</b>	Bluetooth Low Energy (BLE) ZigBee, 6LoWPAN
<b>Integrated Sensors</b>	FXOS8700CQ Accelerometer+Magnetometer FXAS21002C Gyroscope+Temperature 1x Sensors Snap-in i2C connector for UDOO Bricks
<b>LEDs</b>	3x User Configurable LEDs (Red, Yellow, Green)
<b>Dimensions</b>	45mm x 35mm (1,77inch x 1,37inch)
<b>Digital I/O Pins</b>	8x Digital GPIOs
<b>Analog Input Pins</b>	6x Available ADCs
<b>Button</b>	2x Buttons
<b>Other Interfaces</b>	1x I2C 1x SPI 1x UART Serial
<b>Power Supply</b>	Battery holder (button-cell) CR 2032 External power supply

## TOP



## BOTTOM



16.10.2016

Information subject to change. Please visit [www.udoo.org](http://www.udoo.org) to find the latest version of the datasheet.



[www.udoo.org](http://www.udoo.org)