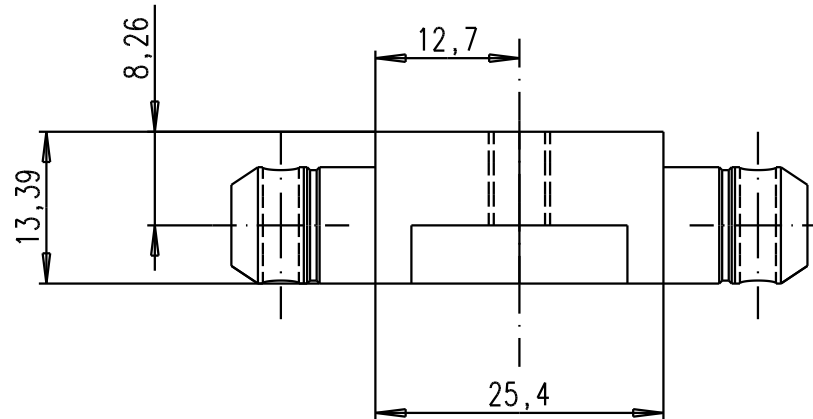




suitable for
crimping hand tool
09 99 000 0503



				Dot.	Name	 All Dim. in mm Orig. Size DIN A 4	Crimping die for outer conductor of coaxial contact	Maßstab/ Scale 1,5:1
			Detail.	14/10/04	TR			
			Insp.					
			Stand.					
32237	14/10/04	TR	HARTING EURL F-95972 Paris				TB 09 99 000 0515	Blatt/ Page 1/1
Mod.	Dot.	Name					Sub.	