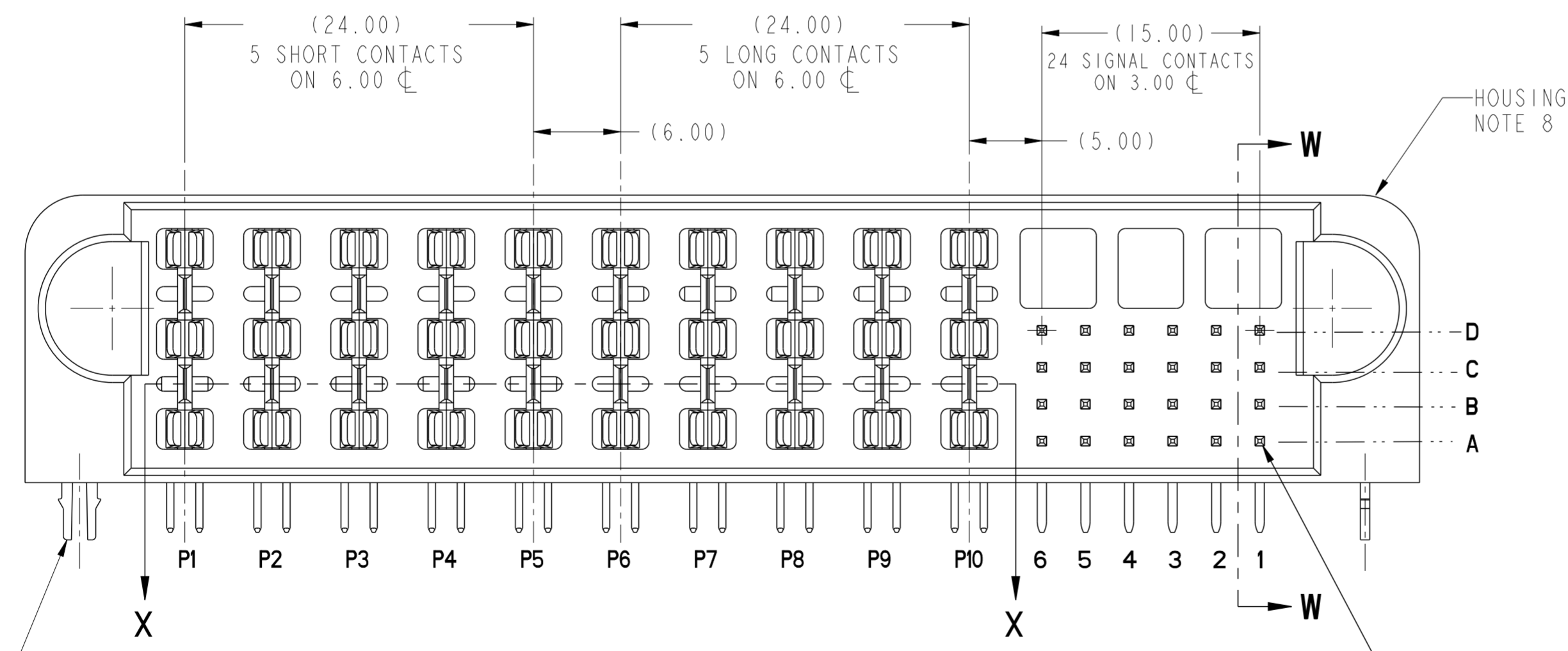
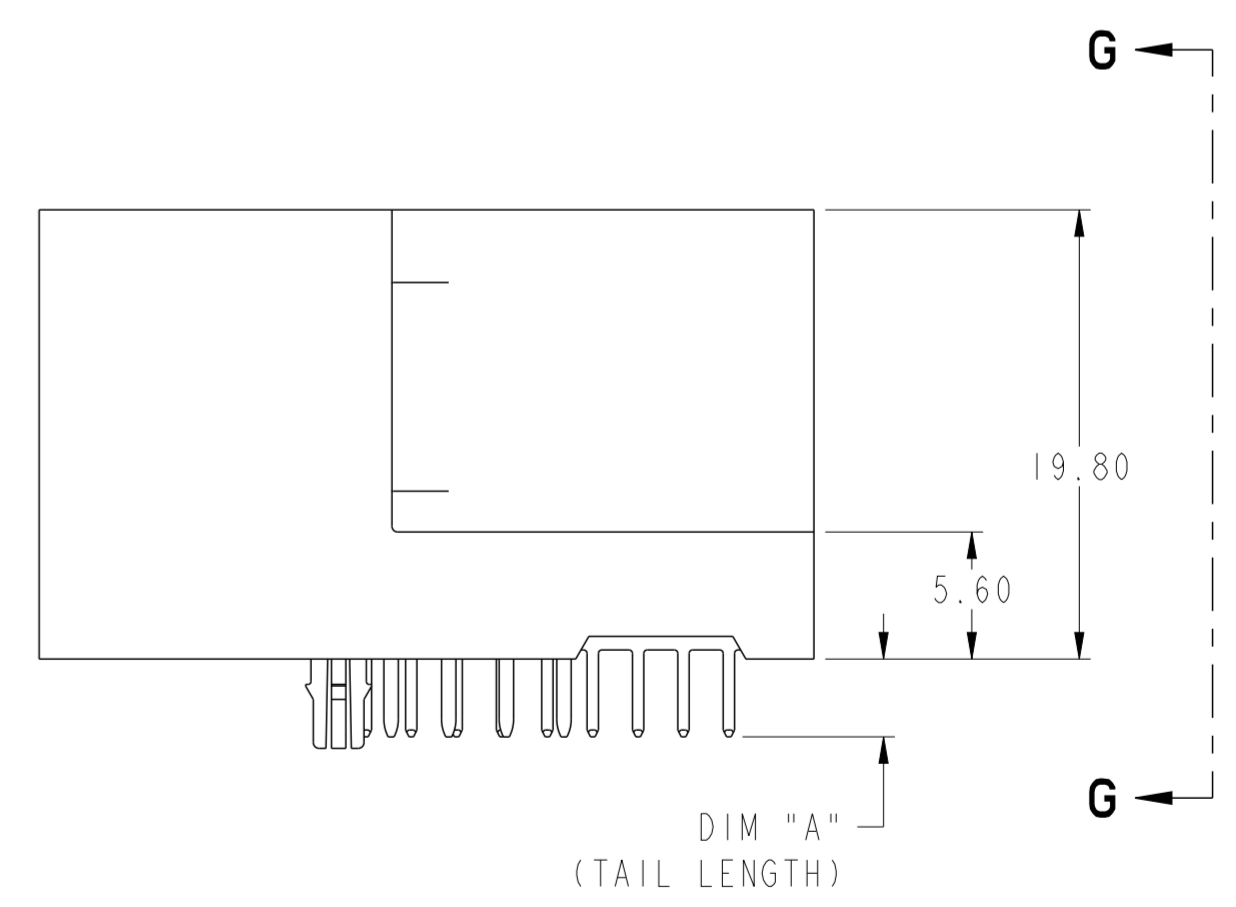


**SECTION X-X**  
SEE DETAIL C



RETENTION CLIPS  
OPTIONAL  
(SEE P/N TABLE)

POSITION A1  
SHORT DETECT PIN

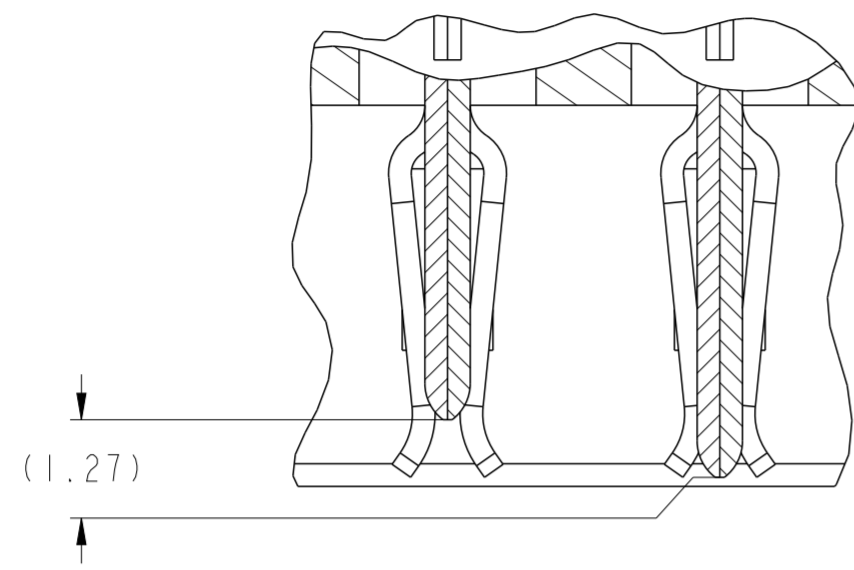


DIM "A"  
(TAIL LENGTH)

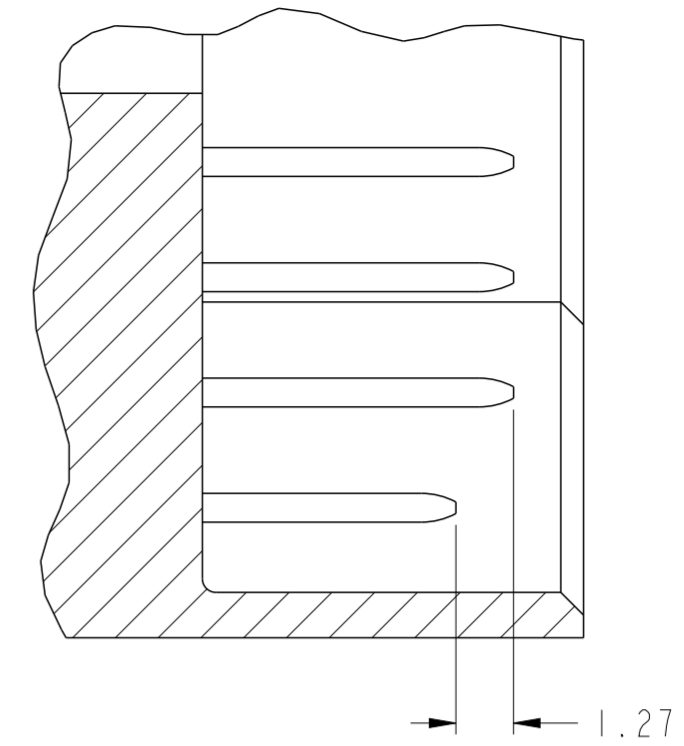
spec ref	*	dr	NotFound DuWa	2010/04/29	projection	MM	size	A2	scale	1:1
tolerance std	ASME Y14.5	eng	De-Ming Lu	2014/12/28			ecn no	ELX-DG-19849-1		
TOLERANCES UNLESS OTHERWISE SPECIFIED		chr					rel level	Released		
surface	ASME Y14.5	appr	Pei-Ming Zheng				product family	HCI		
linear	0.X ±0.5 0.XX ±0.25 0.XXX ±0.10			title	RA HEADER ASSY 5DC-12S HCI POWER CONNECTOR			dwg no	10085236	
angular	0° ±2°	www.fci.com		cat. no.	-			Product - Customer Drw	sheet 1 of 5	

1 2 3 4 5 6 7 8

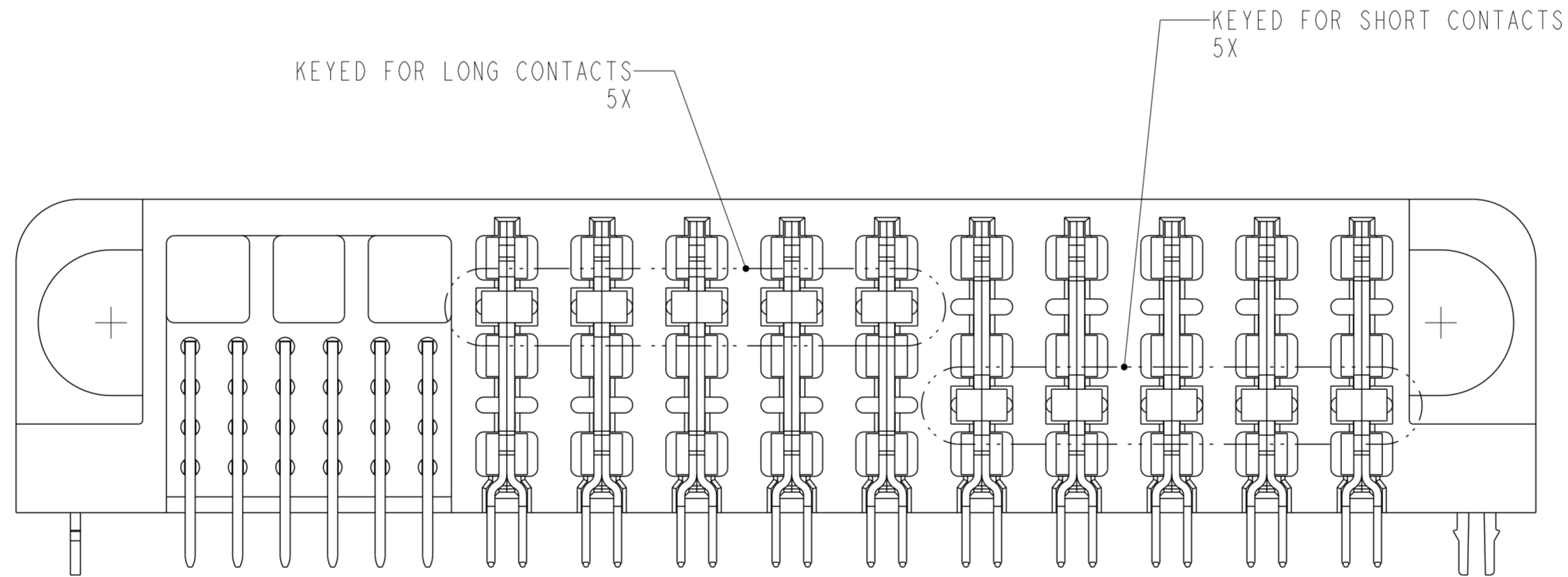
A  
B  
C  
D  
E  
F



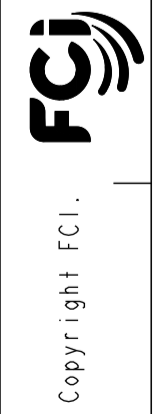
**DETAIL C**  
**SCALE 6:1**  
POWER MATING  
SEQUENCE



**SECTION W-W**  
**SCALE 6:1**  
SIGNAL MATING  
SEQUENCE

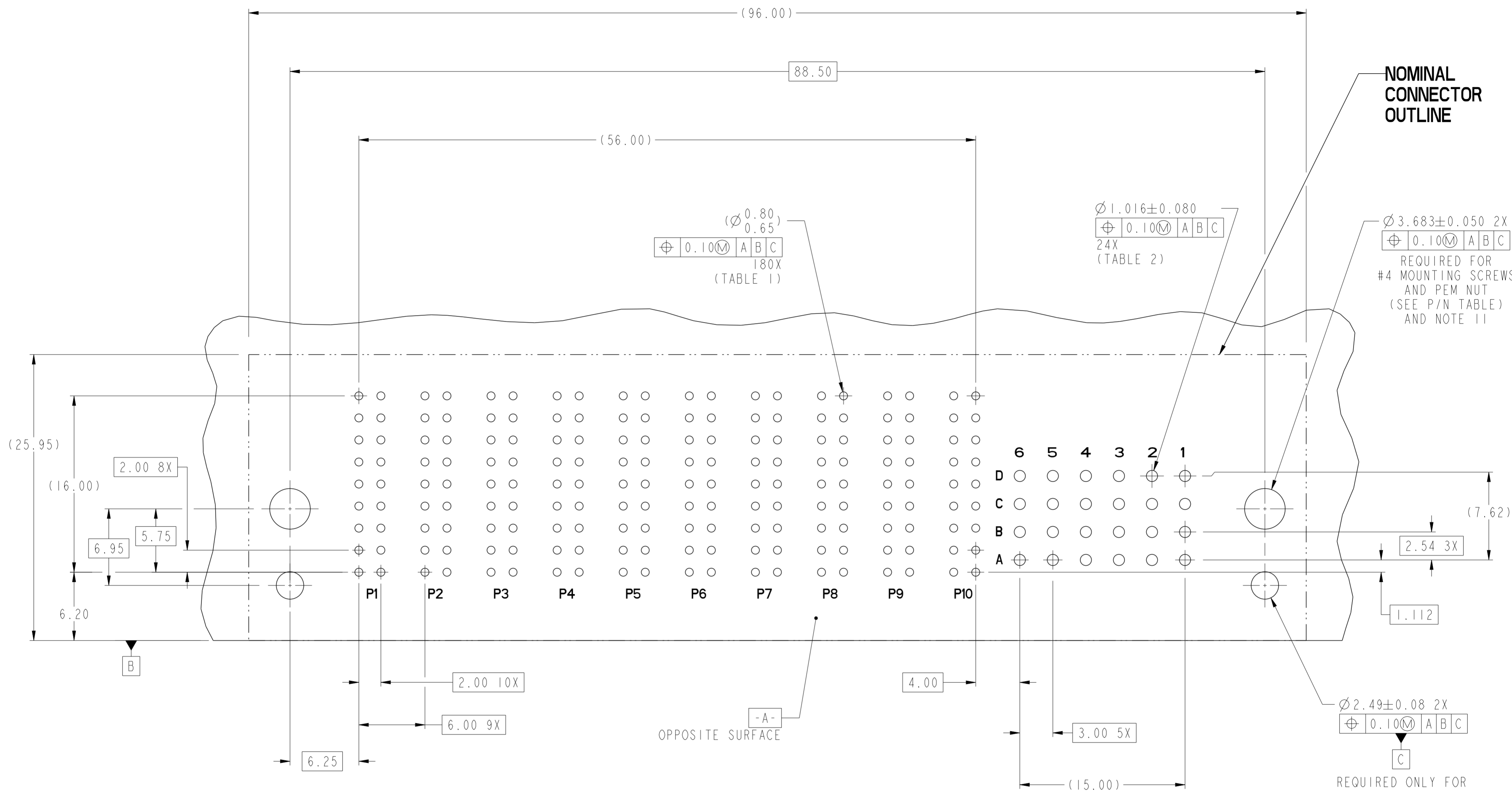


**VIEW G-G**



dr	Not Found DuWa	2010/04/29	projection	MM	size	A2	scale	1:1
eng	De-Ming Lu	2014/12/28			ecn no	ELX-DG-19849-1	rel level	Released
chr	-	-						
appr	Pei-Ming Zheng	2014/12/29	product family	HCI				
		<b>RA HEADER ASSY 5DC-12S</b> HCI POWER CONNECTOR			dwg no 10085236	rev D		
www.fci.com		cat. no.	-		Product - Customer Drw		sheet 2 of 5	

**NOMINAL CONNECTOR OUTLINE**



**RECOMMENDED PCB LAYOUT  
COMPONENT SIDE  
NOTE 6**

dr	Not Found DuWa	2010/04/29	projection	MM	size	A2	scale	1:1
eng	De-Ming Lu	2014/12/28			ecn no	ELX-DG-19849-1	rel level	Released
chr	-	-						
appr	Pei-Ming Zheng	2014/12/29	product family	HCI	rel level	Released		
		<b>RA HEADER ASSY 5DC-12S</b> HCI POWER CONNECTOR			dwg no 10085236	rev D		
www.fci.com		cat. no.	-		Product - Customer Draw	sheet 3 of 5		

A

A

B

B

C

C

D

D

E

E

F

F

TOP LAYER DESCRIPTION

TABLE 1 (HCI POWER)  
PLATED THROUGH-HOLE REQUIREMENTS

TOP LAYER DESCRIPTION	DRILLED HOLE DIAMETER	COPPER THICKNESS	TIN-LEAD THICKNESS	NICKEL THICKNESS	GOLD THICKNESS	TIN THICKNESS	SILVER THICKNESS	FINISHED HOLE DIAMETER
TIN-LEAD	0.81-0.86 (0.85 DRILL)	0.025 - 0.050	0.005 - 0.015	--	--	--	--	0.65 - 0.80
IMMERSION TIN	0.81-0.86 (0.85 DRILL)	0.025 - 0.050	--	--	--	0.9 - 1.5um	--	0.70 - 0.80
IMMERSION SILVER	0.81-0.86 (0.85 DRILL)	0.025 - 0.050	--	--	--	--	0.15 - 0.65um	0.70 - 0.80
COPPER (SEE NOTE 9)	0.81-0.86 (0.85 DRILL)	0.025 - 0.050	--	--	--	--	--	0.70 - 0.80
GOLD	0.81-0.86 (0.85 DRILL)	0.025 - 0.050	--	0.003 - 0.007	FLASH UP TO 0.0002	--	--	0.69 - 0.80

TOP LAYER DESCRIPTION

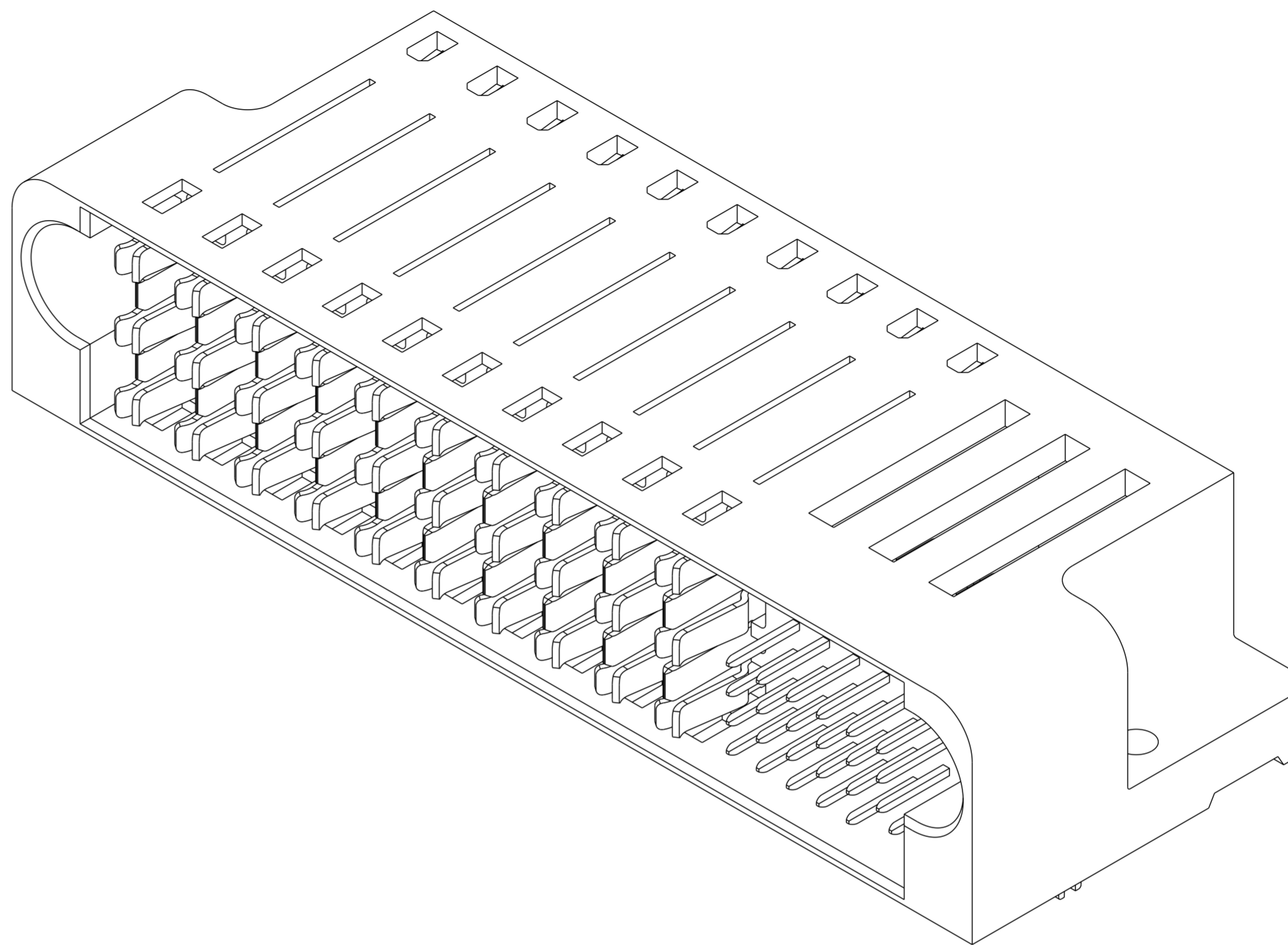
TABLE 2 (HPC SIGNALS)  
PLATED THROUGH-HOLE REQUIREMENTS

TOP LAYER DESCRIPTION	DRILLED HOLE DIAMETER	COPPER THICKNESS	TIN-LEAD THICKNESS	NICKEL THICKNESS	GOLD THICKNESS	TIN THICKNESS	SILVER THICKNESS	FINISHED HOLE DIAMETER
TIN-LEAD	1.125-1.175 ( $\varnothing .0453 \pm .0010$ )	0.025-0.050	0.005-0.015	--	--	--	--	0.94 - 1.10 ( $\varnothing .040 \pm .003$ )
IMMERSION TIN			--	--	--	--	--	
IMMERSION SILVER			--	--	--	--	--	
COPPER (SEE NOTE 9)			--	--	--	--	--	
GOLD			--	--	--	--	--	

Copyright FCI. FCI

dr	NotFound DuWa	2010/04/29	projection	MM	size	A2	scale	1:1
eng	De-Ming Lu	2014/12/28		←	ecn no	ELX-DG-19849-1	rel level	Released
chr	-	-						
appr	Pei-Ming Zheng	2014/12/29	product family	HCI	cat. no.	10085236	rev	D
www.fci.com			Product - Customer Drw			sheet 4 of 5		

PART NUMBER	RETENTION CLIPS	#4 SCREW	DIM A ±0.25 (TAIL LENGTH)	TAIL TYPE
10085236-001LF	NO	YES	3.43	SOLDER TAIL
10085236-002LF	NO	YES	4.70	SOLDER TAIL
10085236-003LF	YES	NO	3.43	SOLDER TAIL
10085236-004LF	YES	NO	4.70	SOLDER TAIL



NOTES:

1. CONNECTOR MATERIALS:  
HOUSING: HIGH TEMPERATURE THERMOPLASTIC, BLACK  
UL 94V-0 COMPLIANT  
CONTACTS: HIGH PERFORMANCE COPPER ALLOY
2. CONTACT FINISH (ref GS-12-380 SECTION 5.2)
3. PRODUCT SPECIFICATION: GS-12-380. (IN PROGRESS)
4. APPLICATION SPECIFICATION: GS-20-070. (IN PROGRESS)
5. PRODUCT MARKING (PRODUCT NUMBER & DATE CODE) ON HOUSING IN AREA SHOWN.
6. MINIMUM NOMINAL PCB THICKNESS: 1.6mm
7. PACKAGING MEETS FCI SPECIFICATION GS-14-1073.
8. HOUSING COMPONENT WILL WITHSTAND EXPOSURE TO 260°C PEAK TEMPERATURE FOR 60 SECONDS IN A CONVECTION, INFRA-RED, OR VAPOR PHASE REFLOW OVEN.
9. COPPER PLATING THICKNESS IN CENTER OF VIA-HOLE CAN BE NO MORE THAN 0.003 LESS THAN OTHER AREAS.
10. ALL HOLE SIZES ARE FINISHED HOLE SIZES.
11. MOUNTING HOLES ARE UNPLATED.

dr	Not Found DuWa	2010/04/29	projection	MM	size	A2	scale	1:1	
eng	De-Ming Lu	2014/12/28			ecn no	ELX-DG-19849-1			
chr	-	-			rel level	Released			
appr	Pei-Ming Zheng	2014/12/29	product family	HCl	cat. no.	10085236			
		title RA HEADER ASSY 5DC-12S HCl POWER CONNECTOR		dwg no 10085236	rev D		Product - Customer Drw		
www.fci.com		-		-		sheet 5 of 5		-	