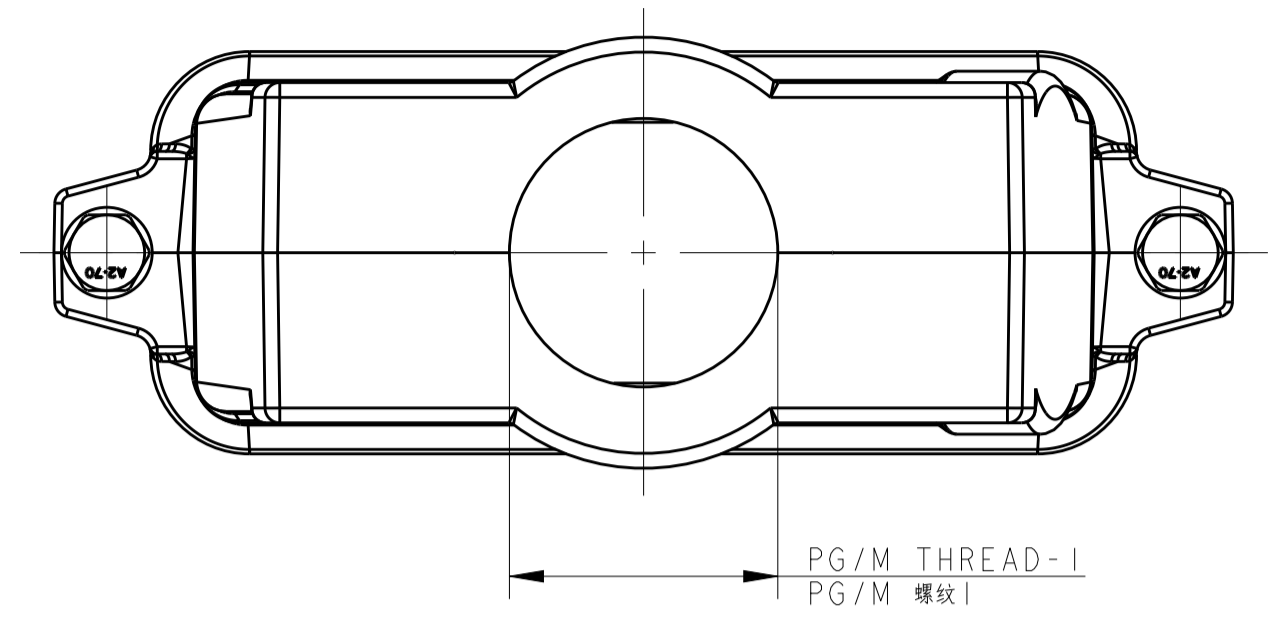
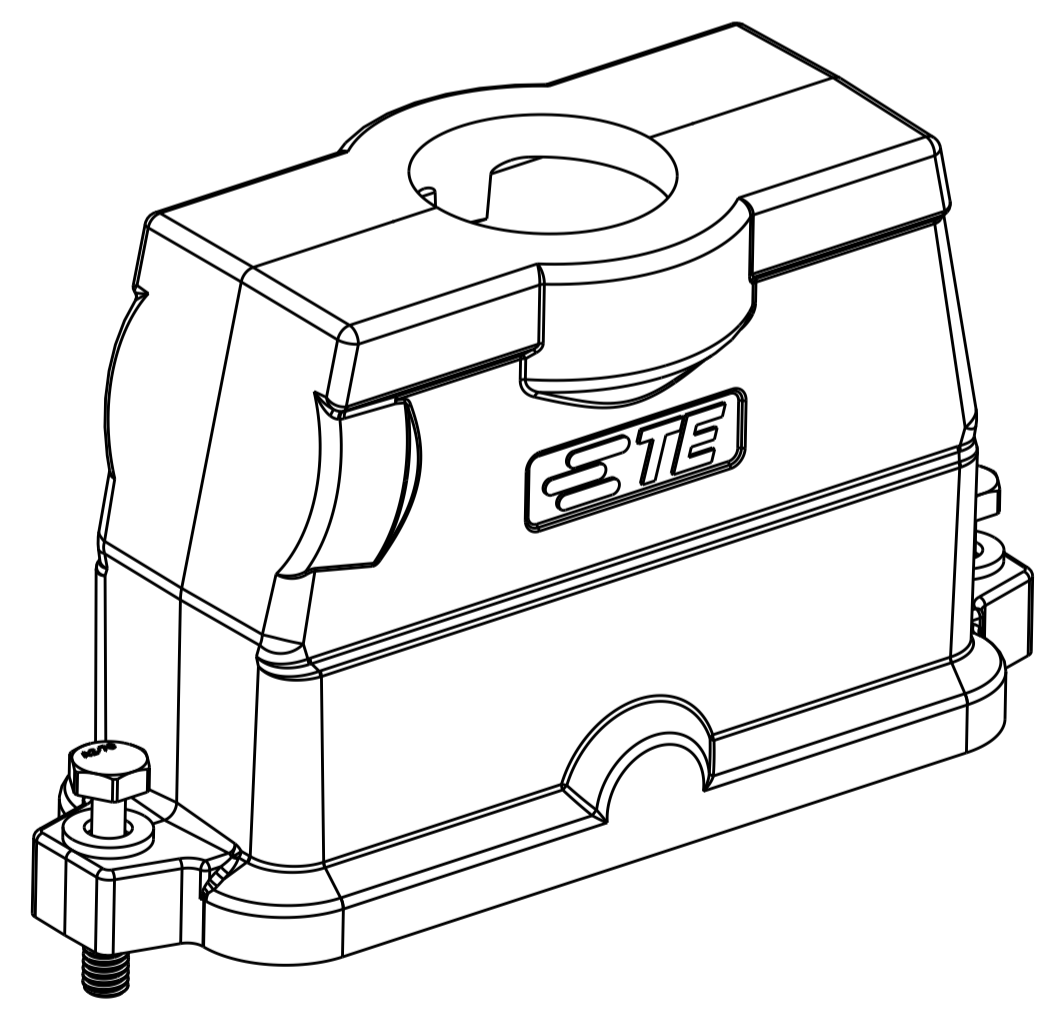
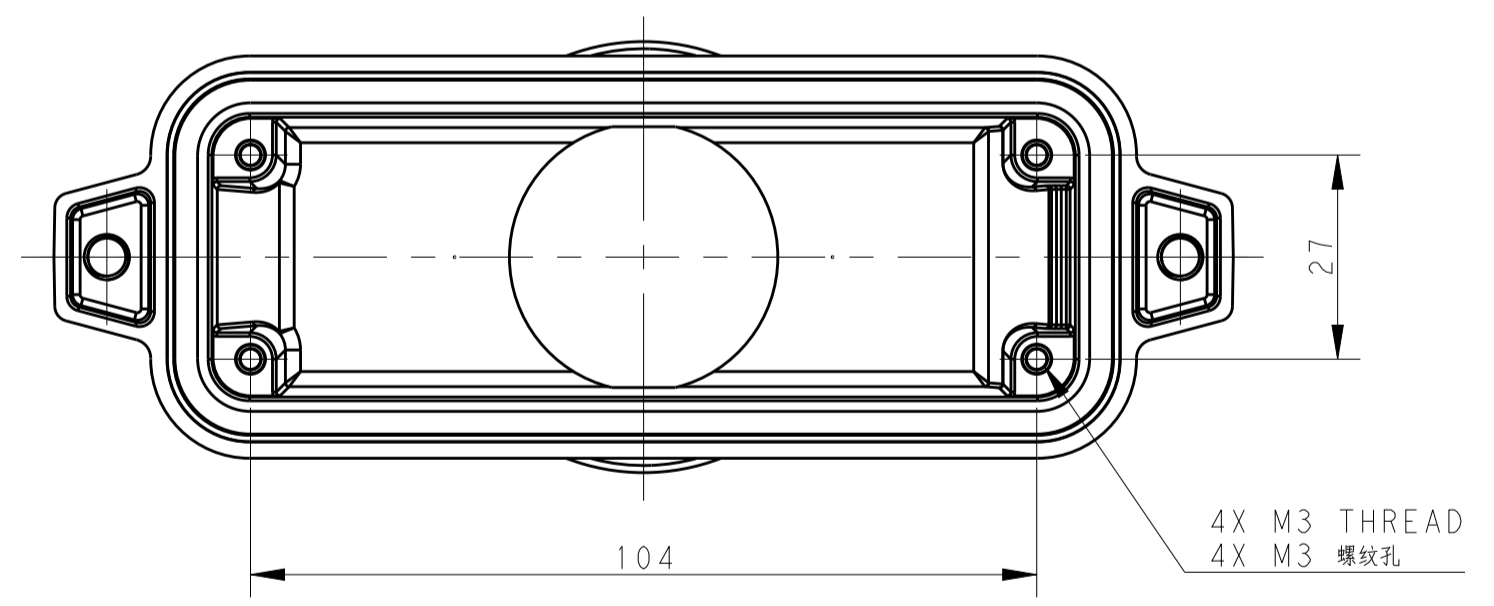
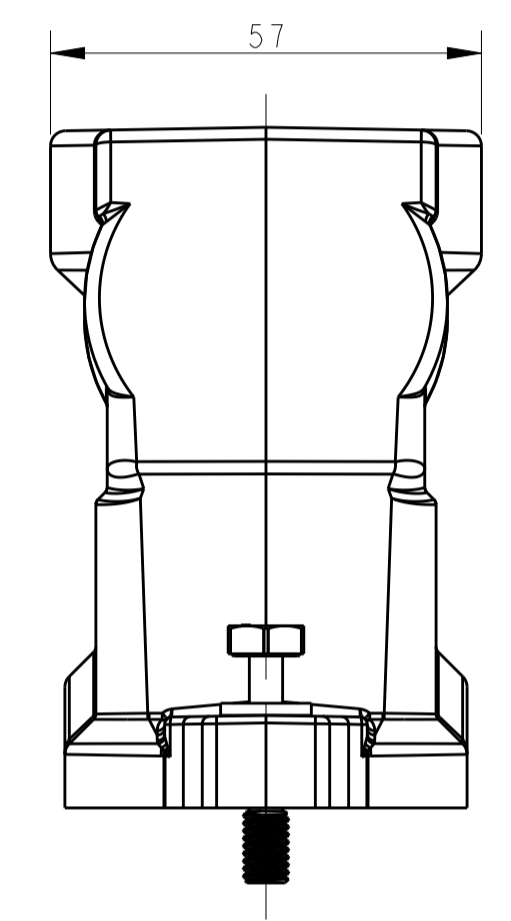
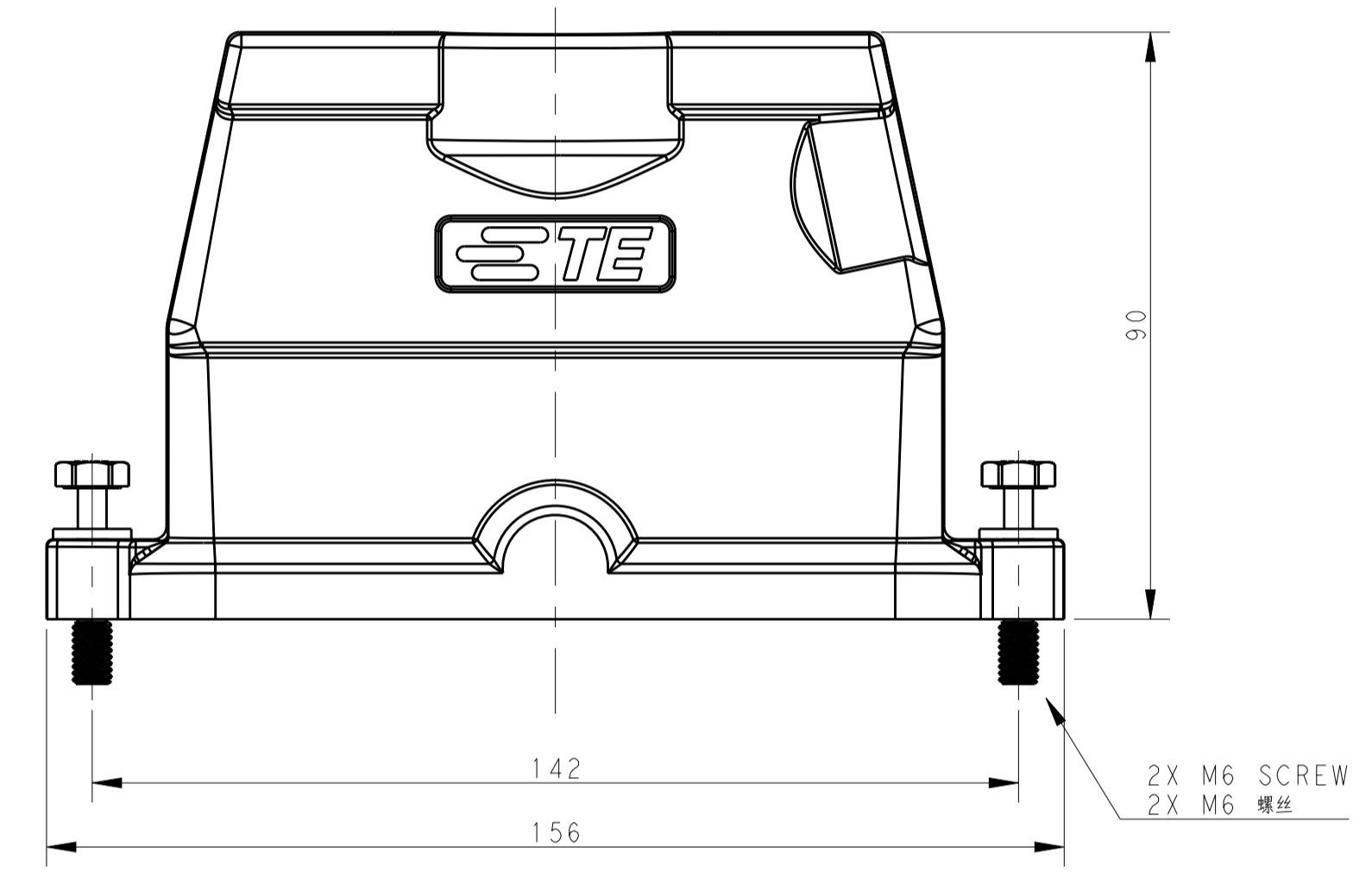


TYPE 1 类型 1

Single PG/M thread
单个 PG/M 螺纹孔

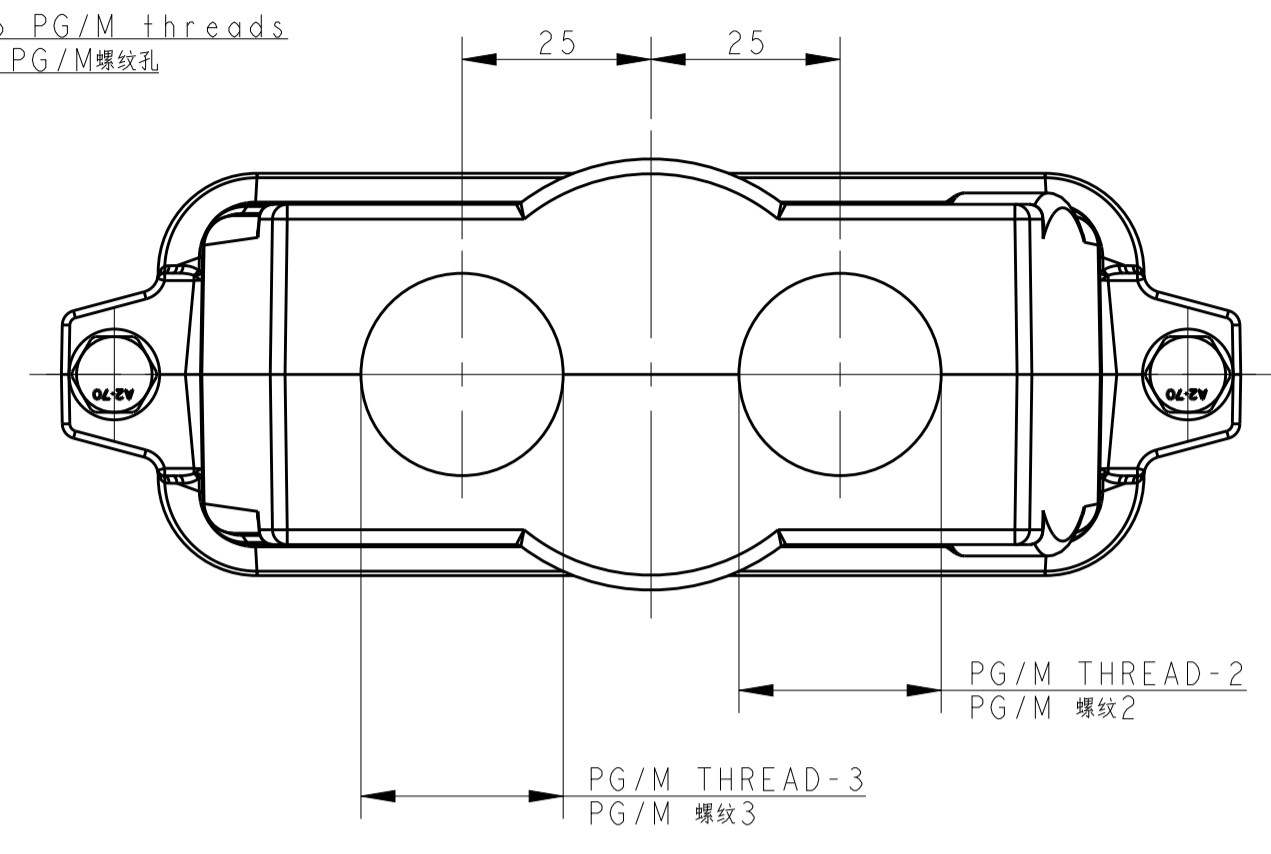


PG/M THREAD-1
PG/M 螺纹1



TYPE 2 类型 2

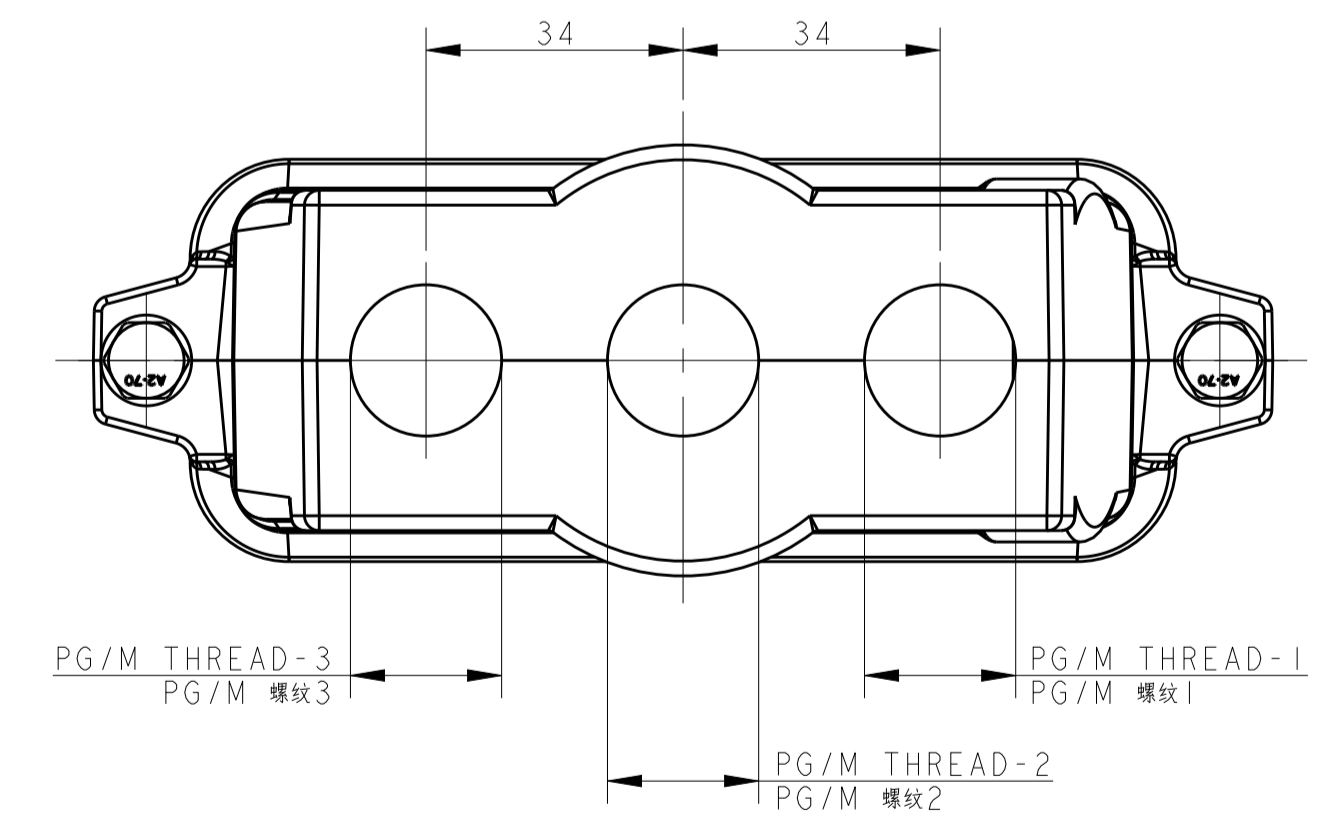
Two PG/M threads
两个 PG/M 螺纹孔



All dimension is same as TYPE 1, except those defined in this TYPE
除了在本类型中定义的尺寸外, 其他尺寸同类型 1

TYPE 3 类型 3

Three PG/M threads
三个 PG/M 螺纹孔

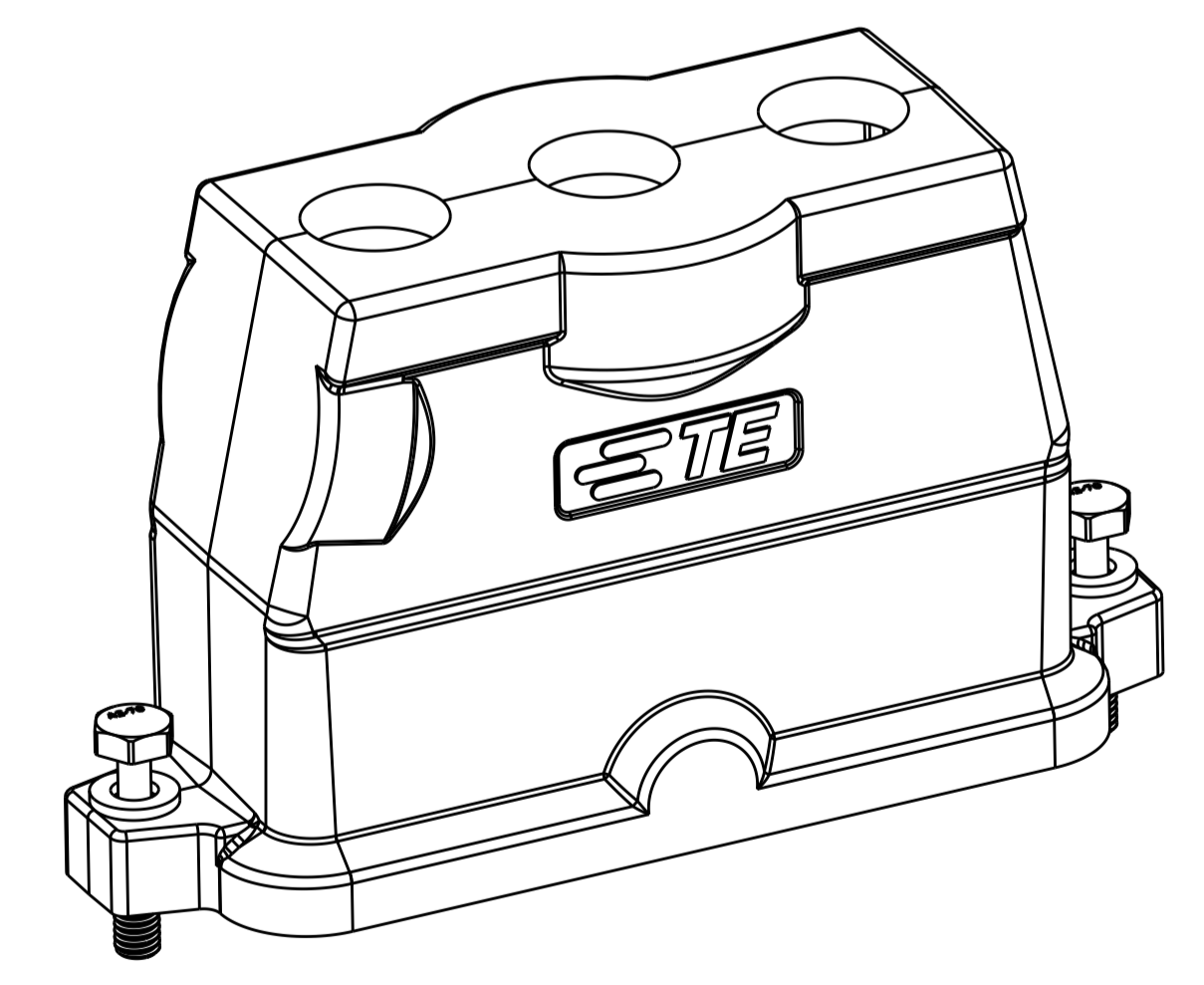
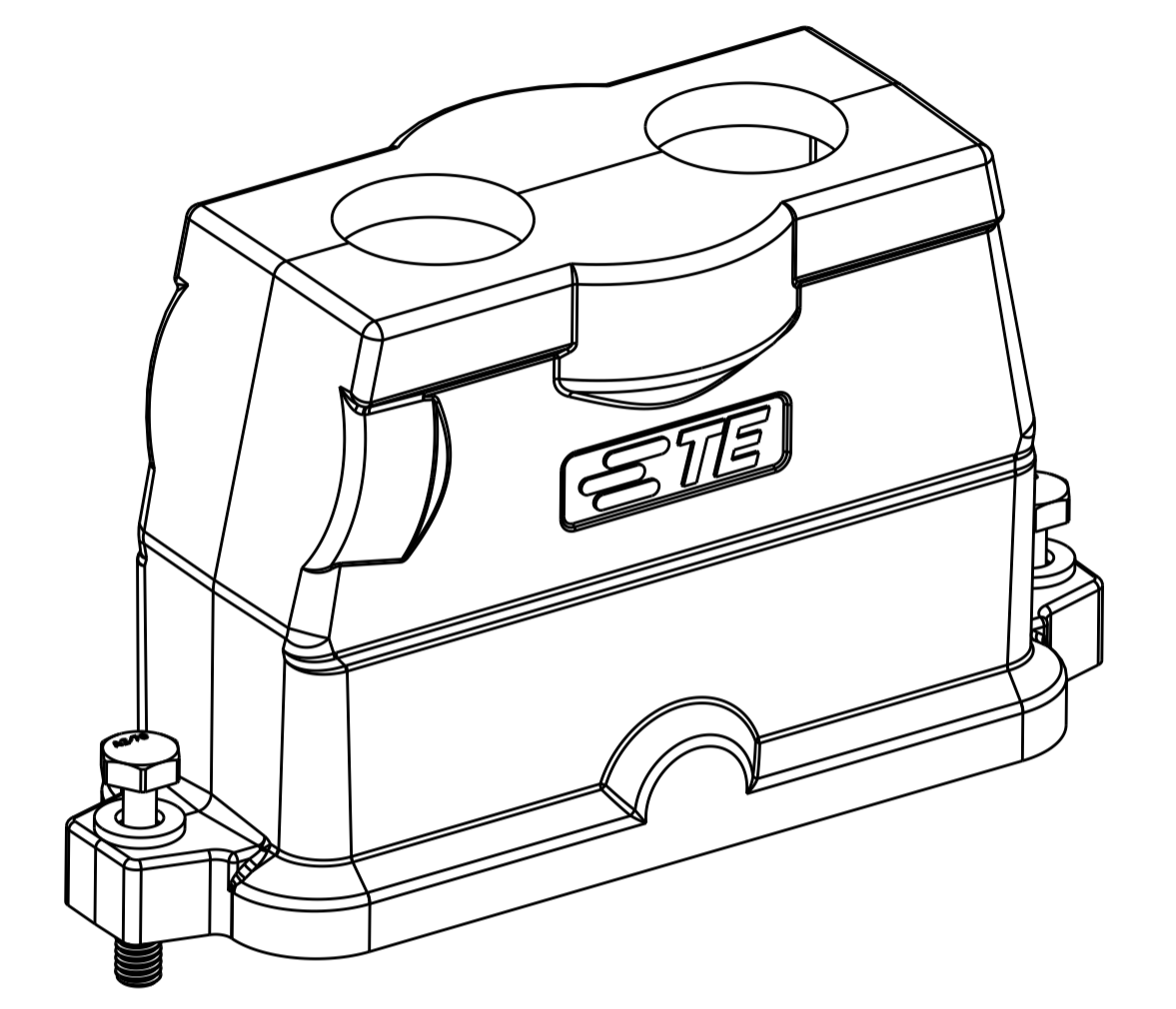


All dimension is same as TYPE 1, except those defined in this TYPE
除了在本类型中定义的尺寸外, 其他尺寸同类型 1

REVISIONS				
REV	DATE	DESCRIPTION	BY	APPV
A	07JUN2016	INITIAL RELEASE	DW	CW
A1	13DEC2017	ECR-17-018159	RL	CW
A2	01AUG2018	ECR-18-012258	DW	CW

NOTES:
1. TECHNICAL CHARACTERISTICS:
HOOD MATERIAL: DIE CAST ALUMINIUM ALLOY
SURFACE TREATMENT: SEE TABLE
DEGREE OF PROTECTION: IP68 (MATED)

注释:
1. 技术参数:
壳体材料: 铝合金
表面处理: 见表格
防护等级: IP68 (配合)




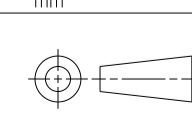
THIS DRAWING IS A CONTROLLED DOCUMENT.		OWN: DAVID WANG 07JUN2016	TE Connectivity	
DIMENSIONS: mm		CHK: CHRIS WANG 07JUN2016		
TOLERANCES UNLESS OTHERWISE SPECIFIED:		APVD: XIANG XU 07JUN2016	NAME: H24BPR-TGHC-PG/M-EMC-C	
0 PLC ±		PRODUCT SPEC	SIZE: A1	
1 PLC ±		108-137191	CAGE CODE: T192224XXXXX09	
2 PLC ±		APPLICATION SPEC	RESTRICTED TO: 1	
3 PLC ±		114-137191	SCALE: 1:1	
4 PLC ±		WEIGHT	SHEET 1 OF 2	
ANGLES ±		CUSTOMER DRAWING	REV: A2	
FINISH				

THIS DRAWING IS UNPUBLISHED. RELEASED FOR PUBLICATION 20
COPYRIGHT 20 BY ALL RIGHTS RESERVED.

REVISIONS				
P.	LTN	DESCRIPTION	DATE	APPD
-	-	SEE SHEET 1	-	-

NOTES:
SEE SHEET 1

PART NUMBER	料号	DESCRIPTION	描述	PG/M THREAD-3	PG/M 螺紋3	PG/M THREAD-2	PG/M 螺紋2	PG/M THREAD-1	PG/M 螺紋1	TYPE	类型
T1922240320-009	H24BPR-TGHC-3M20-EMC-C	H24BPR HOOD,CENTER LOCKING, TOP ENTRY 3M20,BLACK H24BPR上壳,中部锁定,顶出3M20,黑色		M20		M20		M20		TYPE 3	类型3
T1922241221-009	H24BPR-TGHC-2PG21-EMC-C	H24BPR HOOD,CENTER LOCKING, TOP ENTRY 2PG21,SILVER WHITE H24BPR上壳,中部锁定,顶出2PG21,银白色		PG21		PG21		-		TYPE 2	类型2
T1922242150-009	H24BPR-TGHC- M50-EMC-C	H24BPR HOOD,CENTER LOCKING, TOP ENTRY M50,GREY H24BPR上壳,中部锁定,顶出M50,灰色		-		-		M50		TYPE 1	类型1
T1922241140-009	H24BPR-TGHC-M40-EMC-C	H24BPR HOOD,CENTER LOCKING, TOP ENTRY M40,SILVER WHITE H24BPR上壳,中部锁定,顶出M40,银白色		-		-		M40			
T1922241136-009	H24BPR-TGHC-PG36-EMC-C	H24BPR HOOD,CENTER LOCKING, TOP ENTRY PG36,SILVER WHITE H24BPR上壳,中部锁定,顶出PG36,银白色		-		-		PG36			
T1922241132-009	H24BPR-TGHC-M32-EMC-C	H24BPR HOOD,CENTER LOCKING, TOP ENTRY M32,SILVER WHITE H24BPR上壳,中部锁定,顶出M32,银白色		-		-		M32			
T1922241129-009	H24BPR-TGHC-PG29-EMC-C	H24BPR HOOD,CENTER LOCKING, TOP ENTRY PG29,SILVER WHITE H24BPR上壳,中部锁定,顶出PG29,银白色		-		-		PG29			
T1922241125-009	H24BPR-TGHC-M25-EMC-C	H24BPR HOOD,CENTER LOCKING, TOP ENTRY M25,SILVER WHITE H24BPR上壳,中部锁定,顶出M25,银白色		-		-		M25			
T1922241121-009	H24BPR-TGHC-PG21-EMC-C	H24BPR HOOD,CENTER LOCKING, TOP ENTRY PG21,SILVER WHITE H24BPR上壳,中部锁定,顶出PG21,银白色		-		-		PG21			
T1922240140-009	H24BPR-TGHC-M40-EMC-C	H24BPR HOOD,CENTER LOCKING, TOP ENTRY M40,BLACK H24BPR上壳,中部锁定,顶出M40,黑色		-		-		M40			
T1922240136-009	H24BPR-TGHC-PG36-EMC-C	H24BPR HOOD,CENTER LOCKING, TOP ENTRY PG36,BLACK H24BPR上壳,中部锁定,顶出PG36,黑色		-		-		PG36			
T1922240132-009	H24BPR-TGHC-M32-EMC-C	H24BPR HOOD,CENTER LOCKING, TOP ENTRY M32,BLACK H24BPR上壳,中部锁定,顶出M32,黑色		-		-		M32			
T1922240129-009	H24BPR-TGHC-PG29-EMC-C	H24BPR HOOD,CENTER LOCKING, TOP ENTRY PG29,BLACK H24BPR上壳,中部锁定,顶出PG29,黑色		-		-		PG29			
T1922240125-009	H24BPR-TGHC-M25-EMC-C	H24BPR HOOD,CENTER LOCKING, TOP ENTRY M25,BLACK H24BPR上壳,中部锁定,顶出M25,黑色		-		-		M25			
T1922240121-009	H24BPR-TGHC-PG21-EMC-C	H24BPR HOOD,CENTER LOCKING, TOP ENTRY PG21,BLACK H24BPR上壳,中部锁定,顶出PG21,黑色		-		-		PG21			

THIS DRAWING IS A CONTROLLED DOCUMENT. TOLERANCES UNLESS OTHERWISE SPECIFIED:		OWN DAVID WANG 07JUN2016 CHK CHRIS WANG 07JUN2016 APPD XIANG YU 07JUN2016	 TE Connectivity	
DIMENSIONS: mm		PRODUCT SPEC	NAME H24BPR-TGHC-PG/M-EMC-C	
		APPLICATION SPEC	SIZE CAGE CODE DRAWING NO	
MATERIAL		WEIGHT	RESTRICTED TO	
FINISH		CUSTOMER DRAWING	SCALE 1:1 SHEET 2 OF 2 REV A2	