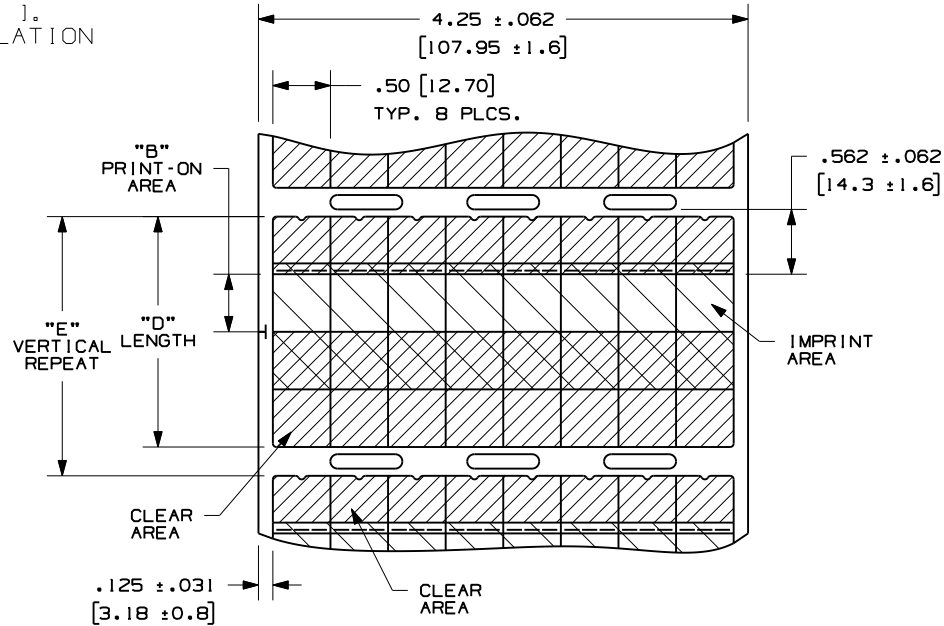


THIS COPY IS PROVIDED ON A RESTRICTED BASIS AND IS NOT TO BE USED IN ANY WAY DETRIMENTAL TO THE INTERESTS OF PANDUIT CORP.

PART NUMBER	APPLICATION DIAMETER RANGE	MATERIAL	* "B" +/- .062 PRINT ON AREA	"D" +/- .062 LENGTH	"E" REPEAT	LABELS PER ROW	STANDARD PKG. QTY.
R050X075VIT	.120-.160	GMH6	.25 [ 6.4 ]	1.25 [ 31.8 ]	1.50 [ 38.1 ]	8	5000
R050X125VIT	.160-.220	GMH6	.38 [ 9.5 ]	1.75 [ 44.5 ]	2.00 [ 50.8 ]	8	5000
R050X150VIT	.220-.280	GMH6	.50 [ 12.7 ]	2.00 [ 50.8 ]	2.25 [ 57.2 ]	8	5000

NOTES:  
 1. MILLIMETERS ARE IN [ ].  
 2. SEE B20392 FOR INSTALLATION INSTRUCTIONS.



CAD FILENAME/LAYERS 100147BC-DC-C10784/02A

PANDUIT CORP. TINLEY PARK, ILLINOIS

CUSTOMER DRAWING  
 TURN TELL ROTATABLE  
 SELF-LAMINATING LABEL, R050X\*\*\*VIT

UNLESS OTHERWISE SPECIFIED,  
 DIMENSIONAL TOLERANCES ARE:  
 (.X) ± .12 (.XXX) ± .025  
 (.XX) ± .062 ANGLES ±

UNLESS OTHERWISE SPECIFIED,  
 ALL DIMENSIONS ARE GIVEN  
 IN INCHES, THIRD ANGLE PROJECTION.

DRAWN BY  
 RVU

MAT'L:

SCALE  
 NTS

DATE  
 3/1/11

SEE TABLE

DRAWING NO.

C10782

DWG  
 A  
 SIZE

0 3/1/11 RVU *RVU* DRAWING RELEASE.

6321 R

REV DATE BY CHK DESCRIPTION

ECN - R CUST SUP

CHK'D *[Signature]*