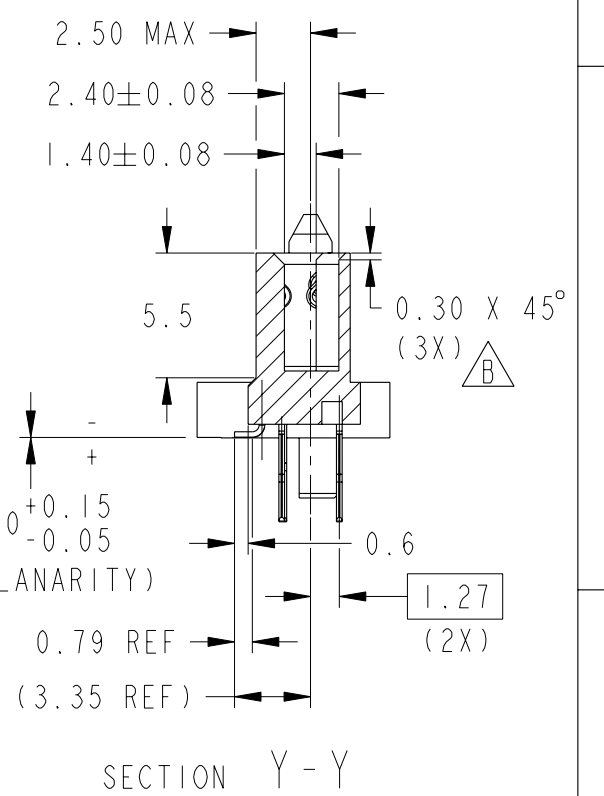
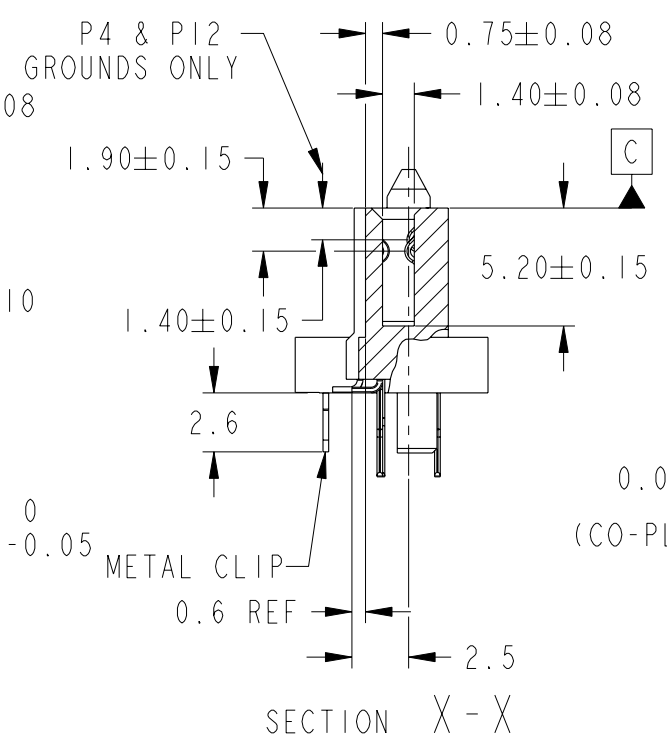
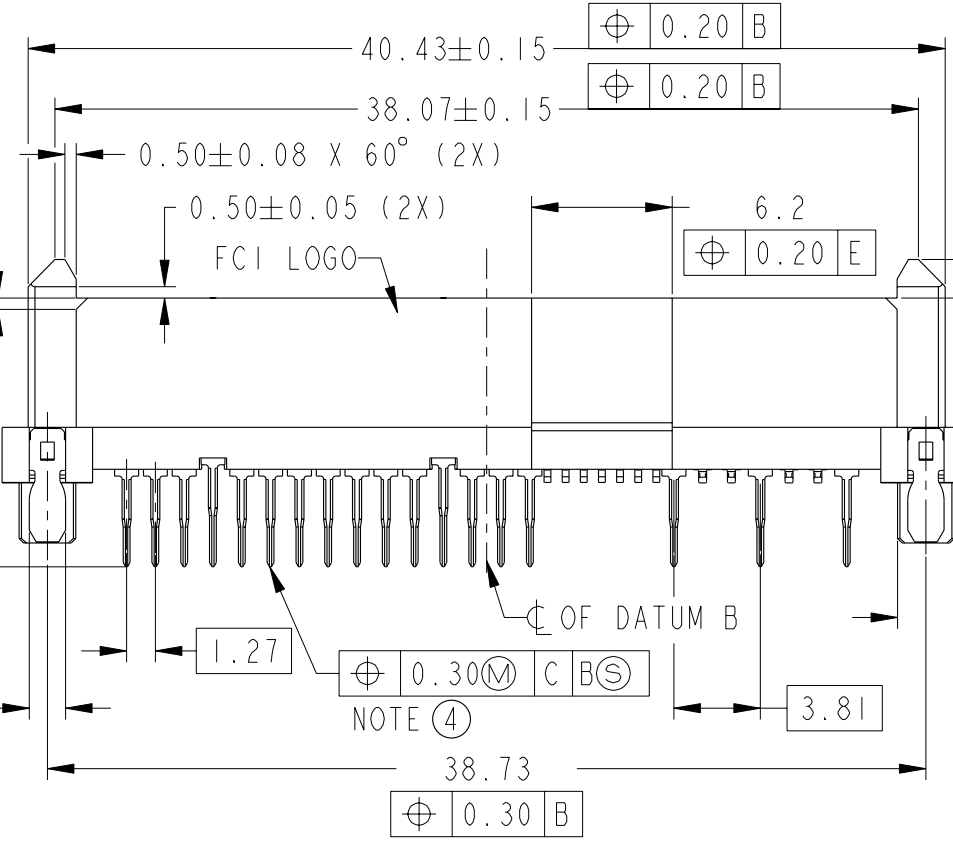
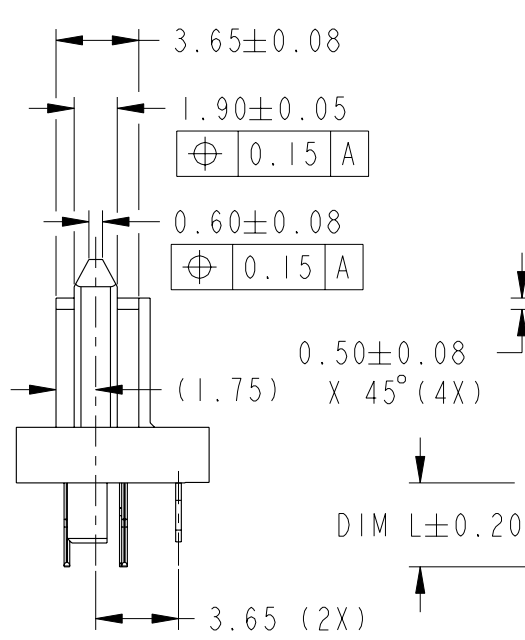
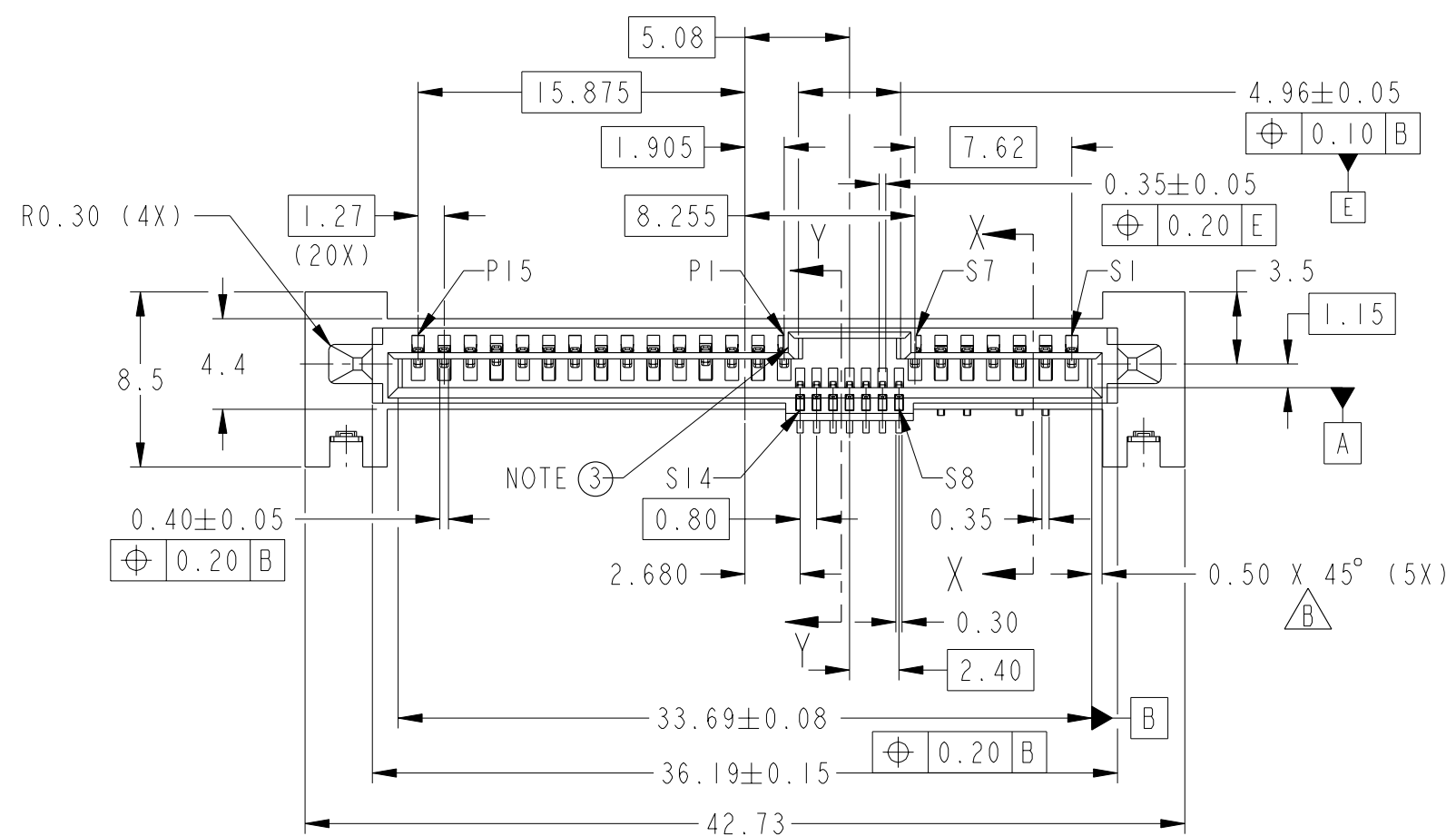


PRODUCT NO
SEE TABLE



Copyright FCI.

spec ref	-	dr	GL LOO	2006-03-06	projection	MM	size	A3	scale	3:1
tolerance std	ISO 406 ISO 1101	eng	GL LOO	2006-03-06			ecn no	S10-0228		
TOLERANCES UNLESS OTHERWISE SPECIFIED		chr	GL LOO	2010-10-28			product family	S-ATA		rel level
surface	ISO 1302	appr	JOEY NG	2010-10-28			rel level	-		
linear	0.X ±-			SAS RECEPTACLE WIDE BASE HYBRID TYPE ASSY		dwg no 10058359	rev B			
	0.XX ±0.20									
	0.XXX ±-									
angular	0° ±2°	www.fci.com		cat. no.	-	Product - Customer Drw		sheet 1 of 2		

