

PART NUMBER	COLOR	FIGURE	V _f (V)TYP.	I _f (mA)TYP.	INTENSITY (fL) * TYP.	NOTE
557-1002-203	WHITE	I	5	16	700	SUPER BRIGHT
557-1003-203	WHITE	I	12	16	700	SUPER BRIGHT
557-1005-203	WHITE	I	24	16	700	SUPER BRIGHT
557-1101-203	RED	I	REQUIRES EXTERNAL RESISTOR	40	100	
557-1103-203	RED	I	12	20	100	
557-1104-203	RED	I	28	20	100	
557-1201-203	GREEN	I	REQUIRES EXTERNAL RESISTOR	50	150	
557-1203-203	GREEN	I	12	25	150	
557-1204-203	GREEN	I	28	25	150	
557-1301-203	YELLOW	I	REQUIRES EXTERNAL RESISTOR	50	100	
557-1303-203	YELLOW	I	12	25	100	
557-1304-203	YELLOW	I	28	25	100	
557-1402-203	R/G	II	5	80/80	200/100	
557-1412-203	R/G	II	5	70/16	400/1000	SUPER BRIGHT
557-1422-203	R/B	II	5	70/16	400/250	SUPER BRIGHT
557-1432-203	Y/G	II	5	70/16	400/1000	SUPER BRIGHT
557-1442-203	Y/B	II	5	70/16	400/250	SUPER BRIGHT
557-1501-203	RED	I	REQUIRES EXTERNAL RESISTOR	40	1000	SUPER BRIGHT
557-1502-203	RED	I	5	80	1000	SUPER BRIGHT
557-1503-203	RED	I	12	20	1000	SUPER BRIGHT
557-1505-203	RED	I	24	20	1000	SUPER BRIGHT
557-1602-203	GREEN	I	5	16	1000	SUPER BRIGHT
557-1603-203	GREEN	I	12	16	1000	SUPER BRIGHT
557-1604-203	GREEN	I	28	16	1000	SUPER BRIGHT
557-1605-203	GREEN	I	24	16	1000	SUPER BRIGHT
557-1702-203	YELLOW	I	5	80	1000	SUPER BRIGHT
557-1703-203	YELLOW	I	12	20	1000	SUPER BRIGHT
557-1705-203	YELLOW	I	24	20	1000	SUPER BRIGHT
557-1802-203	BLUE	I	5	16	250	SUPER BRIGHT
557-1803-203	BLUE	I	12	16	250	SUPER BRIGHT
557-1805-203	BLUE	I	24	16	250	SUPER BRIGHT

REV.	ECN NO.	REVISIONS	DRN.	CKD.	APP.	DATE
E	—	ADDED 557-1412-203, -1422, -1432, -1442, -1502, -1602, -1603, -1605, -1702, -1703, -1705, -1802, -1803 & -1805 TO THIS DWG; ADDED FIG. II; UPDATED ELEC. CHARACTERISTICS.	TC		N.O.	7-24-98
F	—	ADDED NOTES 1 AND 2.	TC	D.C.	N.O.	5-27-99
G	—	ADDED 557-1003-203 & TITLE.	DC	Y.C.	N.O.	11-28-00
H	—	ADDED P/N 557-1604-203.	DC	Y.C.	N.O.	2-13-01
J	—	ADDED P/N 557-1002-203 & 557-1005-203	JAV			

NOTES:
1. WIRE LEADS: 24 AWG, 7/32 STRANDED, PRE-BONDED, TYPE C, MIL-W-168780.
2. DIALIGHT PART NUMBER: 557-XXXX-203.

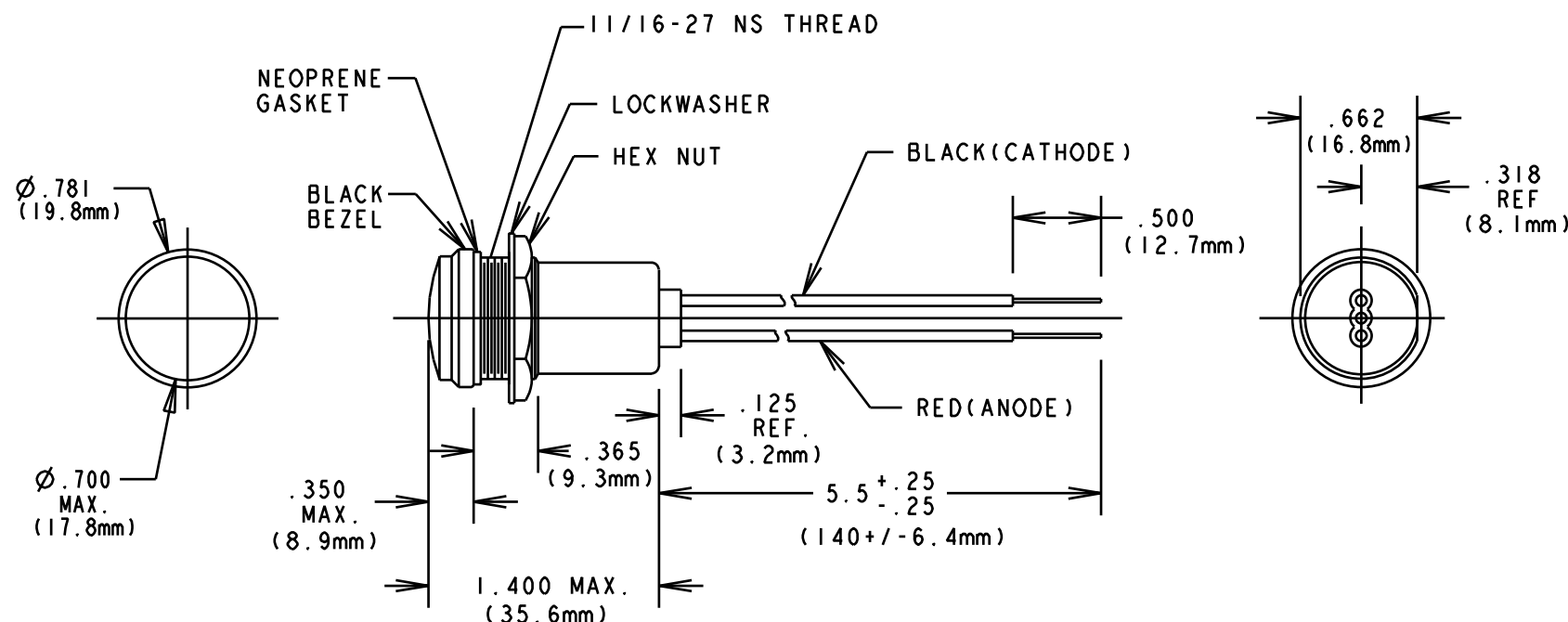
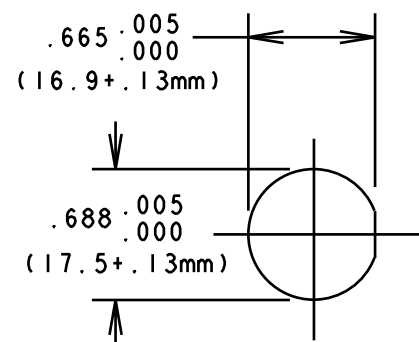


FIGURE I

* INTENSITY MEASURED IN FOOT LAMBERTS (1 fL = 3.4 cd/m²)

MAX. PANEL THICKNESS: .200
SPACING € TO €: 1.000



RECOMMENDED MOUNTING HOLE

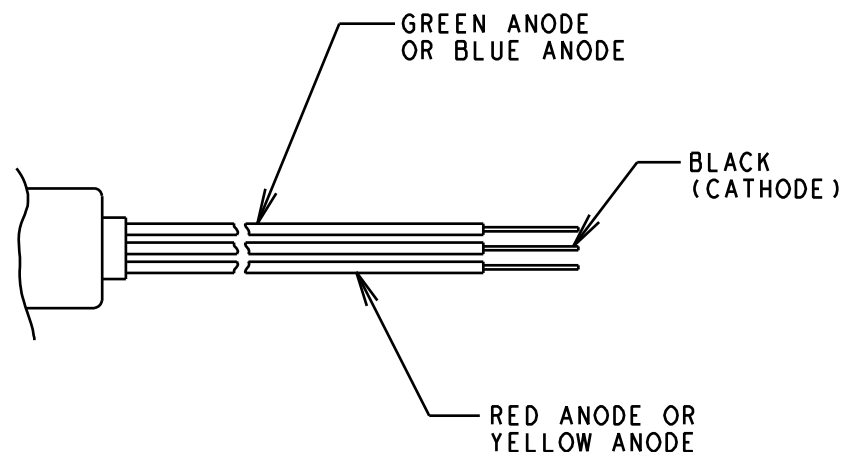


FIGURE II

THIS DRAWING AND THE CONTENTS HEREIN ARE CONFIDENTIAL AND THE SOLE PROPERTY OF DIALIGHT. REPRODUCTION OF THIS DRAWING OR CONSTRUCTION OF ANY PARTS WITHIN THIS DRAWING ARE FORBIDDEN WITHOUT THE WRITTEN CONSENT OF DIALIGHT.

SCALE 1:1	DRAWING NUMBER	REV
ALL DIM'S IN: INCHES (MM)	C-15638	J
TOLERANCES: UNLESS OTHERWISE SPECIFIED	TITLE 11/16" MOUNTING HOLE WATERTIGHT PMI	
FRACTIONS: ±1/64	MATERIAL	
DECIMALS (.XX): ±.020		
DECIMALS (.XXX): ±.015		
ANGLES: ±3°		
FINISH:	Dialight	1501 ROUTE 34 SOUTH FARMINGDALE, NJ 07727
FSCM 83330	SHEET OF	FAMILY TABLE: