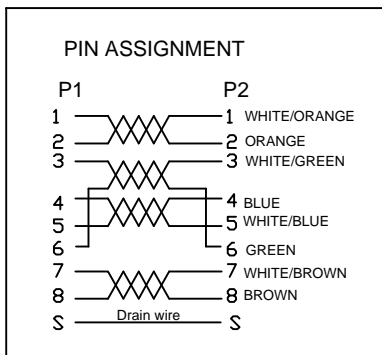


① TOLERANCE

Length(Meter)	Max-M	Mix-M
0.5	0.03	0.025
1	0.04	0.035
2	0.06	0.06
3	0.09	0.09
5	0.15	0.15
7	0.21	0.21
10	0.3	0.3
15	0.45	0.45
20	0.6	0.6
30	0.9	0.9



Order Code:

① A-MCSP-80XXX : color Grey

Order lengths in meter:

0.5,1,2,3,5,7,10,15

A-MCSP-80XXX/X

Order lengths in meter:

0.5,1,2,3,5,7,10,15

Order color:(R)Red,(Y)Yellow

(G)Green,(B)Blue

Electrical

100% short,open,miswire test

3	mold	PVC,50P	9.0	G
2	plug	8P8C plating gold 3U" with metal shield	2	PCS
1	cable	FTP (26AWG*1P)*4+D+A+PVC, OD:5.2±0.2mm	2.0	M
NO	PART NO	DESCRIPTION	QTY	UNIT

RoHS compliant
Unit:: mm

Scale	FREE					Date	Name	Customer-No.
TOLERANCE						Drawn	26.06.2015	Joanna
X.	±X					Approved	15.12.2015	Joanna
X.X	±X							
X.XX	±X							
DIM	TOL	①	Add P/N and change tolerance	15.12.2015	Joanna			
ANGLE	±X°	②	Drawn	26.06.2015	Joanna			
Angle	TOL	Id.	Modification	Date	Name			

ASSMANN WSW-No.		A-MCSP-80XXX/X	
Drawing-No.		ASS 7425 CA	
Replace	Sheet	rev01	