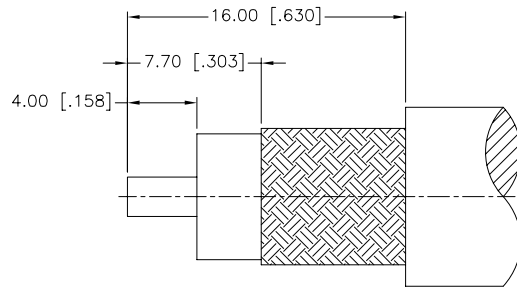
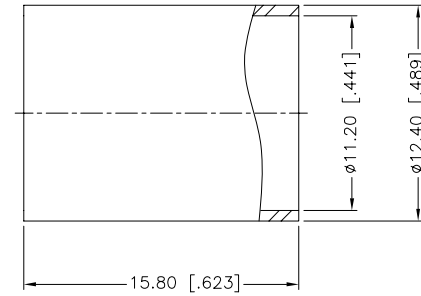
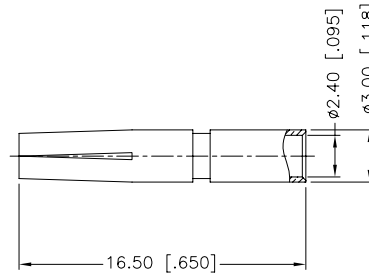
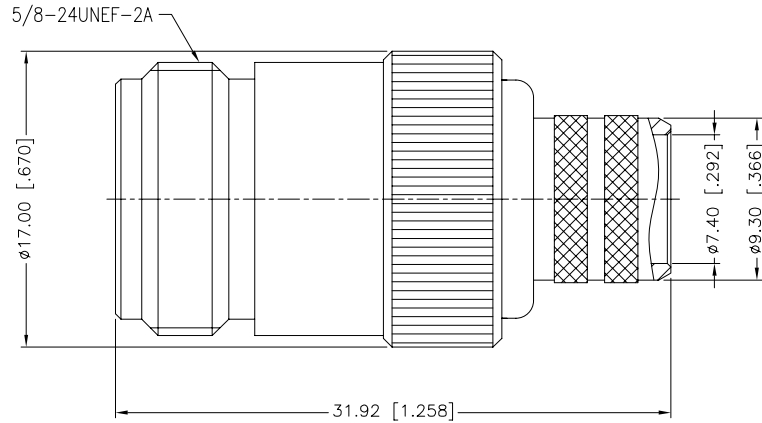


REV.	DATE	ECR NO.	DESCRIPTION
NC	09/15/09	XXXXXX	INITIAL RELEASE



RECOMMENDED
CABLE STRIPPING DIM'S

- NOTES:
1. CRIMPED FERRULE
HEX CRIMP SIZE .429"
 2. CRIMPED CONTACT PIN
HEX CRIMP SIZE .100"

UNLESS OTHERWISE SPECIFIED DIMENSIONS ARE IN MILLIMETERS. DIMENSIONS IN [] ARE IN INCHES AND FOR CUSTOMER REFERENCE ONLY.

UNLESS OTHERWISE SPECIFIED TOLERANCES FOR MILLIMETERS ARE:
0.5 - 8mm ± 0.20mm
8 - 30mm ± 0.40mm
30 - 120mm ± 0.50mm

UNLESS OTHERWISE SPECIFIED TOLERANCES FOR INCHES ARE:
.020 - .315 = ± 0.007"
.315 - 1.180 = ± 0.015"
1.180 - 4.724 = ± 0.020"

DO NOT SCALE DRAWING

APPROVALS		DATE
DRAWN	J.CHENG	09/15/09
CHECKED		
ISSUED		
SHEET	1 OF 1	
CAD FILE	C:/CONNEX/172209.DWG	

Amphenol Connex

PART DESCRIPTION			
N CRIMP JACK			
PART NO. 172209			
DWG. NO.	172209.DWG	REV.	NC
SIZE	A	SCALE	NA

DESCRIPTION	MATERIAL	FINISH	QTY
5 FERRULE	BRASS	ALBALOY	1
4 CONTACT PIN	PHOSPHOR BRONZE	GOLD	1
3 BARREL	BRASS	ALBALOY	1
2 INSULATOR	PTFE	NATURAL	1
1 BODY	BRASS	ALBALOY	1