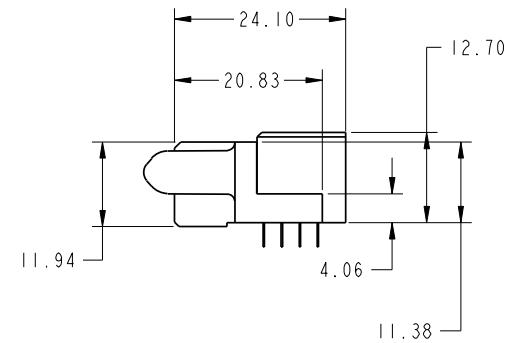
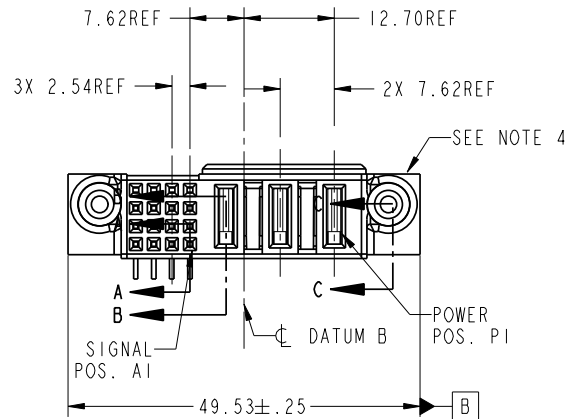


Tous droits strictement reserves. Reproduction ou communication a des tiers interdite sous quelque forme que ce soit sans autorisation écrite du propriétaire. Propriete de c FCI. Droits de reproduction FCI.



All rights strictly reserved. Reproduction or issue to third parties in any form whatever is not permitted without written authority from the proprietor. Property of FCI. Copyright FCI.

PRODUCT NO.	ROWS	SIGNAL				POWER				
		E2	4	3	2	1	P3	P2	P1	E1
51793-003-- NOTE: 3	D C B A		H G F E	H G F E	H G F E	H G F E	PG	PH	PH	



CODE	DIM "M" MATING LENGTH	CONTACT TYPE
E	[N/A]	SIGNAL
F	[N/A]	SIGNAL
G	[N/A]	SIGNAL
H	[N/A]	SIGNAL
PG	[1.07]	POWER
PH	[2.34]	POWER

mat'l code				SEE NOTE		tolerances unless otherwise specified		CUSTOMER	
lfr	ecn no.	dr	date	linear	0.X ±0.3	COPY		FCI www.fciconnect.com	
A	DG07-0199	JUL1A	05/24/07		0.XX ±0.13	projection		title 3ACP + 16S R/A SOLDER RECEPTACLE	
				angles	0.XXX ±0.051			product family PwrBlade code 213	
				dr	0° ±2°	MM		size dwg no	
				enrg		scale		A 51793-003	
				chr	JULIA WANG 05/24/07	1:1		sheet 1 of 4	
				appd	RYAN YUAN 05/24/07				
					GARY HSIEH 05/24/07				
					JOSEPH HSIA 05/24/07				
sheet index	revision sheet	A 1	A 2	A 3	A 4				

www.fciconnect.com
 title: 3ACP + 16S R/A SOLDER RECEPTACLE
 product family: PwrBlade code: 213
 size: A dwg no: 51793-003 sheet: 1 of 4
 cage code: 22526

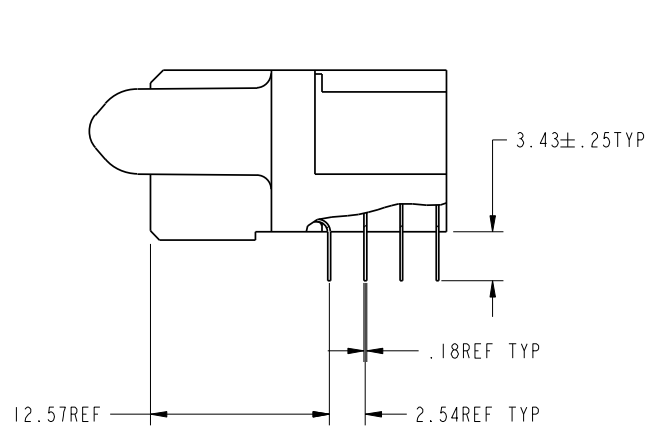
Pro/E

Tous droits strictement reserves. Reproduction ou communication a des tiers interdite sous quelque forme que ce soit sans autorisation écrite du propriétaire. Propriete de c FCI. Droits de reproduction FCI.

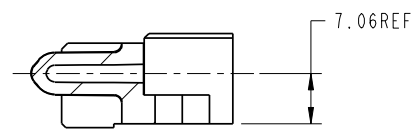


All rights strictly reserved. Reproduction or issue to third parties in any form whatever is not permitted without written authority from the proprietor. Property of FCI. Copyright FCI.

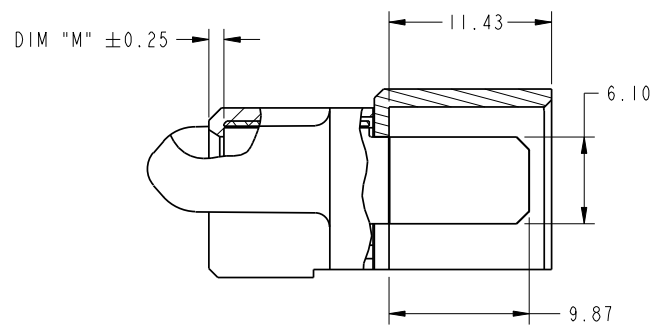
PRODUCT NUMBER
51793-003--
NOTE: 3



BROKEN-OUT SECTION A-A
SCALE 2:1



SECTION C-C



BROKEN-OUT SECTION B-B
SCALE 2:1

mat'l code				SEE NOTE		tolerances unless otherwise specified		CUSTOMER		FCI		www.fciconnect.com	
lfr	ecr no.	dr	date	linear	0.X ±0.3	projection		COPY		title			
A				angles	0.XX ±0.13			A		3ACP + 16S R/A SOLDER RECEPTACLE			
				dr	0.XXX ±0.051			MM		product family		code	
				enr	JULIA WANG 05/24/07	scale		1:1		PwrBlade		213	
				chr	RYAN YUAN 05/24/07					size		sheet	
				appd	GARY HSIEH 05/24/07					A		2 of 4	
					JOSEPH HSIA 05/24/07								
sheet index	revision sheet												

cage code 22526

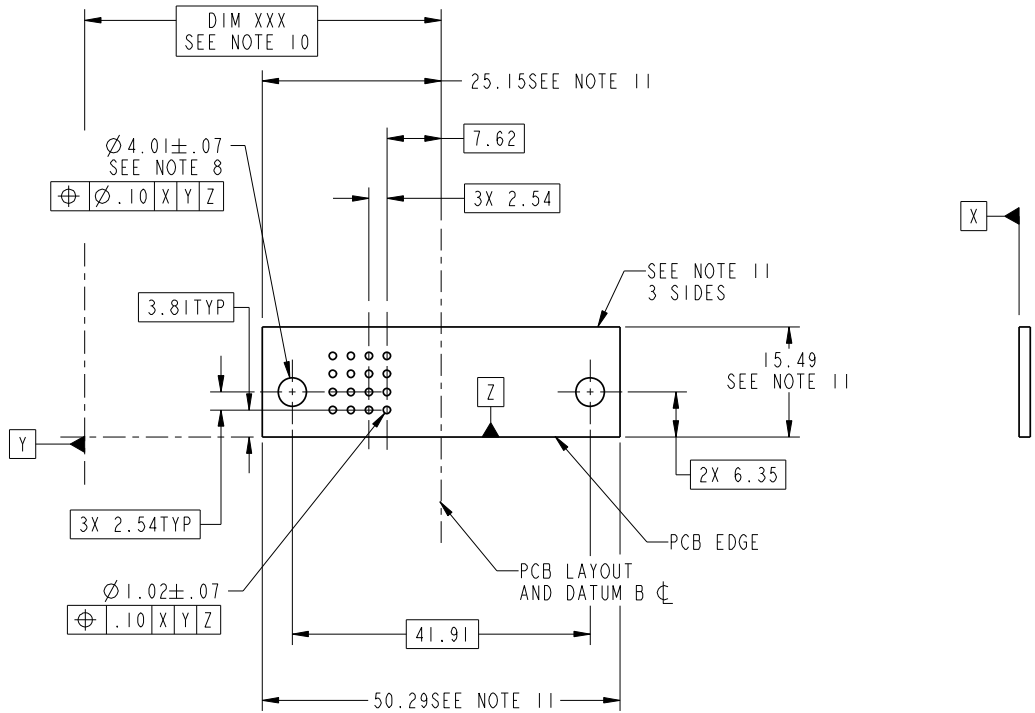
Pro/E

Tous droits strictement reserves. Reproduction ou communication a des tiers interdite sous quelque forme que ce soit sans autorisation écrite du propriétaire. Propriete de c FCI. Droits de reproduction FCI.



All rights strictly reserved. Reproduction or issue to third parties in any form whatever is not permitted without written authority from the proprietor. Property of FCI. Copyright FCI.

PRODUCT NUMBER
51793-003--
NOTE: 3



mat'l code				SEE NOTE		tolerances unless otherwise specified		CUSTOMER		FCI		www.fciconnect.com	
lir	ecr no.	dr	date	linear	0.X ± 0.3	COPY		projection		title			
A					0.XX ± 0.13					3ACP + 16S R/A SOLDER RECEPTACLE			
				angles	0° ± 2°					product family		code	
				dr	JULIA WANG 05/24/07			MM		PwrBlade		213	
				enr	RYAN YUAN 05/24/07			scale		size		sheet	
				chr	GARY HSIEH 05/24/07			1:1		dwg no		3 of 4	
				appd	JOSEPH HSIA 05/24/07					51793-003			
sheet index	revision sheet												

1 | 2

Pro/E

3 |

cage code 22526

4

Tous droits strictement reserves. Reproduction ou communication a des tiers interdite sous quelque forme que ce soit sans autorisation écrite du propriétaire. Propriété de c FCI. Droits de reproduction FCI.



All rights strictly reserved. Reproduction or issue to third parties in any form whatever is not permitted without written authority from the proprietor. Property of FCI. Copyright FCI.

PRODUCT NUMBER
51793-003__ NOTE: 3

NOTES:

1. DIMENSIONS AND TOLERANCES ARE IN ACCORDANCE WITH ASME Y14.5M, 1994 UNLESS OTHERWISE SPECIFIED.

CONNECTOR NOTES:

- 2. HOUSING MATERIAL: UL 94 V-0 GLASS FILLED
HIGH-TEMP THERMOPLASTIC
POWER CONTACT MATERIAL: COPPER ALLOY
SIGNAL PIN MATERIAL: COPPER ALLOY
- 3. PLATING:
51793-003,51793-003LF PLATING SPEC. WAS SHOWN IN THE PRINT OF 10064183.
- 4. MANUFACTURER'S NAME, P/N, AND DATE CODE TO APPEAR ON THIS SURFACE.

5. PRODUCT SPECIFICATION GS-12-149.
APPLICATION SPECIFICATION BUS-20-067.

6. PACKAGED IN TRAYS.

PCB NOTES:

- 7. ALL HOLE DIAMETERS ARE FINISHED HOLE SIZE.
- 8. MOUNTING HOLES, WHERE APPLICABLE, ARE UNPLATED.
- 9. $\varnothing 1.151 \pm 0.025$ DRILLED HOLES PLATED WITH 0.008 MIN SnPb OR Sn OVER 0.03 TO 0.08 Cu PLATING TO ACHIEVE $\varnothing 1.02 \pm .07$ HOLE.
- 10. "DIM XXX" TO BE DETERMINED BY THE CUSTOMER.
- 11. CONNECTOR KEEP-OUT ZONE.

mat'l code				SEE NOTE		tolerances unless otherwise specified		CUSTOMER		FCI		www.fciconnect.com	
lfr	ecm no.	dr	date	linear	0.X ± 0.3	COPY		projection		title			
A					0.XX ± 0.13					3ACP + 16S R/A SOLDER RECEPTACLE			
				angles	0° ± 2°					product family		PwrBlade	code
				dr	JULIA WANG	05/24/07			scale		size	dwg no	213
				enrg	RYAN YUAN	05/24/07			1:1		A	51793-003	sheet
				chr	GARY HSIEH	05/24/07							4 of 4
				appd	JOSEPH HSIA	05/24/07							
sheet index		revision sheet											

cage code 22526

Pro/E