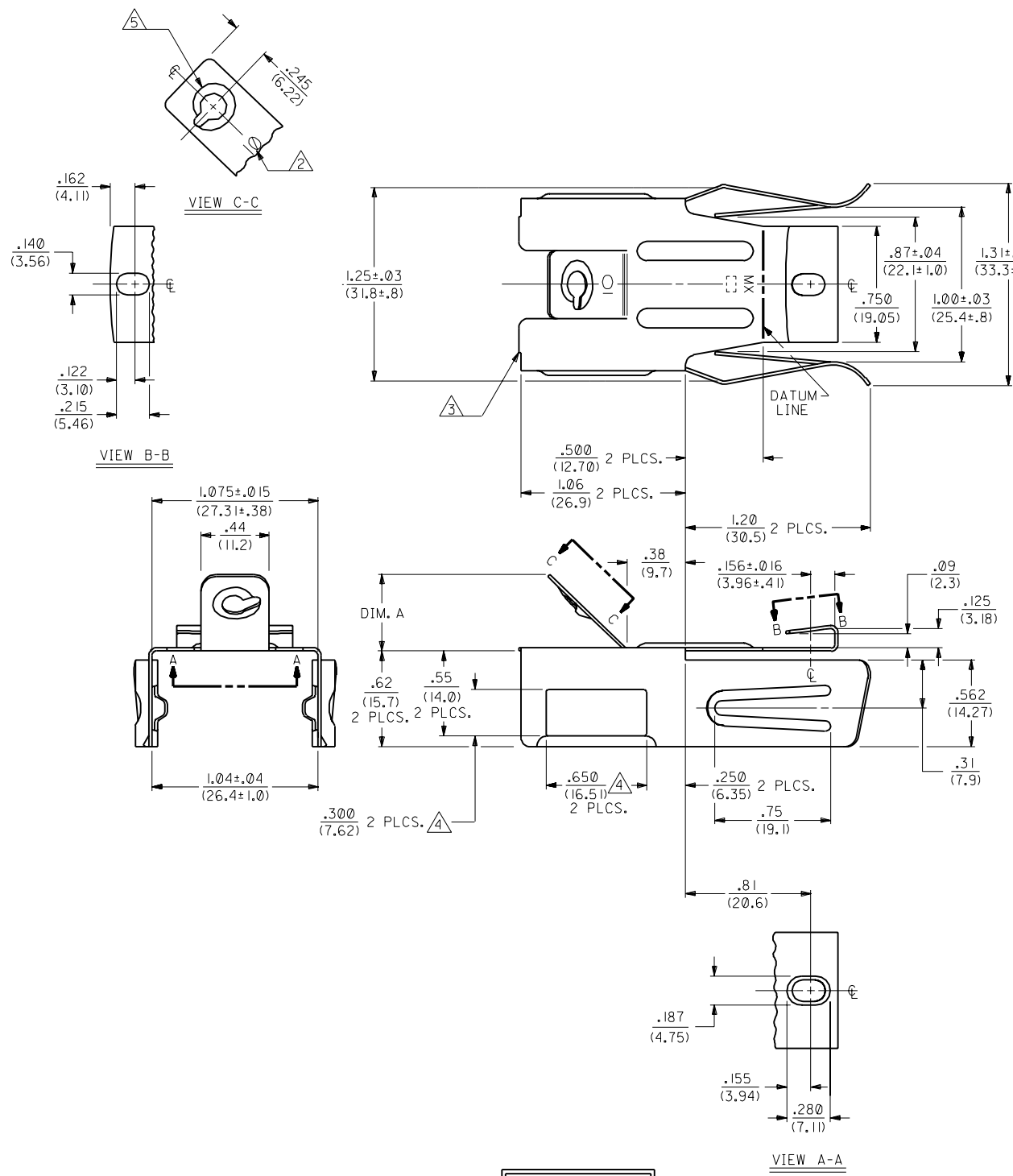


NOTES:

- 1. THESE MOUNTING CLIPS ARE FOR HOLDING THE 2481 SERIES HOUSINGS TO THE MAIN PANEL TOPS OF ELECTRIC RANGES.
- 2. SCREW SIZE INDICATION.
- 3. .015/(.38) MAXIMUM CUT OFF.
- 4. .010/(.25) MAXIMUM MISMATCH.
- 5. THREAD FORM FOR A #10-32 SCREW.
- 6. THIS SURFACE MAY BE FORMED IN THIS DIRECTION A MAXIMUM OF 5°.



2589-ID-10

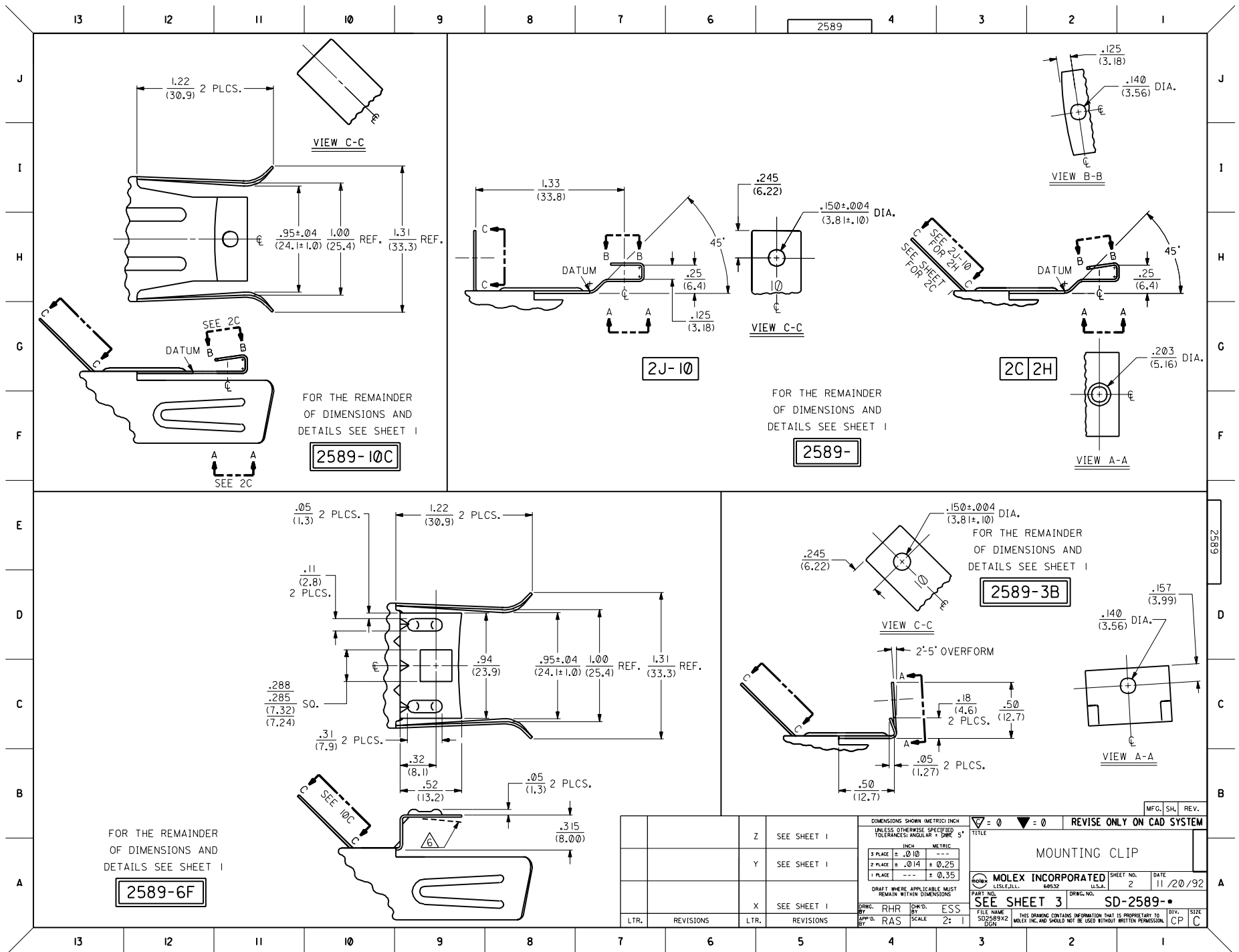
MATERIAL:

STEEL, STAINLESS, TYPE 301, .020/(.5) THICK.

AC	OBSOLETED P/N UCR2002-0255 01/9/12 COMERCI
AB2	REMOVED NOTCH UCR2000-0104 8/11/99 COMERCI
AB1	REV. RADII UCR2000-0086 8/05/99 COMERCI
AB	REVISED UCR 1999-0818 6/03/99 ELHAG
AA	REVISED ECN U4 0744 6/16/94 RHR
Z	REVISED ECN U4 0213 2/14/94 RHR
Y	REVISED ECN U3 0739 5/13/93 RHR
X	REDRAWN & REDIM. ECN U2 1712 11/25/92 RHR

3	AB
2	Z
1	AC

DIMENSIONS SHOWN (METRIC) INCH UNLESS OTHERWISE SPECIFIED TOLERANCES ANGULAR ± DMS 5°		▽ = 0 ▽ = 0		REVISE ONLY ON CAD SYSTEM									
<table border="1"> <tr> <th>INCH</th> <th>METRIC</th> </tr> <tr> <td>3 PLACE ± .010</td> <td>---</td> </tr> <tr> <td>2 PLACE ± .014</td> <td>± 0.25</td> </tr> <tr> <td>1 PLACE ---</td> <td>± 0.35</td> </tr> </table>		INCH	METRIC	3 PLACE ± .010	---	2 PLACE ± .014	± 0.25	1 PLACE ---	± 0.35	TITLE MOUNTING CLIP			
INCH	METRIC												
3 PLACE ± .010	---												
2 PLACE ± .014	± 0.25												
1 PLACE ---	± 0.35												
DRAFT WHERE APPLICABLE MUST REMAIN WITHIN DIMENSIONS		PART NO. SEE SHEET 3		SHEET NO. DATE 1 of 3 11/20/92									
DRWG. BY RHR CHK'D BY ESS		MATERIAL STEEL, STAINLESS, TYPE 301, .020/(.5) THICK.		DIV. CP									
APP'D BY RAS SCALE 2: 1		FILE NAME SD2589X1		THIS DRAWING CONTAINS INFORMATION THAT IS PROPRIETARY TO MOLEX INC. AND SHOULD NOT BE USED WITHOUT WRITTEN PERMISSION.									



FOR THE REMAINDER OF DIMENSIONS AND DETAILS SEE SHEET I

2589-10C

FOR THE REMAINDER OF DIMENSIONS AND DETAILS SEE SHEET I

2589-

FOR THE REMAINDER OF DIMENSIONS AND DETAILS SEE SHEET I

2589-3B

FOR THE REMAINDER OF DIMENSIONS AND DETAILS SEE SHEET I

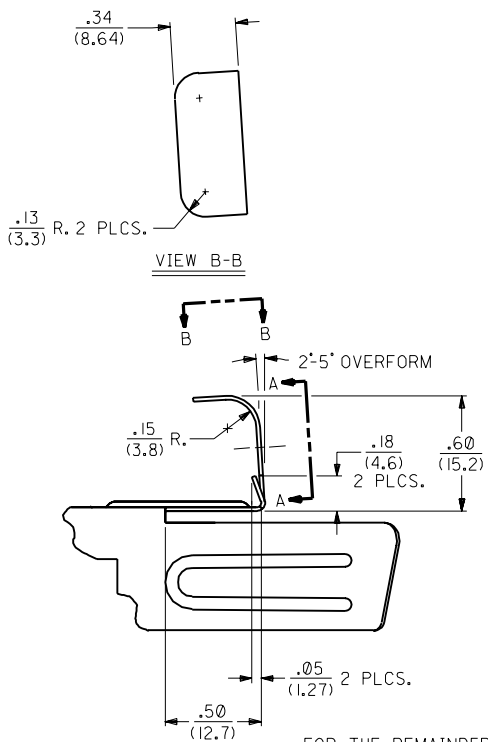
2589-6F

LTR.		REVISIONS		LTR.		REVISIONS	
		Z	SEE SHEET I				
		Y	SEE SHEET I				
		X	SEE SHEET I				

DRG. BY: RHR		CHK'D. BY: ESS	MFG. SH. REV.	
APP'D. BY: RAS		SCALE: 2:1	REVISE ONLY ON CAD SYSTEM	

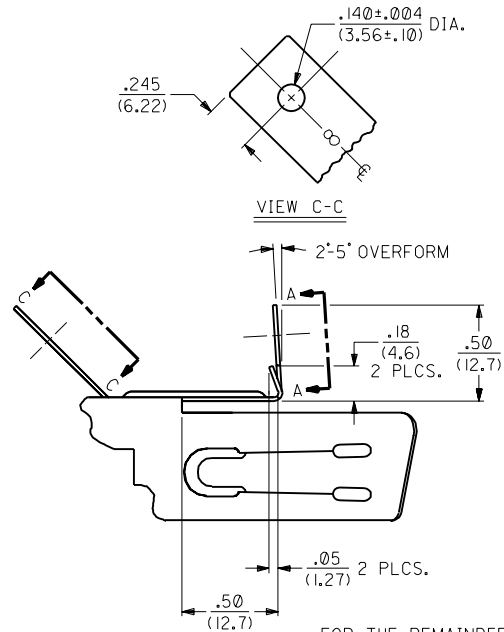
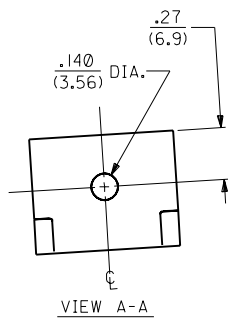
DIMENSIONS SHOWN (METRIC) INCH UNLESS OTHERWISE SPECIFIED TOLERANCES: ANGULAR ± .005°		TITLE	
3 PLACE ± .010	---	MOUNTING CLIP	
2 PLACE ± .014	± 0.25	MOLEX INCORPORATED SHEET NO. 2 DATE 11/20/92	
1 PLACE ---	± 0.35	LITTLE, JILL. U.S.A. 69532	
DRAFT WHERE APPLICABLE MUST REMAIN WITHIN DIMENSIONS		PART NO. SD-2589-*	
FILE NAME: SD2589X2		DRAWING NO. CP C	
THIS DRAWING CONTAINS INFORMATION THAT IS PROPRIETARY TO MOLEX INC. AND SHOULD NOT BE USED WITHOUT WRITTEN PERMISSION.			

PART NO.	ENG. NO.	DIMENSION	
		A	
089-00-2006	2589-ID-10	.48±.025 (12.2±.64)	
089-00-2022	2589-2C	.53±.025 (13.5±.64)	
089-00-2025	2589-2H	.656±.025 (16.66±.64)	
089-00-2027	2589-2J-10	.562±.025 (14.27±.64)	
089-00-2041	2589-3B	.48±.025 (12.2±.64)	
089-00-2047	2589-6F	.375±.015 (9.53±.38)	
089-00-2100	2589-10C	.48±.025 (12.2±.64)	
089-00-2101	2589-21A	.62±.025 (15.7±.64)	OBSOLETE
089-00-2103	2589-23	.62±.025 (15.7±.64)	



FOR THE REMAINDER
OF DIMENSIONS AND
DETAILS SEE SHEET I

2589-23



FOR THE REMAINDER
OF DIMENSIONS AND
DETAILS SEE SHEET I

2589-21A **OBSOLETE**

LTR.		REVISIONS		LTR.		REVISIONS	
		AA	SEE SHEET I				
		Z	SEE SHEET I				
AB	SEE SHEET I	X	SEE SHEET I				
LTR.	REVISIONS	LTR.	REVISIONS				

DIMENSIONS SHOWN (METRIC) INCH UNLESS OTHERWISE SPECIFIED TOLERANCES: ANGULAR ± 5°		▽ = 0	▼ = 0	REVISE ONLY ON CAD SYSTEM												
<table border="1"> <thead> <tr> <th></th> <th>INCH</th> <th>METRIC</th> </tr> </thead> <tbody> <tr> <td>3 PLACE</td> <td>± .010</td> <td>---</td> </tr> <tr> <td>2 PLACE</td> <td>± .014</td> <td>± 0.25</td> </tr> <tr> <td>1 PLACE</td> <td>---</td> <td>± 0.35</td> </tr> </tbody> </table>			INCH	METRIC	3 PLACE	± .010	---	2 PLACE	± .014	± 0.25	1 PLACE	---	± 0.35	TITLE		
	INCH	METRIC														
3 PLACE	± .010	---														
2 PLACE	± .014	± 0.25														
1 PLACE	---	± 0.35														
DRAWING INFORMATION		MOUNTING CLIP														
DRAFT WHERE APPLICABLE MUST REMAIN WITHIN DIMENSIONS DRWG. BY: RHR CHK'D. BY: ESS APP'D. BY: RAS SCALE: 2: 1		MOLEX INCORPORATED SHEET NO. 3 DATE 2/24/93 L15LEJLL 69532 U.S.A. SEE CHART SD-2589- FILE NAME: SD2589X3 DIV. CP														
THIS DRAWING CONTAINS INFORMATION THAT IS PROPRIETARY TO MOLEX INC. AND SHOULD NOT BE USED WITHOUT WRITTEN PERMISSION.		SIZE: CP C														

MFG. SH. REV.

2589