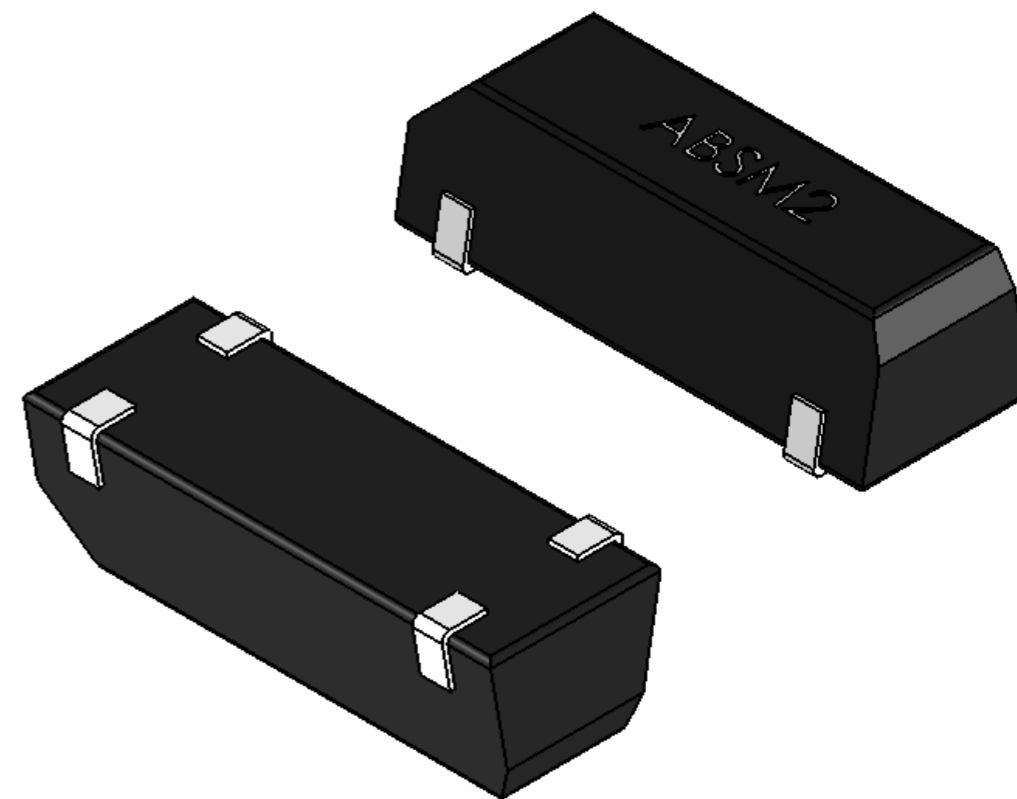
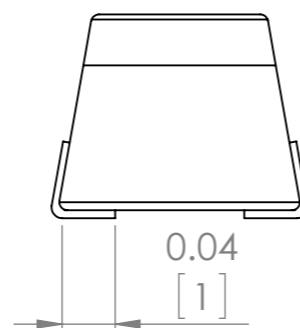
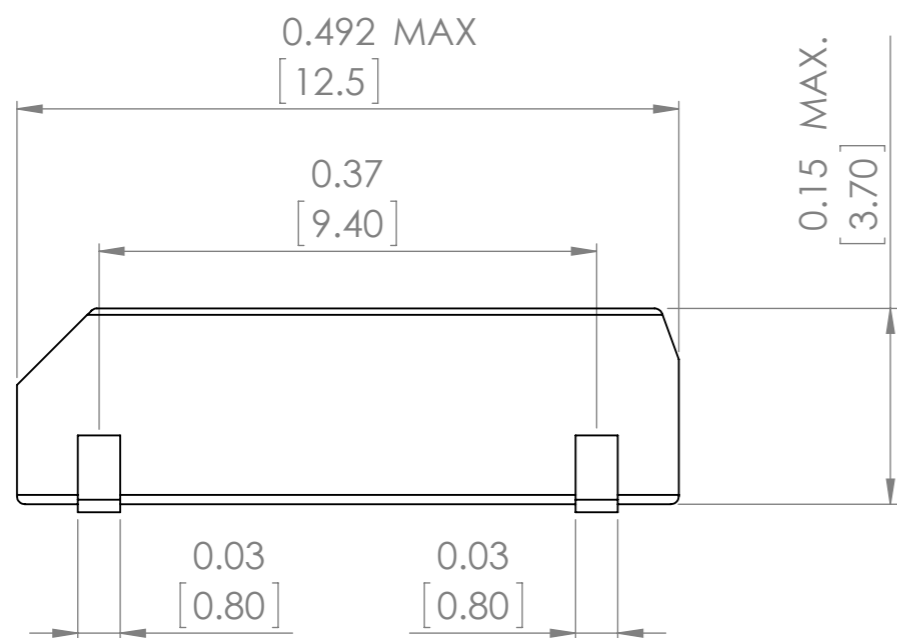
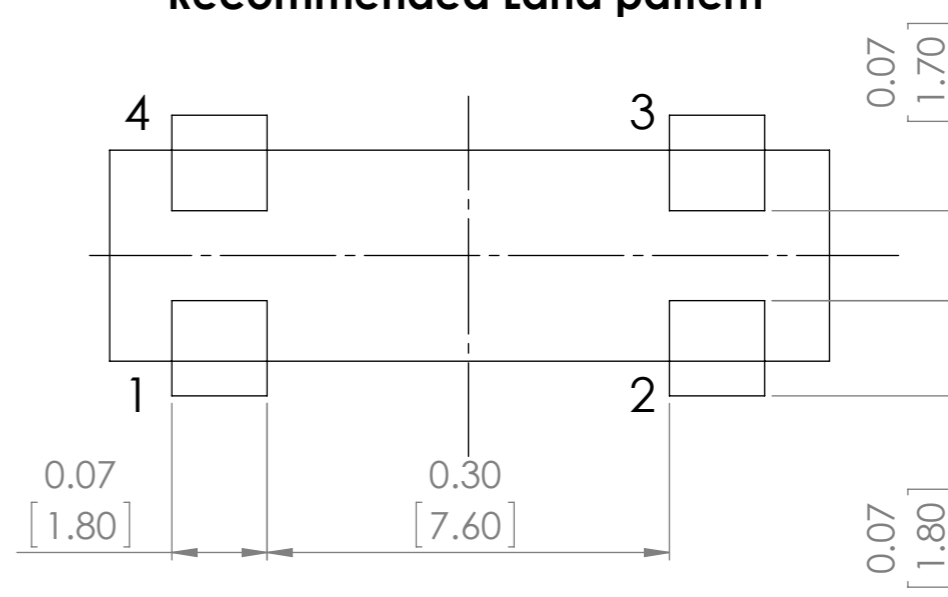



Electrode Arrangement

Recommended Land pattern



| | | | | | | | | | | | |
|--|--|--|--|-----------|--|-----------------------------------|--|--|--|------------|--|
| UNLESS OTHERWISE SPECIFIED: DIMENSIONS ARE IN INCH(MM) SURFACE FINISH: TOLERANCES: LINEAR: ANGULAR: | | | | FINISH: | | DEBUR AND BREAK SHARP EDGES | | DO NOT SCALE DRAWING | | REVISION - | |
| DRAWN SAAZVAT | | | | SIGNATURE | | DATE | |  30332 Esperanza, Rancho Santa margarita, California 92688 | | | |
| CHK'D XXXXXX | | | | | | | | | | | |
| APPV'D | | | | | | | | TITLE: CRYSTAL | | | |
| MFG | | | | | | | | DWG NO. ABSM2 | | | |
| Q.A | | | | | | MATERIAL: | | SCALE:7:1 | | | |
| | | | | | | WEIGHT: | | SHEET 1 OF 1 | | | |

A3