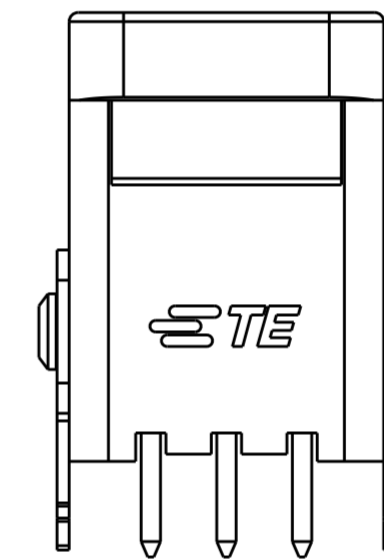
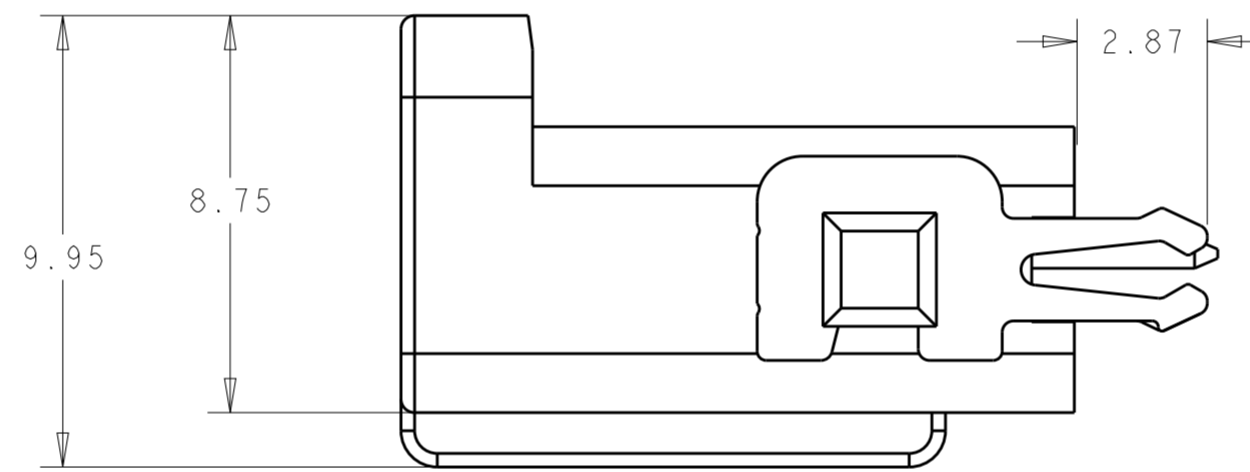
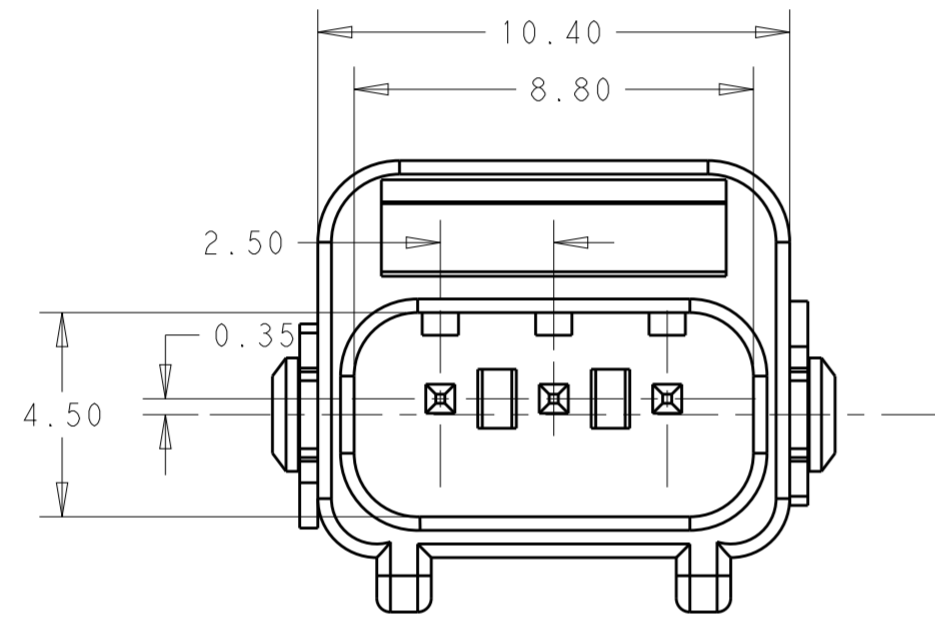
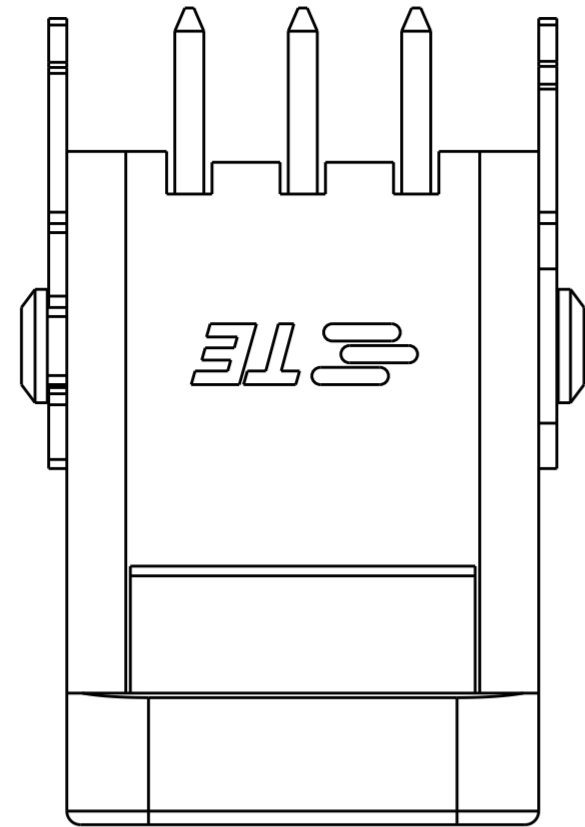


THIS DRAWING IS UNPUBLISHED. RELEASED FOR PUBLICATION
 © COPYRIGHT copyright.d8te- ALL RIGHTS RESERVED.

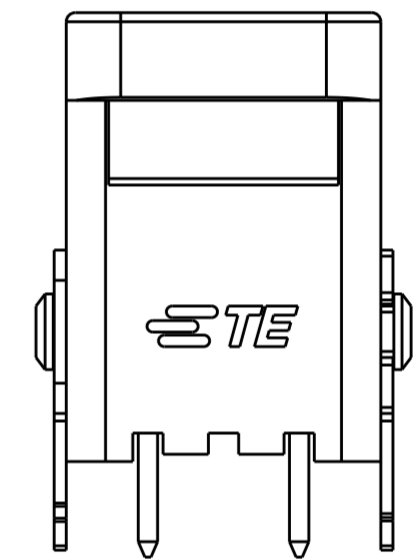
REVISIONS					
P	LTR	DESCRIPTION	DATE	DWN	APVD
	A	FIRST VERSION	25APR2017	G.F	S.M
	A1	ECR-17-015236: ADD COLOR P/N	16OCT2017	G.F	S.M
	A2	ECR-18-009817	25JUN2018	G.F	S.M

NOTES :

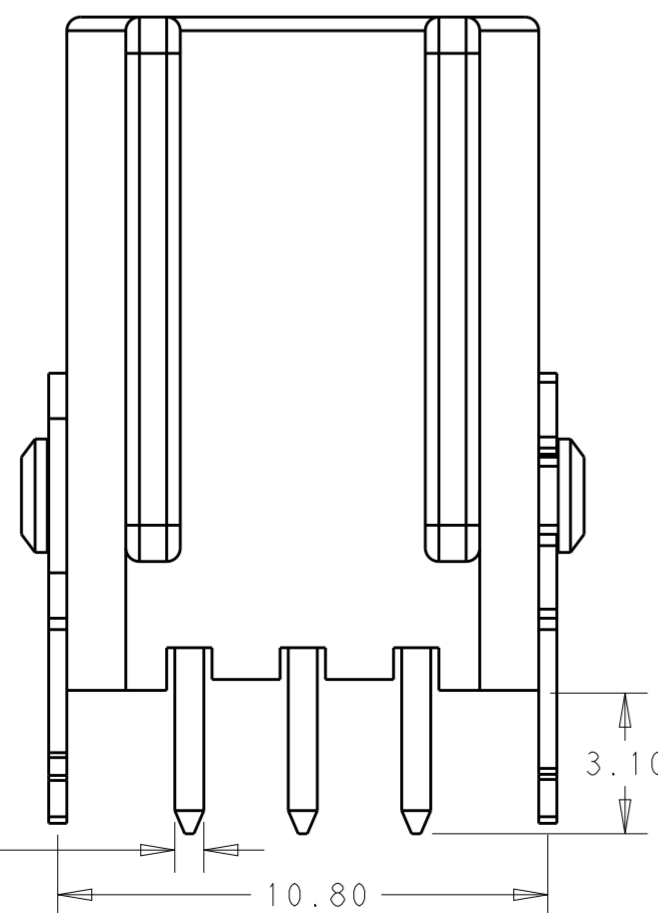
- MATERIALS AND FINISH:
 - HOUSING: HIGH THERMOPLASTIC
 - CONTACTS: COPPER ALLOY, FINISH: TIN OVER NICKEL UNDERPLATE
- MUST COMPLY WITH DIRECTIVE 2002/95/EC (ROHS)
- PACKAGED IN TRAY



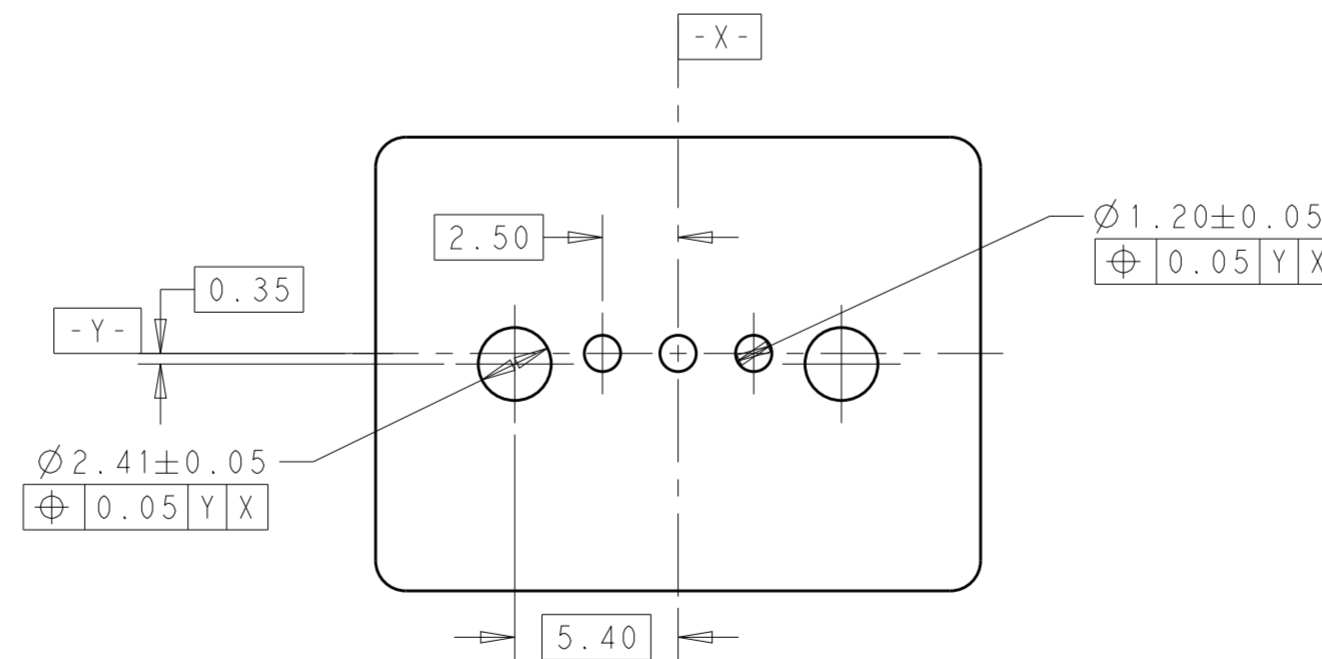
3P: *-2834237-1



2P: *-2834237-2



SCALE 6:1



PCB LAYOUT

COLOR	PART NO	POSITION
WHITE	5-2834237-2	2P
GRAY	4-2834237-2	
RED	3-2834237-2	
BLACK	2-2834237-2	3P
NATURAL	1-2834237-2	
WHITE	5-2834237-1	
GRAY	4-2834237-1	3P
RED	3-2834237-1	
BLACK	2-2834237-1	
NATURAL	1-2834237-1	
COLOR	PART NO	POSITION

THIS DRAWING IS A CONTROLLED DOCUMENT.		DWN: GEORGE FU 16OCT2017	TE Connectivity	
DIMENSIONS: mm		CHK: GEORGE FU 16OCT2017		
TOLERANCES UNLESS OTHERWISE SPECIFIED:		APVD: SHI MING 16OCT2017	NAME: 2.5mm PITCH VERTICAL TH WtoB CONN.	
0 PLC ±	1 PLC ±0.20	PRODUCT SPEC: 108-137266	SIZE: A2	
2 PLC ±0.15	3 PLC ±	APPLICATION SPEC: 114-137266	CAGE CODE: C-2834237	
4 PLC ±	ANGLES ±	WEIGHT: -	DRAWING NO: C-2834237	
FINISH	NOTE 1	CUSTOMER DRAWING	RESTRICTED TO: A2	
SCALE: 4:1		SHEET: 1 OF 1		REV: A2