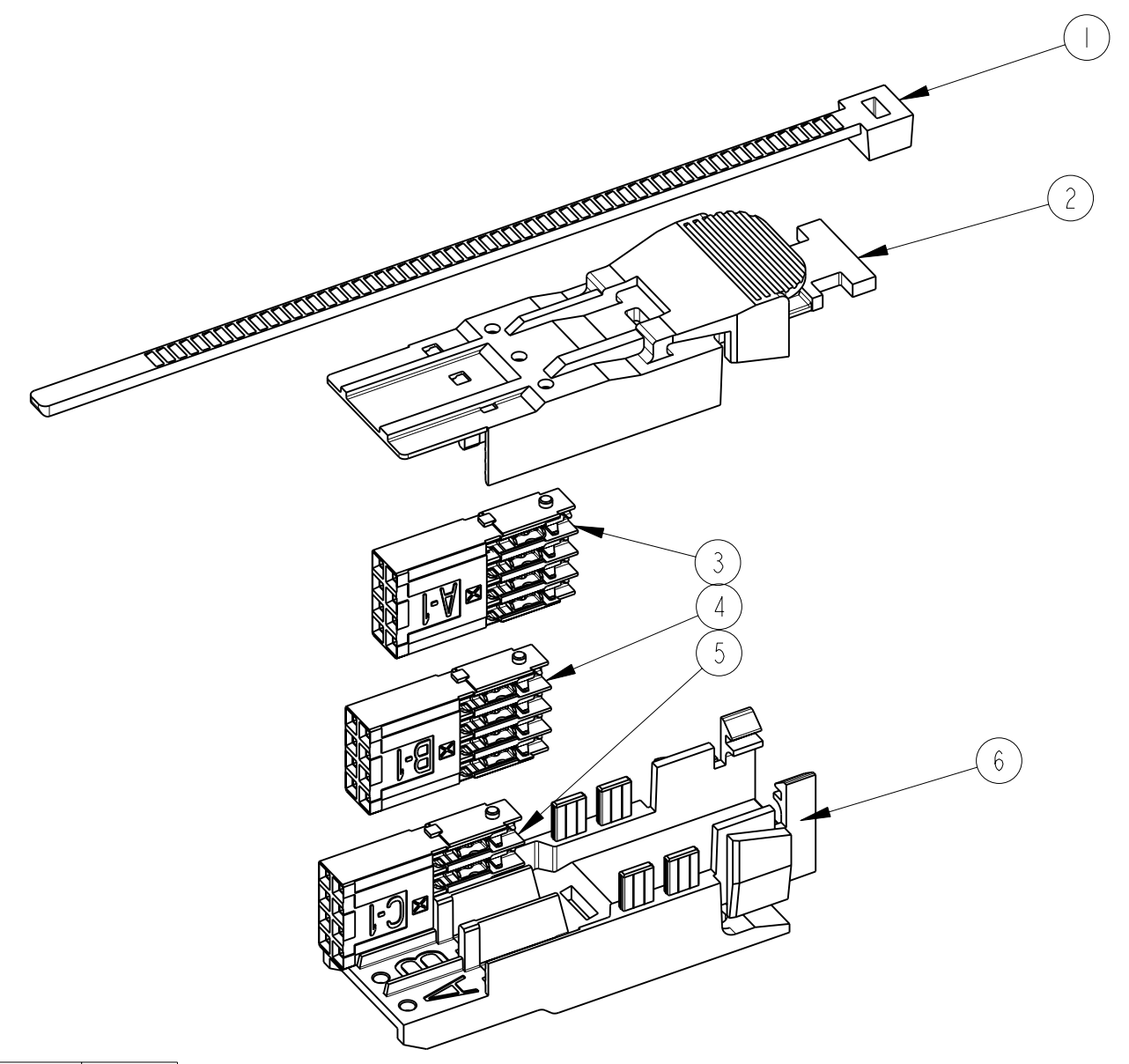
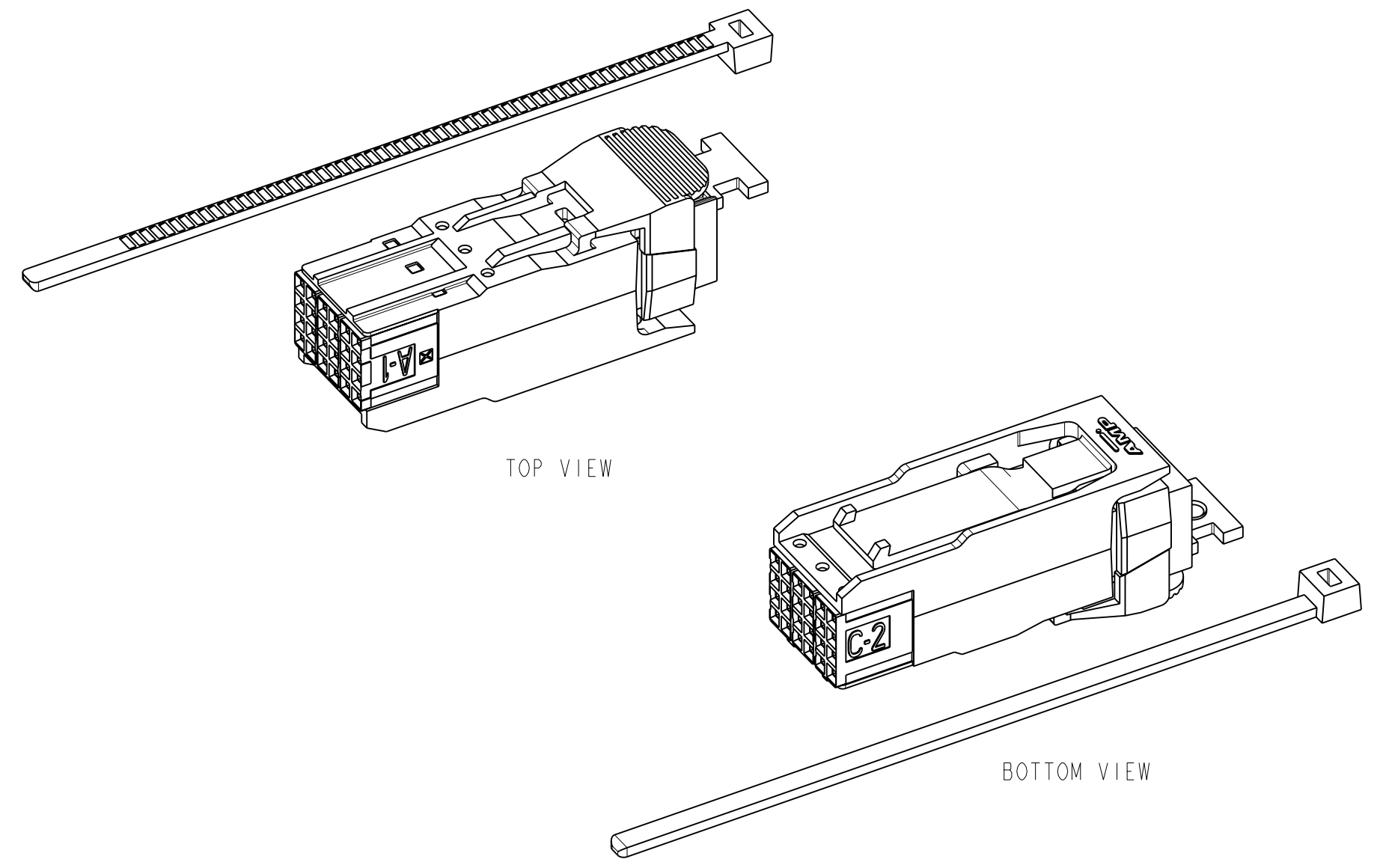
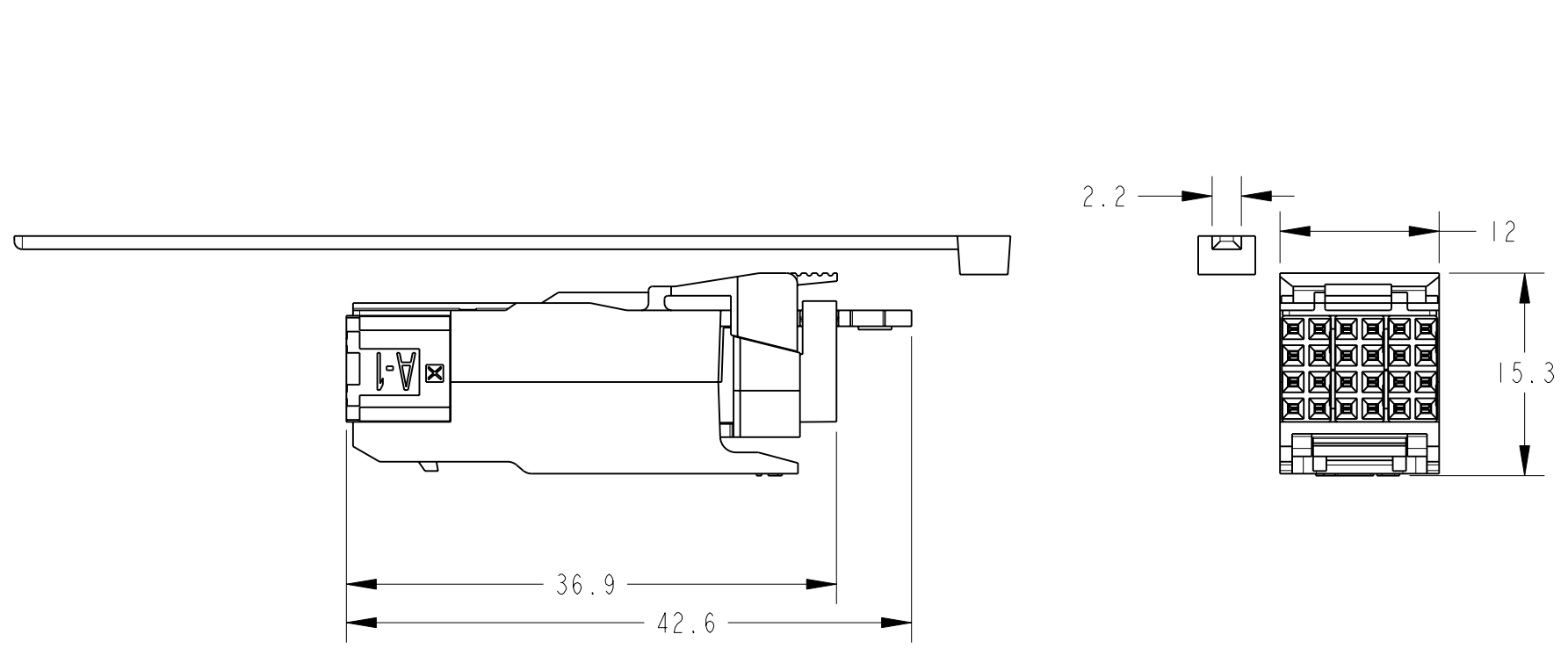


THIS DRAWING IS UNPUBLISHED. RELEASED FOR PUBLICATION 2009
 © COPYRIGHT 2009 BY TYCO ELECTRONICS CORPORATION. ALL INTERNATIONAL RIGHTS RESERVED.

LOC		DIST		REVISIONS			
P	LTR	DESCRIPTION	DATE	DWN	APVD		
E		EH01-0803-03	07JUL03	-	MVE		
F		ECR-06-015204	22JUN2006	-	JB		
FI		ECR-10-001213	09APR10	RK	SRE		



NOTES

1. THE CONNECTOR CONTAINS 3 MODULES OF 2X4 CONTACTS FORMING A 2MM CONTACT GRID.
2. THE CONNECTOR MATES WITH Z-PACK 2mm FUTUREBUS+ RECEPTACLE ASSEMBLIES ACCORDING TO SPECIFICATION IEC61076-4-104
3. MATERIALS:
 MODULE HOUSING: LIQUID CRISTAL POLYMER
 TOP COVER, CABLE TIE: POLYAMIDE
 SIGNAL CONTACT: PHOSPHOR BRONZE
 BOTTOM COVER SUBASSY :
 BOTTOM COVER : POLYAMIDE
 LATCH : LIQUID CRYSTAL POLYMER
4. PLATING OF SIGNAL CONTACTS:
 2.0 µm min. GOLD OVER 1.25 µm min. NICKEL IN CONTACT AREA.
 1.0 µm min. TIN OVER 1.25 µm min. NICKEL IN TERMINATION AREA.
5. PACKAGING PER COMPONENT: BULK OF 100 PIECES.
 CONNECTOR KITS ARE SUPPLIED IN QUANTITY OF 500 PIECES PER SHIPPING BOX.
6. 6.0 MM. MAX. OUTER CABLE DIAMETER.

OBSOLETE	AWG 26-24	4	1-338914-1
	AWG 30-26		338914+
	WIRE SIZE		PART NUMBER

QTY	DESCRIPTION	ITEM NO.
1	BOTTOM COVER SUBASSY	6
1	MODULE C1/C2	5
1	MODULE B1/B2	4
1	MODULE A1/A2	3
1	TOP COVER	2
1	CABLE TIE	1

<small>THIS DRAWING IS A CONTROLLED DOCUMENT FOR TYCO ELECTRONICS CORPORATION IT IS SUBJECT TO CHANGE AND THE CONTROLLING ENGINEERING ORGANIZATION SHOULD BE CONTACTED FOR THE LATEST REVISION.</small>		DWN V.KOUTSOUMPEA CHK B.MOOLJ APVD - PRODUCT SPEC 108-19196 APPLICATION SPEC 114-19047 WEIGHT - CUSTOMER DRAWING	Tyco Electronics Corporation 's-Hertogenbosch, Nederland NAME Z-PACK 2mm FB+ UNSHIELDED CABLE CONNECTOR 24 POS. KIT SIZE A2 CAGE CODE 00779 DRAWING NO. C-338914 RESTRICTED TO - SCALE 2:1 SHEET 1 OF 1 REV FI
---------------------------------------------------------------------------------------------------------------------------------------------------------------------------------------------------------	--	------------------------------------------------------------------------------------------------------------------------------------	-------------------------------------------------------------------------------------------------------------------------------------------------------------------------------------------------------------------------------------------