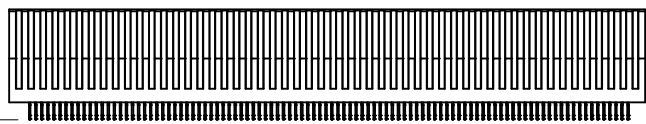


PART NUMBER	VERSION	BAY 1/BAY 2	TOTAL CIRCUITS	DIM A	SALES DRAWING (SEE NOTE 8)
170673-2278	2 BAY	146/132	278	118.63	SD-170673-2278
170673-1200	1 BAY	200	200	84.20	SD-170673-1200
170673-2108	2 BAY	86/22	108	50.63	SD-170673-2108
170673-2080	2 BAY	52/28	80	39.43	SD-170673-2080
170673-1046	1 BAY	46	46	22.60	SD-170673-1046

2 BAY EDGELINE



1 BAY EDGELINE



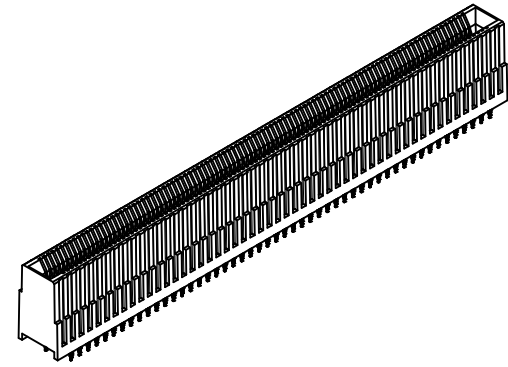
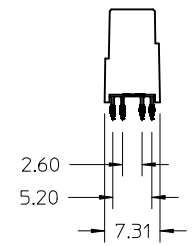
LAST CIRCUIT



FIRST CIRCUIT

NOTES:

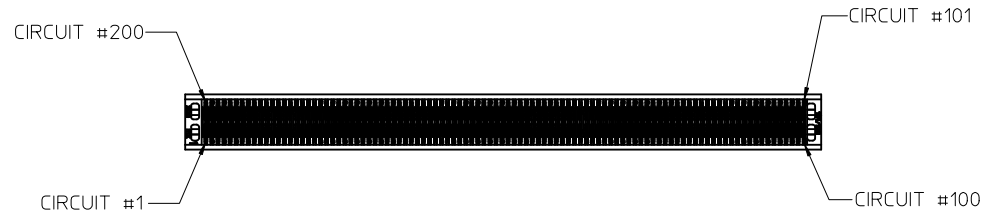
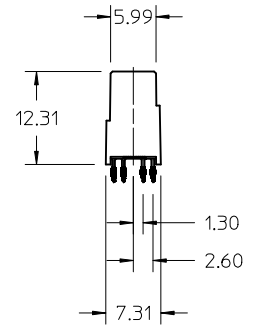
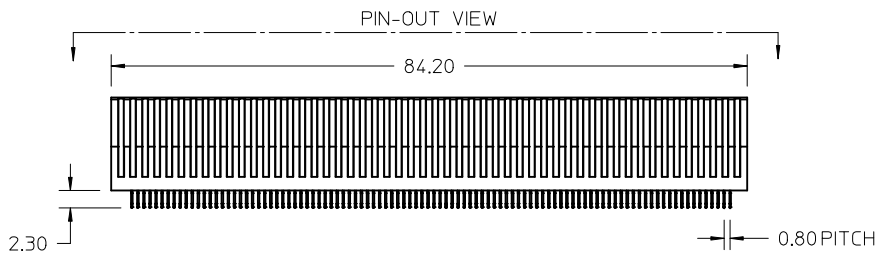
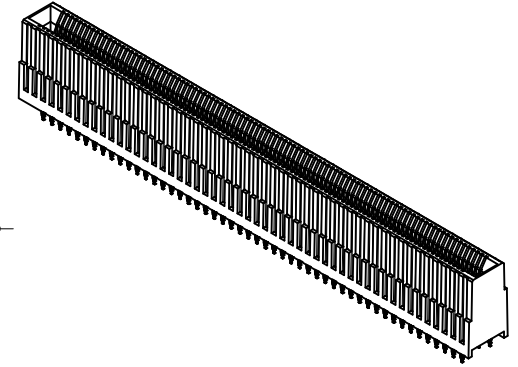
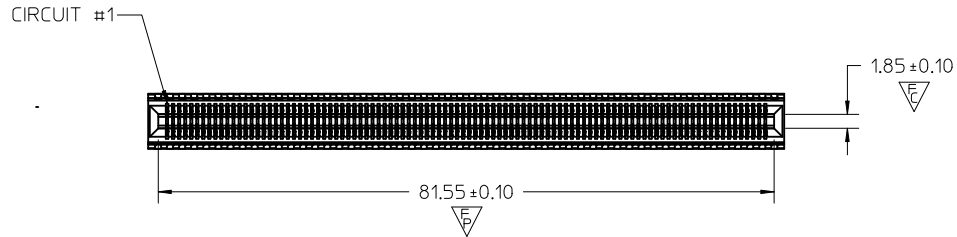
- MATERIAL:
HOUSING - GLASS FILLED THERMOPLASTIC, 94-V0, BLACK
TERMINALS - COPPER ALLOY
- FINISH:
CONTACT AREA: HARD GOLD -0.76μm MIN OVER 3.80μ NICKEL
COMPLIANT AREA: TIN - 0.76/1.52μm OVER NICKEL
- REFER TO PS-75594-999 PRODUCT SPECIFICATION FOR ALL ELECTRICAL, MECHANICAL AND ENVIRONMENTAL SPECIFICATIONS.
- PROCESSING: PRESSFIT TO PC BOARD.
- MATING PC BOARD THICKNESS = 1.60±0.16MM OVER CONTACT PADS.
- PRODUCT IS ELV AND RoHS COMPLIANT. LEVEL OF COMPLIANCE: 6/6
ALL BANNED SUBSTANCES ARE REMOVED:
Pb (LEAD)
HEXAVALENT CHROMIUM (CrVI)
CADMIUM
MERCURY
POLYBROMINATED BIPHENYL (PBB)
POLYBROMINATED DIPHENYL ETHER (PBDE)
- THIS PART CONFORMS TO CLASS B REQUIREMENTS OF COSMETIC SPEC PS-45499-002
- FOR EDGE CARD AND MOUNTING PCB LAYOUT DETAIL SEE CORRESPONDING SALES DRAWING.



RELEASED REV A EC NO: UCP2011-2702 DRWNG: DROSCA 2011/03/07 CHKD: JCOMERC I 2011/03/28 APPR: JCOMERC I 2011/03/28	DESCRIPTION REV 0 0 0	QUALITY SYMBOLS ▽ = 0 ▽ = 0 ▽ = 0	GENERAL TOLERANCES (UNLESS SPECIFIED)		DIMENSION STYLE MM ONLY		SCALE 2:1	DESIGN UNITS METRIC	THIRD ANGLE PROJECTION			
				mm INCH	DRAWN BY DATE DROSCA 2010/06/22		TITLE EDGELINE 12.5GB 0.062*PCB 0.8MM PITCH					
				4 PLACES ± --- ± --- 3 PLACES ± --- ± --- 2 PLACES ± --- ± --- 1 PLACE ± --- ± ---	CHECKED BY DATE JCOMERC I 2010/06/22		APPROVED BY DATE JCOMERC I 2010/10/25		MOLEX INCORPORATED			
				ANGULAR ±1/2°		MATERIAL NO. SEE TABLE		DOCUMENT NO. SD-170673-0001		SHEET NO. 1 OF 1		

DRAFT WHERE APPLICABLE MUST REMAIN WITHIN DIMENSIONS

SIZE C THIS DRAWING CONTAINS INFORMATION THAT IS PROPRIETARY TO MOLEX INCORPORATED AND SHOULD NOT BE USED WITHOUT WRITTEN PERMISSION

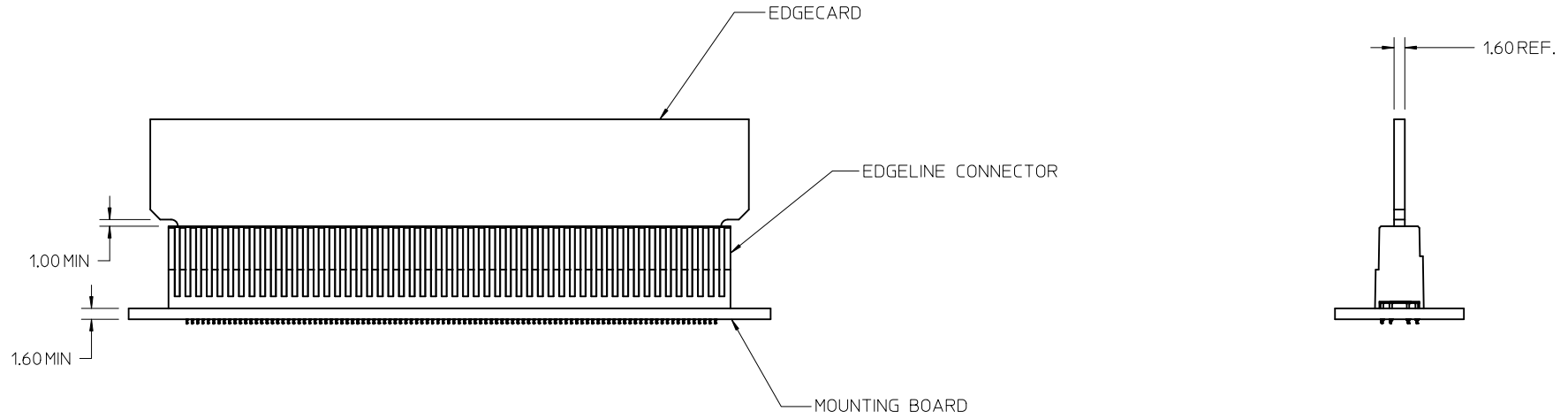


NOTES:

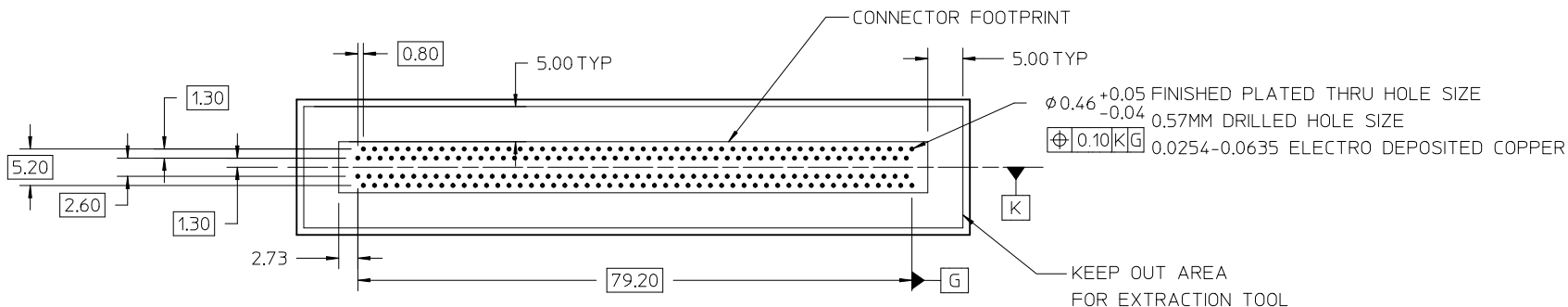
1. MATERIAL:
HOUSING - GLASS FILLED THERMOPLASTIC, 94-V0, BLACK
TERMINALS - COPPER ALLOY
2. FINISH:
CONTACT AREA: HARD GOLD -0.76µm MIN OVER 3.80µm NICKEL
COMPLIANT AREA: TIN - 0.76/1.52µm OVER NICKEL
3. REFER TO PS-75594-999 PRODUCT SPECIFICATION FOR ALL ELECTRICAL, MECHANICAL AND ENVIRONMENTAL SPECIFICATIONS.
4. REFER TO PK-76693-900 FOR ALL PACKAGING SPECIFICATIONS.
5. PROCESSING: PRESSFIT TO PC BOARD.
6. MATING PC BOARD THICKNESS = 1.60±0.16MM OVER CONTACT PADS.
7. PRODUCT IS ELV AND RoHS COMPLIANT. LEVEL OF COMPLIANCE: 6/6
ALL BANNED SUBSTANCES ARE REMOVED:
Pb (LEAD)
HEXAVALENT CHROMIUM (CrVI)
CADMIUM
MERCURY
POLYBROMINATED BIPHENYL (PBB)
POLYBROMINATED DIPHENYL ETHER (PBDE)
8. THIS PART CONFORMS TO CLASS B REQUIREMENTS OF COSMETIC SPEC PS-45499-002

INITIAL RELEASE EC NO: UCP2011-2702 DRW: DROSCA 2011/03/18 CHKD: JCOMERCI 2011/03/28 APPR: JCOMERCI 2011/03/28	DESCRIPTION REV = 0 = 1 = 1	QUALITY SYMBOLS		GENERAL TOLERANCES (UNLESS SPECIFIED)		DIMENSION STYLE MM ONLY		SCALE 2:1	DESIGN UNITS METRIC	THIRD ANGLE PROJECTION		
				mm	INCH	DRAWN BY	DATE	TITLE		EDGELINE 12.5GB 200CKTS 0.062*PCB 0.8MM PITCH		
				4 PLACES ± ---	± ---	DROSCA	2011/03/18					
				3 PLACES ± ---	± ---	CHECKED BY	DATE					
		2 PLACES ± 0.15	± ---	JCOMERCI	2011/03/28							
		1 PLACE ± 0.25	± ---	APPROVED BY	DATE							
		ANGULAR ±1/2°		JCOMERCI	2011/03/28							
		DRAFT WHERE APPLICABLE MUST REMAIN WITHIN DIMENSIONS		MATERIAL NO.		DOCUMENT NO.		SHEET NO.				
				1706731200		SD-170673-1200		1 OF 4				
				SIZE		THIS DRAWING CONTAINS INFORMATION THAT IS PROPRIETARY TO MOLEX INCORPORATED AND SHOULD NOT BE USED WITHOUT WRITTEN PERMISSION						
				C								

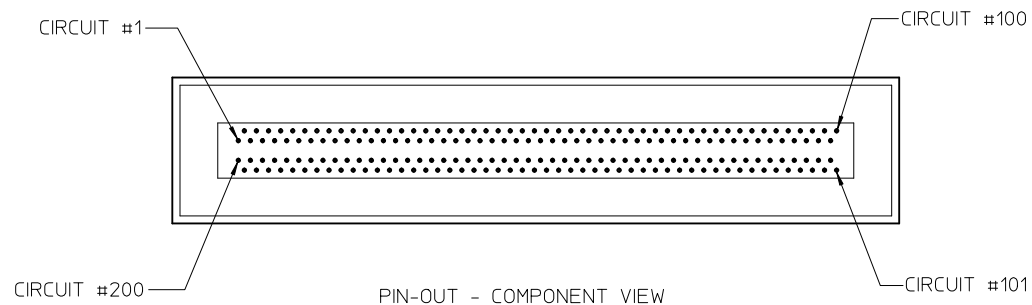
EDGELINE CONNECTOR BOARD MOUNTING



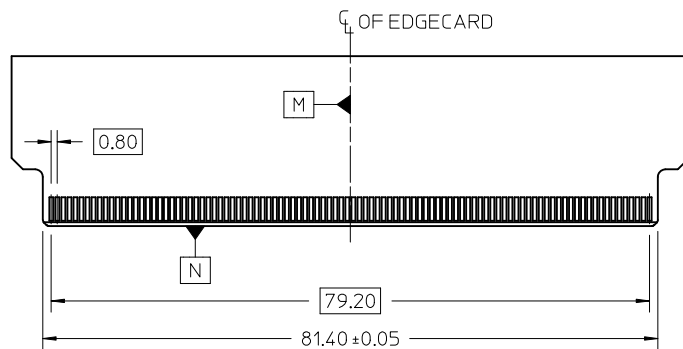
SEE SHEET 1 EC NO: UCP2011-2702 DRW: DROSCA 2011/03/18 CHKD: JCOMERC I 2011/03/28 APPR: JCOMERC I 2011/03/28	REV A	DESCRIPTION QUALITY SYMBOLS ▽=0 ▽=0	GENERAL TOLERANCES (UNLESS SPECIFIED)		DIMENSION STYLE MM ONLY		SCALE 2:1	DESIGN UNITS METRIC	THIRD ANGLE PROJECTION 			
			4 PLACES ± --- ± ---	mm	INCH	DRAWN BY DROSCA	DATE 2011/03/18	TITLE EDGELINE 12.5GB 200CKTS 0.062*PCB 0.8MM PITCH				
			3 PLACES ± --- ± ---			CHECKED BY JCOMERC I	DATE 2011/03/28					
			2 PLACES ± 0.15 ± ---			APPROVED BY JCOMERC I		DATE 2011/03/28		MOLEX INCORPORATED		SHEET NO. 2 OF 4
1 PLACE ± 0.25 ± ---			MATERIAL NO. SEE SHEET 1		DOCUMENT NO. SD-170673-1200							
DRAFT WHERE APPLICABLE MUST REMAIN WITHIN DIMENSIONS			THIS DRAWING CONTAINS INFORMATION THAT IS PROPRIETARY TO MOLEX INCORPORATED AND SHOULD NOT BE USED WITHOUT WRITTEN PERMISSION									



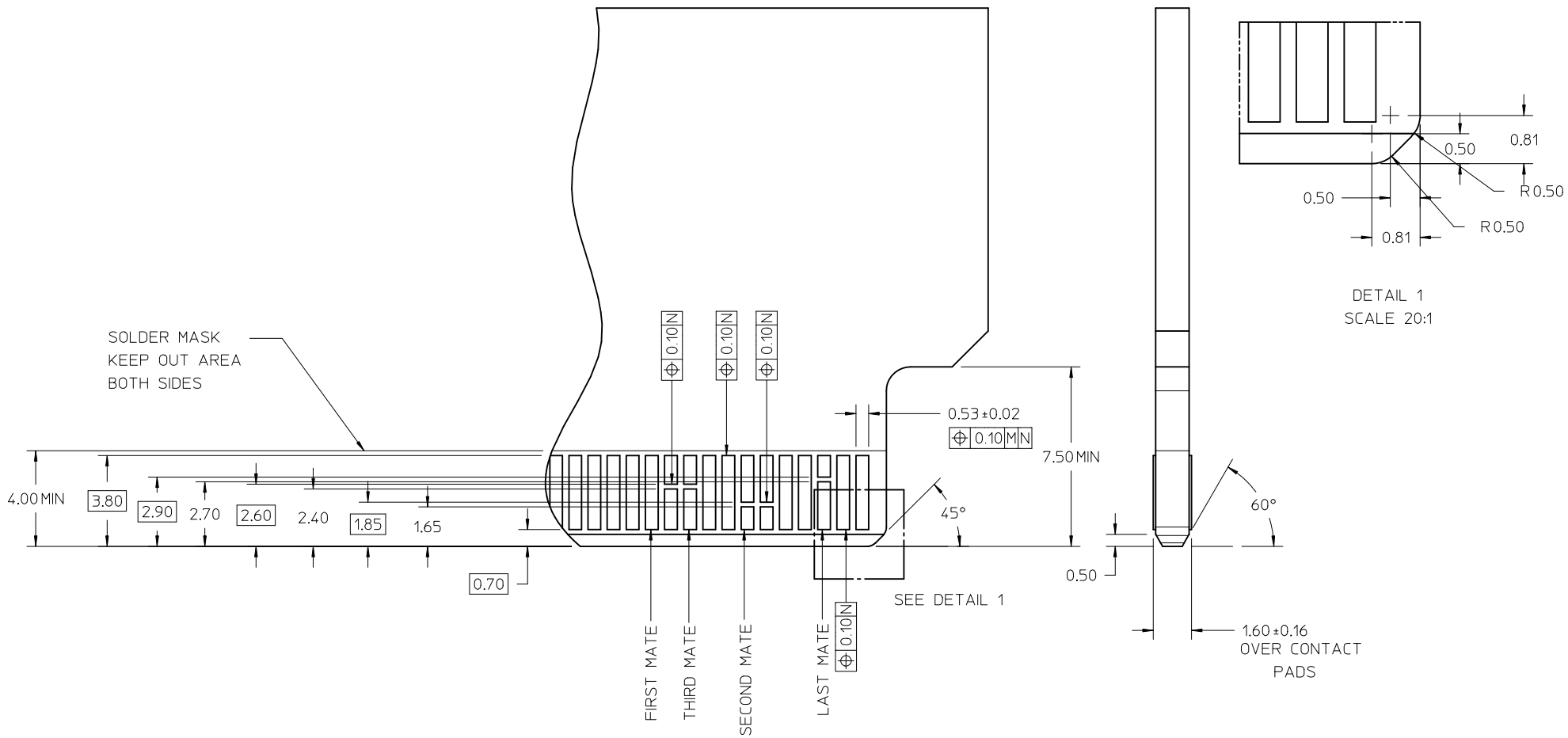
PCB LAYOUT - COMPONENT VIEW



PIN-OUT - COMPONENT VIEW



SEE SHEET 1 EC NO: UCP2011-2702 DRAWN: DROSCA 2011/03/18 CHKD: JCOMERC I 2011/03/28 APPR: JCOMERC I 2011/03/28	QUALITY SYMBOLS ▽=0 ▽=0 ▽=0	GENERAL TOLERANCES (UNLESS SPECIFIED)		DIMENSION STYLE MM ONLY	SCALE 2:1	DESIGN UNITS METRIC	THIRD ANGLE PROJECTION	
		mm	INCH	DRAWN BY DROSCA	DATE 2011/03/18	TITLE EDGE LINE 12.5GB 200CKTS 0.062*PCB 0.8MM PITCH		
		4 PLACES ± ---	± ---	CHECKED BY JCOMERC I	DATE 2011/03/28	APPROVED BY JCOMERC I		MATERIAL NO. SEE SHEET 1
		3 PLACES ± ---	± ---	DATE 2011/03/28	DATE 2011/03/28	DOCUMENT NO. SD-170673-1200		
2 PLACES ± 0.15	± ---	ANGULAR ± 1/2°		SHEET NO. 3 OF 4		THIS DRAWING CONTAINS INFORMATION THAT IS PROPRIETARY TO MOLEX INCORPORATED AND SHOULD NOT BE USED WITHOUT WRITTEN PERMISSION		
1 PLACE ± 0.25	± ---	DRAFT WHERE APPLICABLE MUST REMAIN WITHIN DIMENSIONS						



DETAIL 1
SCALE 20:1

NOTE:
THESE ARE GENERIC DETAILS THAT DESCRIBES THE CONFIGURATION OF VARIOUS PCB DESIGN ELEMENTS. THE CUSTOMER MUST DETERMINE WHERE AND WHEN TO USE EACH ELEMENT TO ACCOMMODATE THEIR SPECIFIC APPLICATION.

SEE SHEET 1 EC NO: UCP2011-2702 DRWN: DROSCA 2011/03/18 CHKD: JCOMERCI 2011/03/28 APPR: JCOMERCI 2011/03/28	QUALITY SYMBOLS ▽=0 ▽=0	GENERAL TOLERANCES (UNLESS SPECIFIED)		DIMENSION STYLE MM ONLY	SCALE 8:1	DESIGN UNITS METRIC	THIRD ANGLE PROJECTION		
		4 PLACES ± --- ± ---	3 PLACES ± --- ± ---	2 PLACES ± 0.15 ± ---	1 PLACE ± 0.25 ± ---	DRAWN BY DROSCA	DATE 2011/03/18	TITLE EDGELINE 12.5GB 200CKTS 0.062"PCB 0.8MM PITCH	
		ANGULAR ±1/2°		DRAFT WHERE APPLICABLE MUST REMAIN WITHIN DIMENSIONS		CHECKED BY JCOMERCI	DATE 2011/03/28	APPROVED BY JCOMERCI	
		MATERIAL NO. SEE SHEET 1		DATE 2011/03/28		MOLEX INCORPORATED		DOCUMENT NO. SD-170673-1200	SHEET NO. 4 OF 4