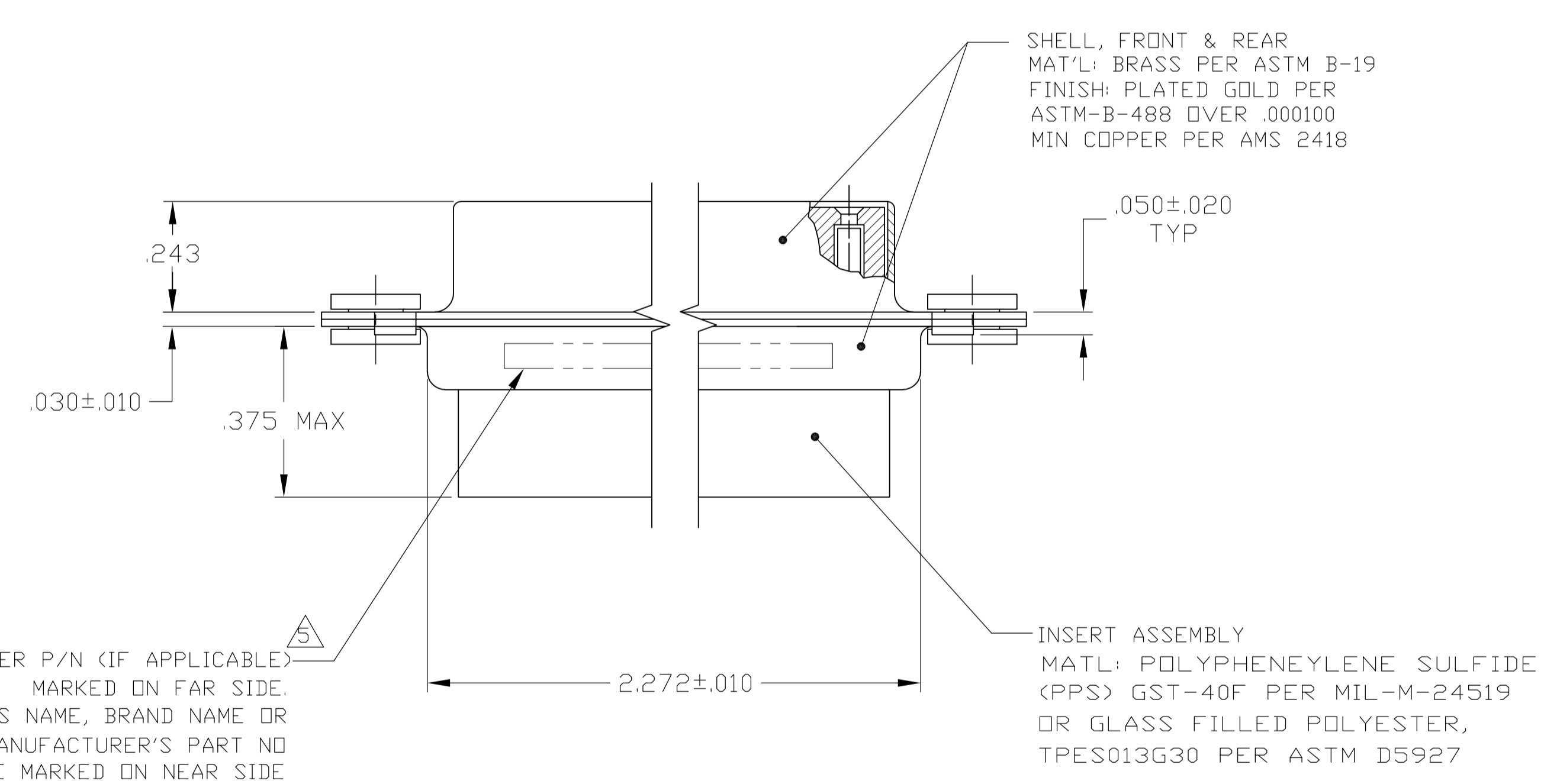
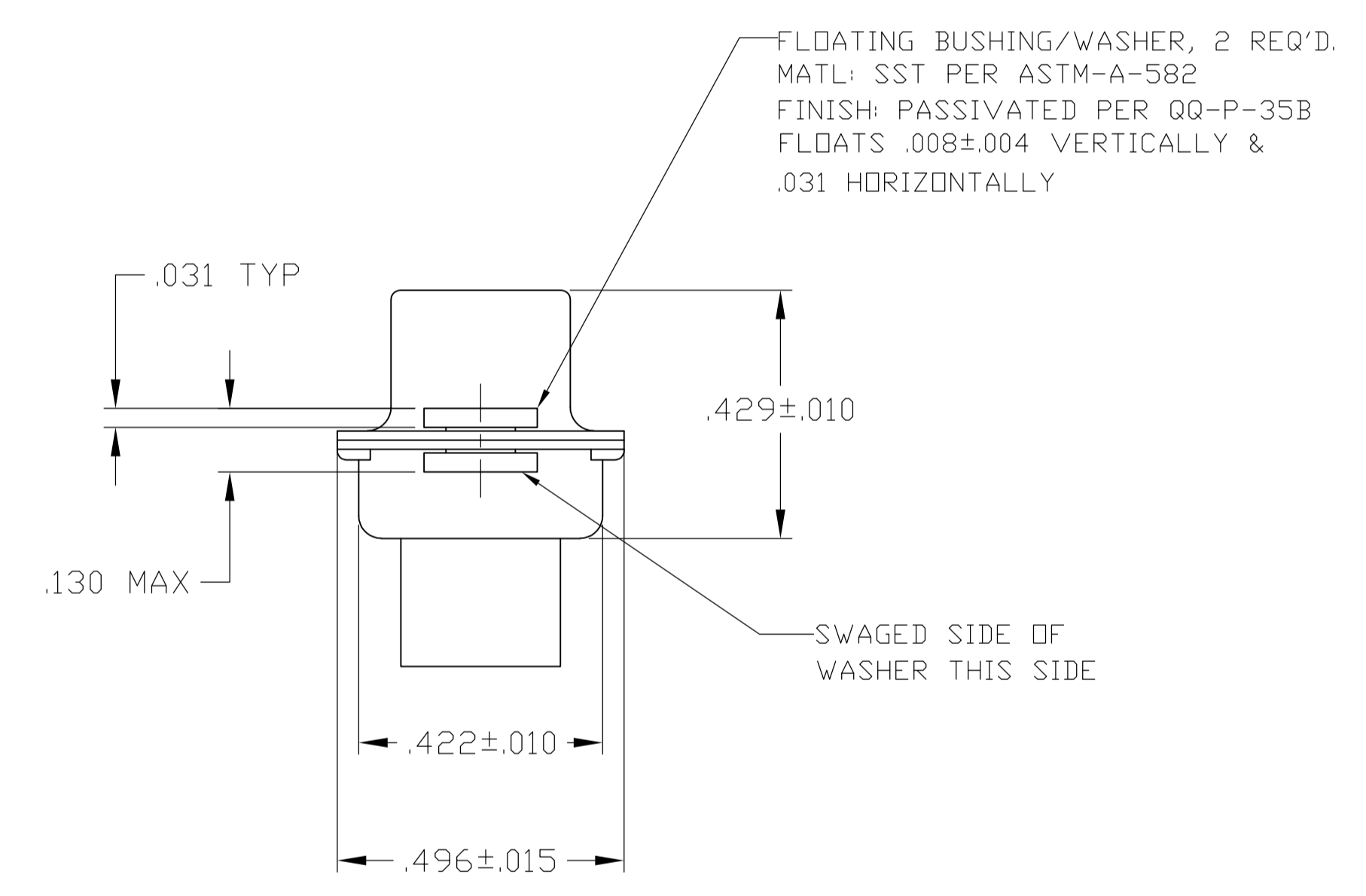


- THIS RECEPTACLE WILL MATE WITH ANY 62 POSITION SIZE 4 PLUG IN AMPLIMITE SERIES
 - CONNECTOR SUPPLIED WITHOUT CONTACTS; SHOWN FOR ILLUSTRATION ONLY.
 - BE-CU RETENTION CLIPS ARE INCLUDED IN INSERTS AND INSTALLED WITH TINES POINTING TOWARDS MATING FACE.
 - OVERALL DIMENSIONS DO NOT INCLUDE RAISED CAVITY IDENTIFICATION.
- ⚠ MARKING FAR SIDE REFERS TO WIDE SIDE OF KEYSTONE. NEAR SIDE REFERS TO NARROW SIDE OF KEYSTONE.
 ⚠ 100% INSPECTION REQUIRED PER BOEING 1B01:
 A. VISUAL
 B. DWV
 C. IR
 ⚠ CUSTOMER REQUIRES SINGLE LOT DATE CODE.
 ⚠ UL/CSA DESIGNATION STAMPED IN THIS AREA. (OPTIONAL)



CUSTOMER P/N (IF APPLICABLE) MARKED ON FAR SIDE. MANUFACTURER'S NAME, BRAND NAME OR LOGO AND MANUFACTURER'S PART NO AND DATE CODE MARKED ON NEAR SIDE



⚠ ⚠	1B01 - 016RHW	1-211658-1
OBSOLETE	--	211658-5
⚠ ⚠	1B01 - 016	211658-1
REMARKS	CUSTOMER MARKING	PART NO.

THIS DRAWING IS A CONTROLLED DOCUMENT.

DIMENSIONS: INCHES	TOLERANCES UNLESS OTHERWISE SPECIFIED:	0 PLC ± -	1 PLC ± -	2 PLC ± -	3 PLC ± .005	4 PLC ± -	ANGLES ± # 0'30"
MATERIAL SEE CALLOUTS	FINISH SEE CALLOUTS	WEIGHT	SIZE	CAGE CODE	DRAWING NO	RESTRICTED TO	
			A1	00779	211658		

Tyco Electronics Corporation
 Harrisburg, PA 17105-3608
 NAME: B. WALTERS
 PRODUCT SPEC: RECEPTACLE ASSY, AMPLIMITE 62 POSN, SIZE 4, SERIES 90 NON-MAGNETIC W/DUAL FLOATING BUSHINGS
 SCALE: 4:1 SHEET 1 OF 1 REV E