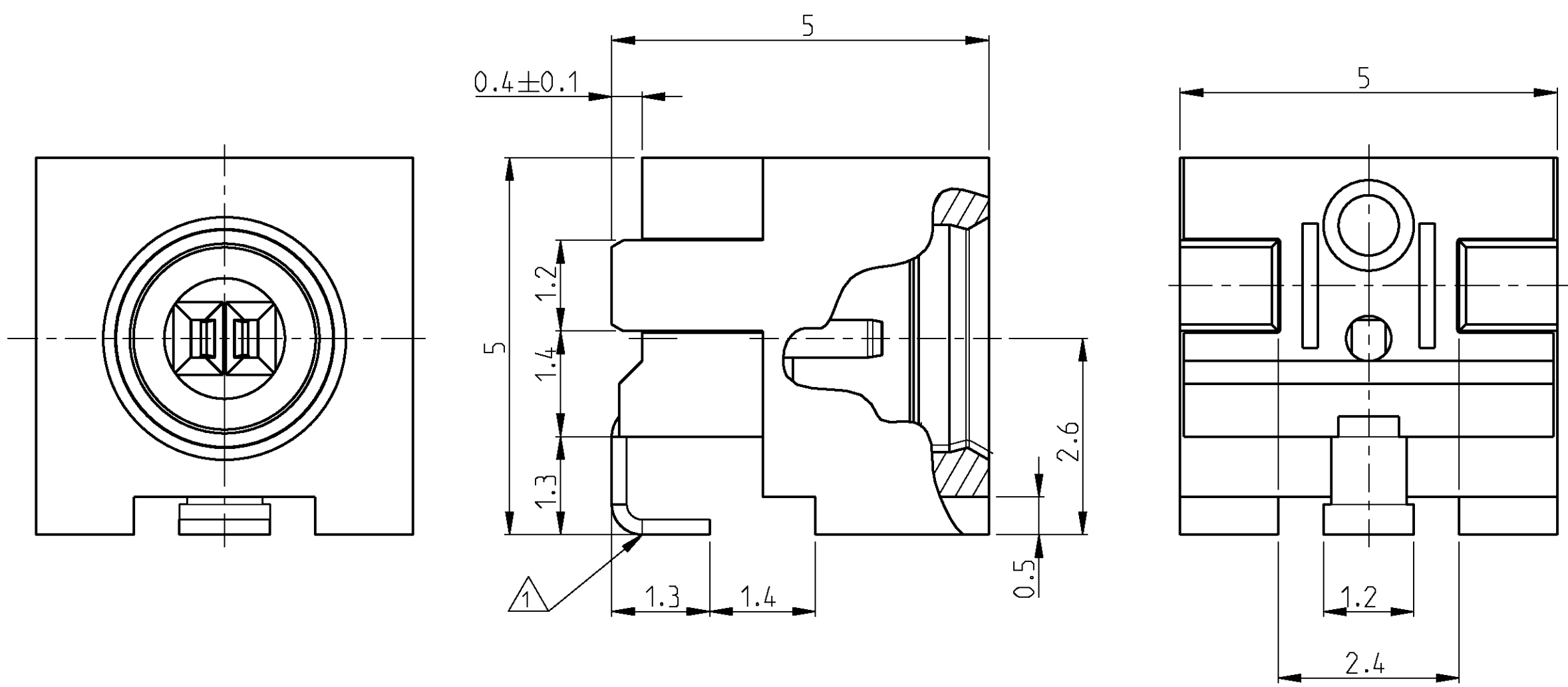
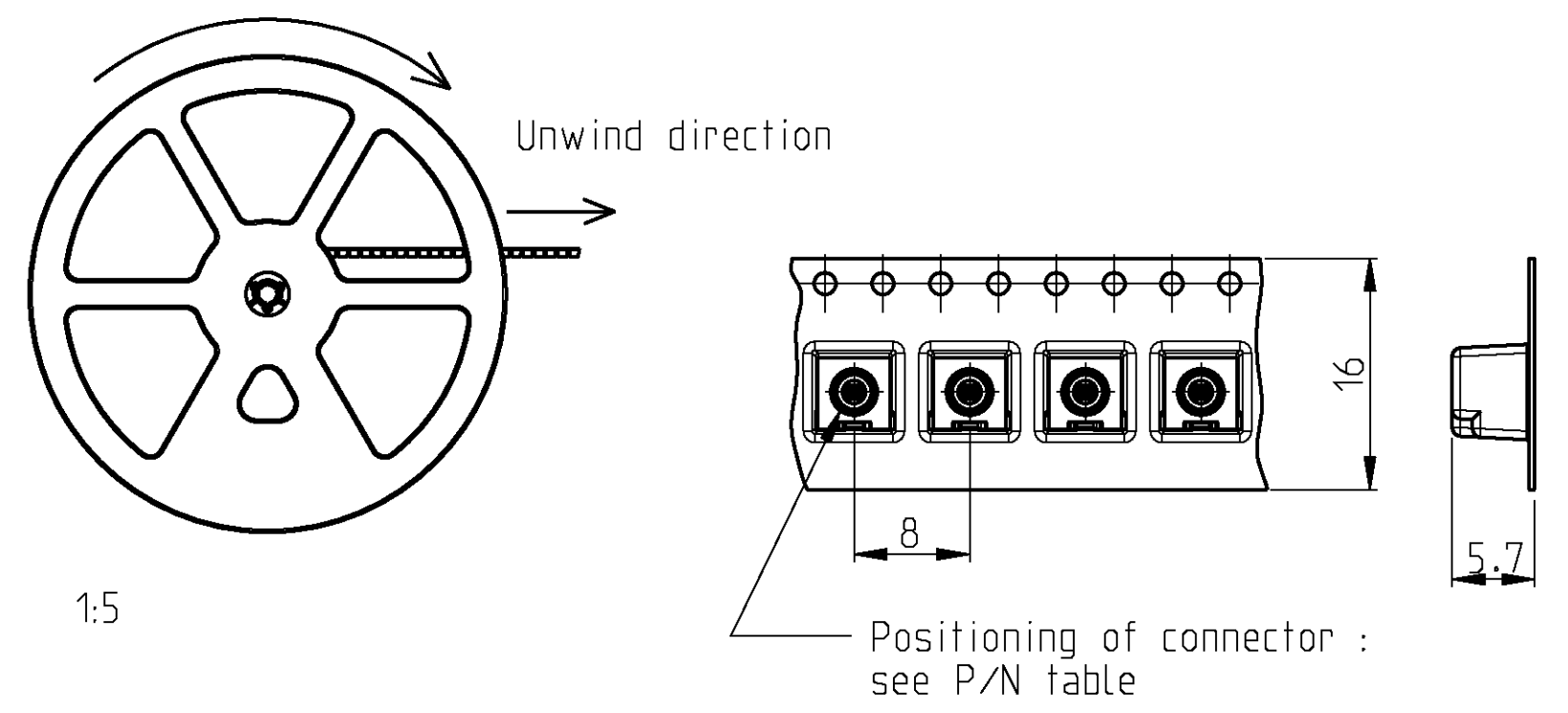


THIS DRAWING IS UNPUBLISHED. RELEASED FOR PUBLICATION  
 © COPYRIGHT - BY - ALL RIGHTS RESERVED.

LOC		DIST		REVISIONS			
P	LTR	DESCRIPTION	DATE	DWN	APVD		
	A1	REVISED PER ECO-11-005150	28MAR11	RK	HMR		

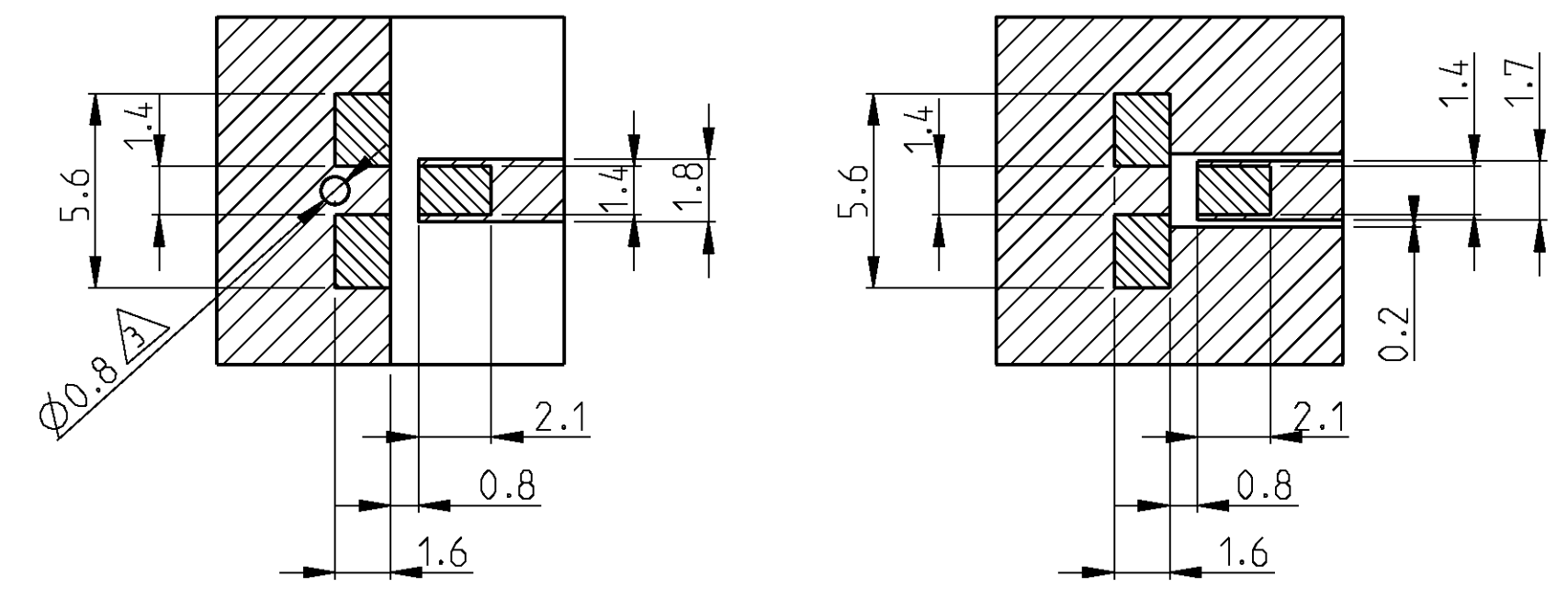


Packaging : Tape on reel  
 Reel width : 22.4 mm  
 Reel diameter : 330 mm  
 Quantity per reel : 1500



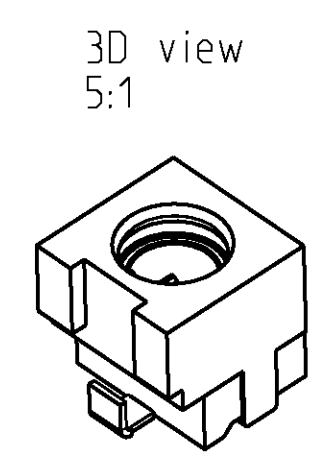
- ① Signal contact solder lead
- ② Partial Sn plating on ①
- 3) Interface dimensions in accordance with CECC22340
- 4) Comply with IEC 60286-3 and EIA-481

Solderpad layout  
 Micro strip      Soldering side      Coplanar



Bottom side : fully metallised  
 Bottom side : no requirements  
 Applicable for PCB :  
 1 mm thickness and FR4 material  
 All tolerances of solder pad layout : ±0.05  
 ③ Plated through hole

TE CONNECTIVITY part number	Style	Positioning in tape
6-1460820-1 (ROHS Compliant) ②	Straight 	Straight 
6-1460820-2 (ROHS Compliant) ②	Right angled 	Right angled 



1:1

Active part numbers : contact TE CONNECTIVITY for other configuration availability

DWN 07OCT2005 AH CHK 12OCT2005 RL		DWN 07OCT2005 AH CHK 12OCT2005 RL		TE Connectivity	
APVD -		APVD -		NAME SMD Jack, series MMCX	
PRODUCT SPEC -		PRODUCT SPEC -		SIZE A2	
APPLICATION SPEC -		APPLICATION SPEC -		CAGE CODE 00779	
WEIGHT -		WEIGHT -		DRAWING NO C-1460820	
MATERIAL -		MATERIAL -		RESTRICTED TO -	
CUSTOMER DRAWING		SCALE 15:1		SHEET 1 OF 1 REV A1	