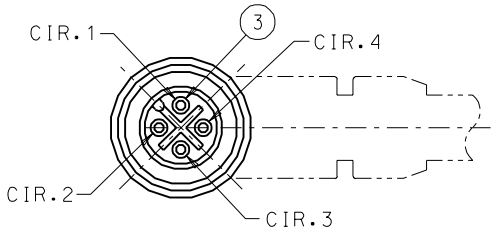
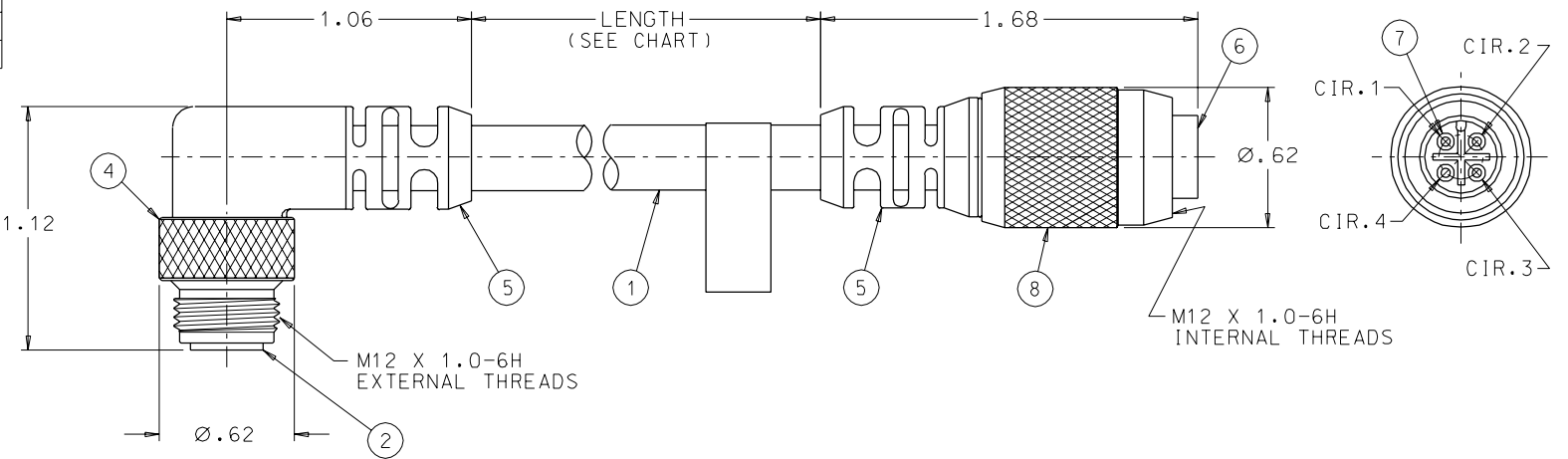


PART NO.	LENGTH
845979013	20'
845979014	50'
845979015	75'
845979016	25'
845979017	30'
845979018	40'
845979019	100'

REV	DATE	ECN NO.	APPVD BY	REL BY
A	2-7-01	UM2001-0239 PROD. REL		



P1		P2
1	BRN	1
2	WHT	2
3	BLU	3
4	BLK	4

WIRING DIAGRAM

UL AND C(UL) RECOGNIZED SPECIFICATIONS:
 VOLTAGE RATING-250V
 CURRENT RATING-7 AMPS

ITEM	QTY	DESCRIPTION	MATERIAL/FINISH
8	1	COUPLING RING, INT. THREAD	BRASS/NICKEL PLATED
7	4	CONTACT, SOCKET	CU ALLOY/GOLD PLATED
6	1	INSERT, SOCKET	NYLON/COLOR:BLACK
5	2	MOLDED BODY	PVC/COLOR:YELLOW
4	1	COUPLING RING, EXT. THREAD	BRASS/NICKEL PLATED
3	4	CONTACT, PIN	CU ALLOY/GOLD PLATED
2	1	INSERT, PIN	NYLON/COLOR:BLACK
1	SEE CHART	CABLE, SJOOW-A, 18 AWG	RUBBER JACKET/COLOR:YELLOW

QUALITY SYMBOLS MAJOR = CRITICAL = SPC =	UNLESS SPECIFIED: ALL DIMENSIONS IN INCHES	SCALE: -- DWG SIZE: B	THIRD ANGLE PROJECTION	REVISE ON CAD ONLY	
	GENERAL TOLERANCES: 3 PLACE ±.005 2 PLACE ±.01 ANGULAR ±2°	DRAWN BY & DATE: GF 2-7-01 CHECKED BY & DATE:	TITLE: MICRO-C, PLUG, MALE/FEMALE, DC KEY, 4 POLE, 18 AWG., RUBBER, EURO		
	Uti-Mate CAGE CODE: 58967	APPROVED BY & DATE:	MOLEX INCORPORATED Orange, CA 92868		
		PART NO.: SEE CHART DRAWING NO.: SD-84597-9013	SHEET NO. 1 OF 1		

THIS DRAWING CONTAINS INFORMATION THAT IS PROPRIETARY TO MOLEX INCORPORATED AND SHOULD NOT BE USED WITHOUT WRITTEN PERMISSION.