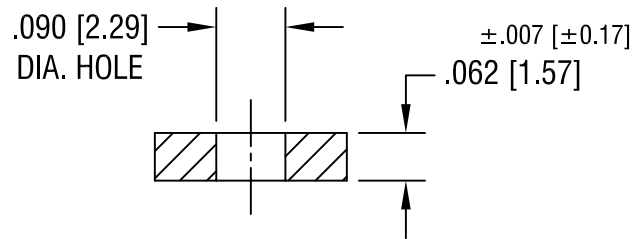
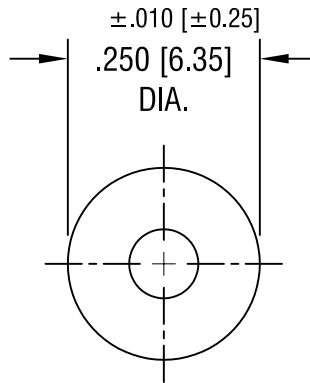


THIS DOCUMENT IS THE PROPERTY OF  
KEYSTONE ELECTRONICS CORP. AND  
SHALL NOT BE REPRODUCED, DISTRIBUTED  
OR USED AS A BASIS FOR MANUFACTURE  
WITHOUT PRIOR WRITTEN PERMISSION  
FROM KEYSTONE ELECTRONICS CORP.



**KEYSTONE ELECTRONICS CORP.**

ASTORIA, N.Y. 11105-2017

PART NAME

FLAT WASHER

MATERIAL

.062 [1.57] TH'K NYLON

FINISH

-

DRN BY

BOONE

DATE

8.26.82

APP'D

LN

SCALE

4X

TOLERANCES

INCH [MM]

DECIMAL ±.005 [±0.15]

ANGULAR ± 1°  
UNLESS OTHERWISE SPECIFIED

CODE

C/M

DWG NO.

3357

1.23.97	CHANGE AS PER ECR 97-003	B
9.15.94	CHANGE AS PER ECR 94-053	A
DATE	DESCRIPTION	REV.