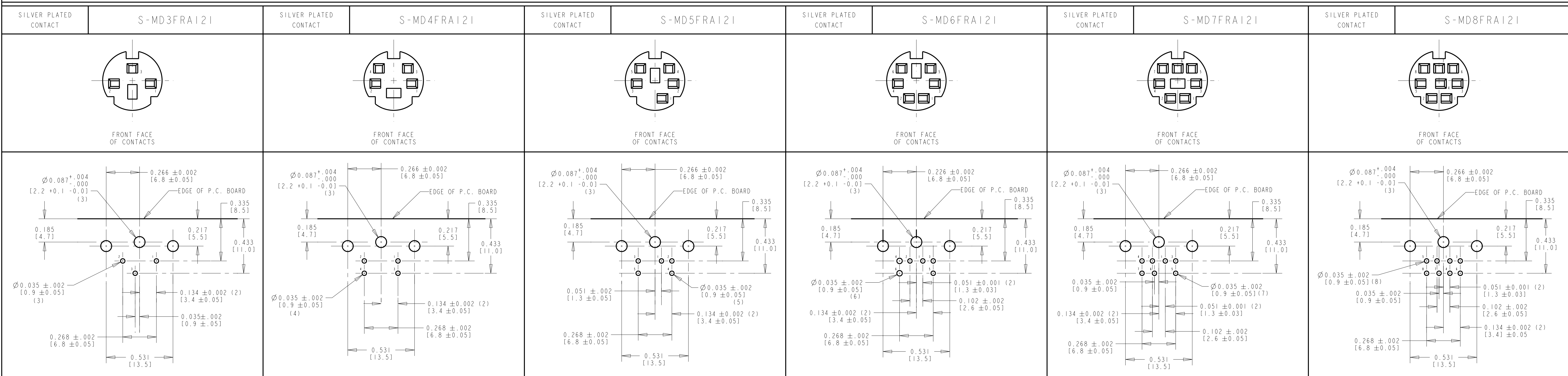
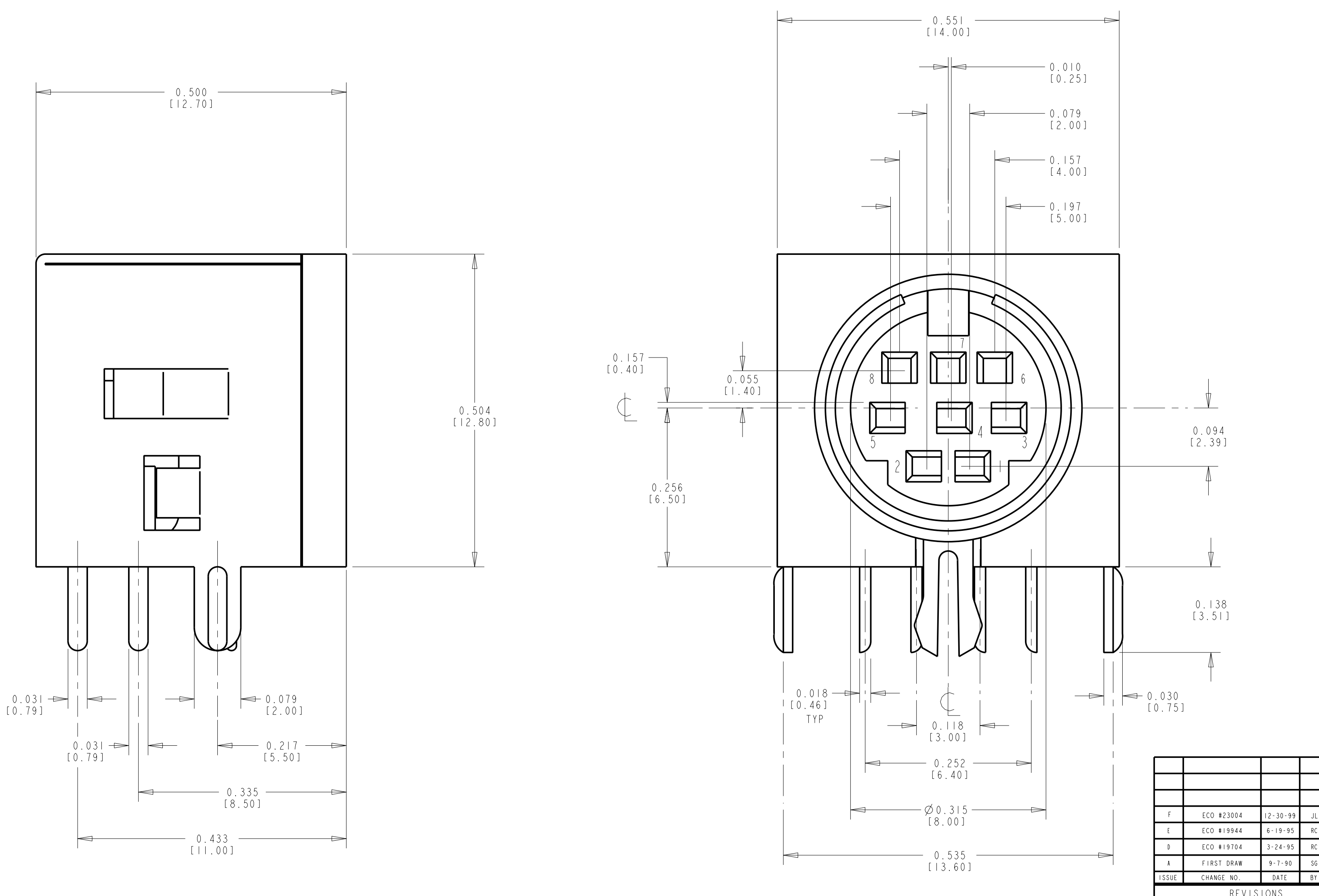


SWITCHCRAFT CATALOG PART NUMBER



RECOMMENDED P.C. BOARD LAYOUT (SOLDER SIDE)



CURRENT CARRYING CAPACITY
 1A, 100V AC
 2A, 12V DC
 INSULATION RESISTANCE: 50M Ω MIN
 DIELECTRIC STRENGTH: 250V DC/1 MINUTE
 CONTACT RESISTANCE: 30m Ω MAX I
 INSERTION FORCE: 0.8-5 KG / 1.76-111b
 EXTRACTION FORCE: 0.8-4 KG / 1.76-8.81b

CUSTOMER DRAWING

CAD/CAM DWG. NO.
 SMD3FRA121_CD
 SHEET 1 OF 1

FINISH: SILVER PLATE SPEC. NO.: FIRST USED ON:				MATERIAL: SPC. NO.: SCALE: NTS DATE DRAWN: 9-7-90 BY: SG CHK'D: EB APP'D: DV 10-9-90			
REVISIONS NAME: SMD3/SMD8FRA121 PART NO.: ISSUE: F				STAR SYMBOL DENOTES CRITICAL DIMENSION. SEE SPC ENGINEERING STANDARD ES-0001. UNLESS OTHERWISE SPECIFIED: 1. ALL DIMENSIONS IN INCHES 2. DECIMAL DIMENSIONS \pm .005 3. ANGLES: \pm .5° 4. ALL DIA'S CONCENTRIC WITHIN .005 T.I.R. 5. REMOVE ALL BURRS 6. MAKE NO DIMENSIONAL ALLOWANCES FOR APPLIED FINISHES, I.E., PLATING, PAINTING, ETC. 7. HOLES ON THE SAME CENTERLINE MUST BE ALIGNED WITHIN \pm .002			