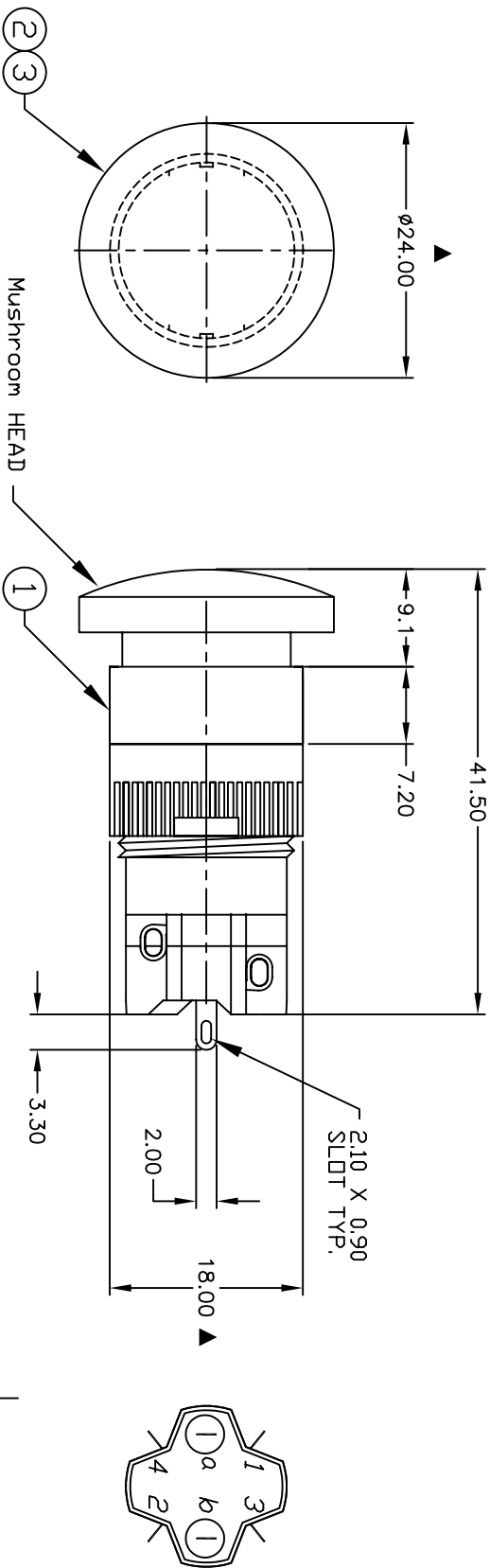


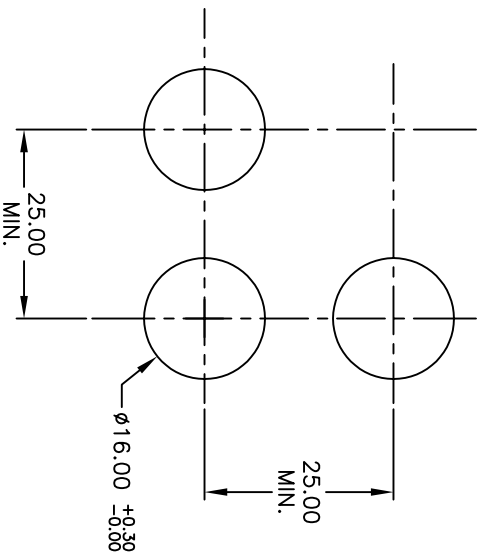
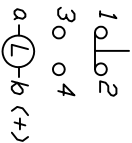
PARTS LIST

ITEM	QTY.	PART NO.	PART DESCRIPTION
1	1	F040006	D16 EE R1 1
2	1	F050417	50-004-17 (RED LED BULB)
3	1	F051202	50-012-02 (TRANSPARENT RED LENS)



- NOTES:
1. ALL DIMENSIONS IN MM
 2. GENERAL TOLERANCE: X.X=±0.4
X.XX=±0.25
 3. RATINGS: 5A @250V AC
8A @125V AC
6A @24V DC
 5. LAMP VOLTAGE: 6V DC (LED)
 6. CONTACT MATERIAL:
COPPER ALLOY W/Silver Plating
 7. ▲ DENOTES CRITICAL PARAMETER.
 8. 2002/95/EC (ROHS) COMPLANT
 9. PACKAGE: BOX/20 PIECES PER

SPST
CONTACT CONFIGURATION



RECOMMENDED PANEL MOUNTING
SCALE 1:1

A		17204	RELEASED FOR PRODUCTION	4/23/07	TN	TITLE	
REV.	ECN No.	DESCRIPTION		DATE	CHKD	SCALE 1.5:1	
						DATE	D16EER1HREDRED
						DR	TN
						DWG	XF0717P
						REV	A



THE INFORMATION CONTAINED IN THIS DOCUMENT IS PROPRIETARY TO E-SWITCH AND IS NOT TO BE COPIED OR TRANSFERRED