

4

3

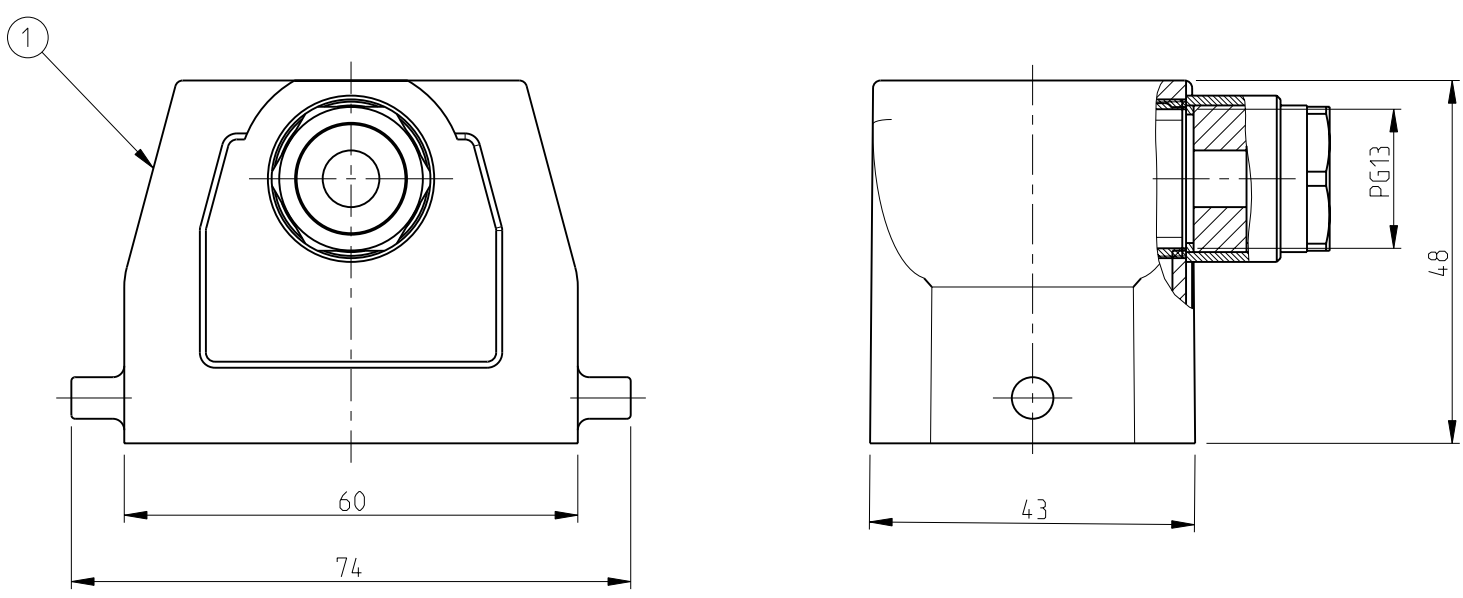
2

1

THIS DRAWING IS UNPUBLISHED. RELEASED FOR PUBLICATION 1999
 © COPYRIGHT 1998 BY TYCO ELECTRONICS CORPORATION. ALL RIGHTS RESERVED.

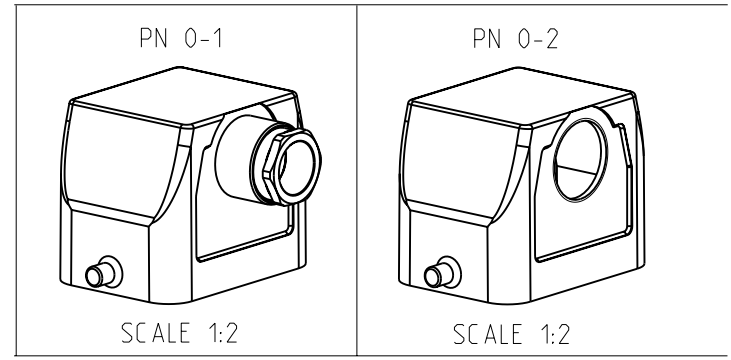
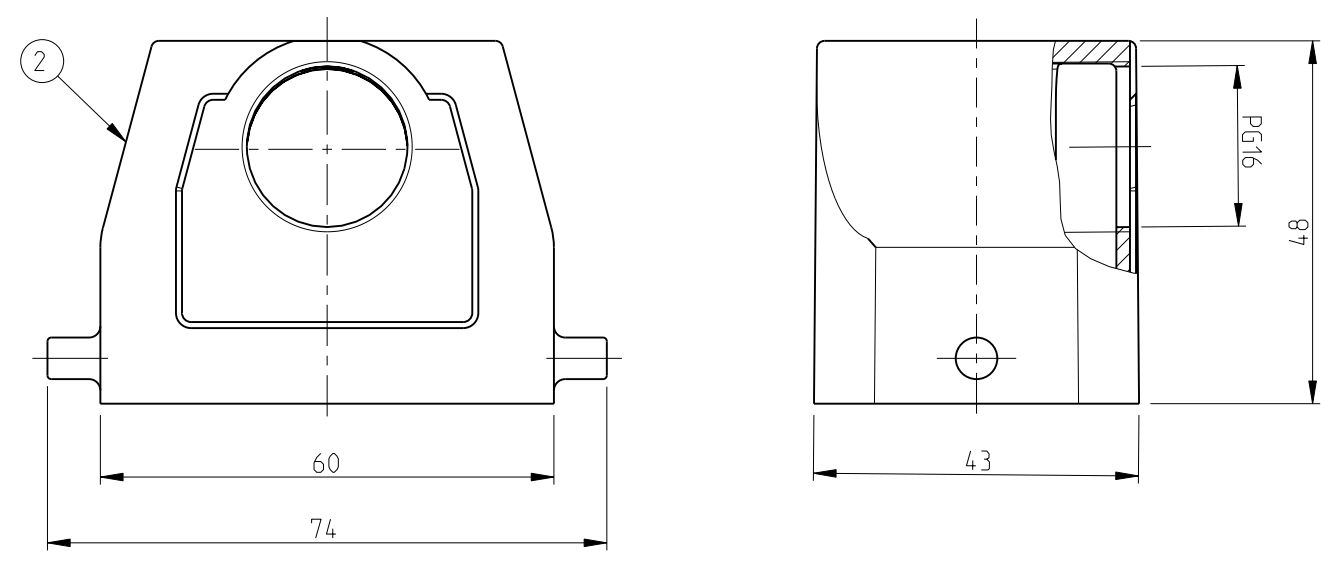
LOC	DIST	REVISIONS				
P	LTR	DESCRIPTION	DATE	DWN	APVD	
	B2	Released as per ECR-07-030416	17.12.07	SP	TS	

PN 0-1



- Notes
- 1 Material: Housing: Aluminium diecasting alloy
 - 2 Surface:- Varnish-grey
 - 3 Varnish on the inside not necessary
 - 4 Packaging
Packaging quantity: 5 pieces in box

PN 0-2



QTY	REV	DESCRIPTION	MATERIAL	SURFACE	COLOR	ITEM NO	NOTES
1	-	Hood HB.6 Pg16	Aluminium	-	Grey	2	
-	1	Hood HB.6 pg13	Aluminium	-	Grey	1	

HB.6.Stw.1.13
HB.6.Stw.1.16.G

THIS DRAWING IS A CONTROLLED DOCUMENT FOR TYCO ELECTRONICS CORPORATION
 IT IS SUBJECT TO CHANGE AND THE CONTROLLING ENGINEERING ORGANIZATION
 SHOULD BE CONTACTED FOR THE LATEST REVISION.

DIMENSIONS:	TOLERANCES UNLESS OTHERWISE SPECIFIED:
mm	n-ISO 8015 n-ISO 2768-mH-E n-DIN 16901-120
	0 PLC ±
	1 PLC ±
	2 PLC ±
	3 PLC ±
	4 PLC ±
	ANGLES ±
MATERIAL	FINISH

DWN	Schneider	30.03.00		Tyco Electronics,AMP,GmbH D-53819,Neunkirchen,Germany			
CHK	Schweiger	30.03.00		NAME			
APVD				Hood HB.6.Stw			
PRODUCT SPEC				SIZE	CAGE CODE	DRAWING NO	RESTRICTED TO
APPLICATION SPEC				A3	00779	©=1108770	
WEIGHT				CUSTOMER DRAWING	SCALE	SHEET	OF
				1:1	1	1	REV B2