

## Cable gland - G-INSEC-PG13,5-S68N-NNES-S - 1411198

Please be informed that the data shown in this PDF Document is generated from our Online Catalog. Please find the complete data in the user's documentation. Our General Terms of Use for Downloads are valid (<http://phoenixcontact.com/download>)



Cable gland, Cable gland material: Brass, nickel-plated, External cable diameter 6 mm ... 12 mm, Shielding: yes, Connecting thread: Pg13.5, Color: silver



### Key Commercial Data

|                                      |          |
|--------------------------------------|----------|
| Packing unit                         | 1 pc     |
| Minimum order quantity               | 5 pc     |
| Weight per Piece (excluding packing) | 32.0 g   |
| Custom tariff number                 | 74199990 |
| Country of origin                    | Turkey   |

### Technical data

#### Dimensions

|                                 |                     |
|---------------------------------|---------------------|
| Length                          | 30 mm               |
| Wrench size, union nut          | 22 mm               |
| Wrench size, support            | 22 mm               |
| Hexagon angular dimension GRP   | 24.5 mm             |
| Length of the connecting thread | 6.5 mm              |
| Feed-through hole diameter      | 20.5 mm ... 20.7 mm |
| External cable diameter         | 6 mm ... 12 mm      |

#### Ambient conditions

|                                 |                            |
|---------------------------------|----------------------------|
| Degree of protection            | IP68                       |
| Ambient temperature (operation) | -20 °C ... 100 °C (static) |

#### General

|                   |   |
|-------------------|---|
| No. of conductors | 1 |
|-------------------|---|

# Cable gland - G-INSEC-PG13,5-S68N-NNES-S - 1411198

## Technical data

### General

|                                |                      |
|--------------------------------|----------------------|
| Cable gland material           | Brass, nickel-plated |
| Seal material                  | Neoprene             |
| Cable seal material            | Neoprene             |
| O-ring material                | NBR                  |
| Shielded                       | yes                  |
| Thread type on connection side | Pg13.5               |
| Torque                         | 5.5 Nm (Union nut)   |
| Color                          | silver               |

### Standards and Regulations

|                                  |    |
|----------------------------------|----|
| Connection in acc. with standard | UL |
|----------------------------------|----|

### Classifications

#### eCl@ss

|            |          |
|------------|----------|
| eCl@ss 5.1 | 27149109 |
| eCl@ss 6.0 | 27149109 |
| eCl@ss 8.0 | 27149109 |

#### ETIM

|          |          |
|----------|----------|
| ETIM 4.0 | EC000441 |
| ETIM 5.0 | EC000441 |

### Approvals

#### Approvals

---

#### Approvals

UL Recognized

---

#### Ex Approvals

---

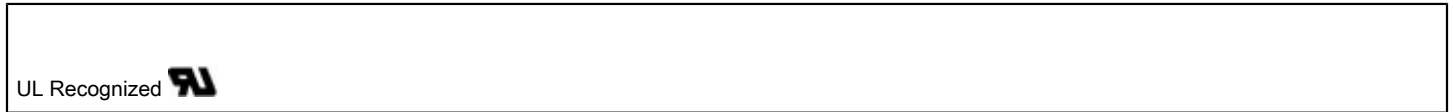
#### Approvals submitted

---

#### Approval details

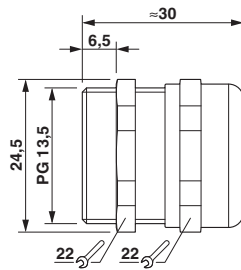
# Cable gland - G-INSEC-PG13,5-S68N-NNES-S - 1411198

## Approvals



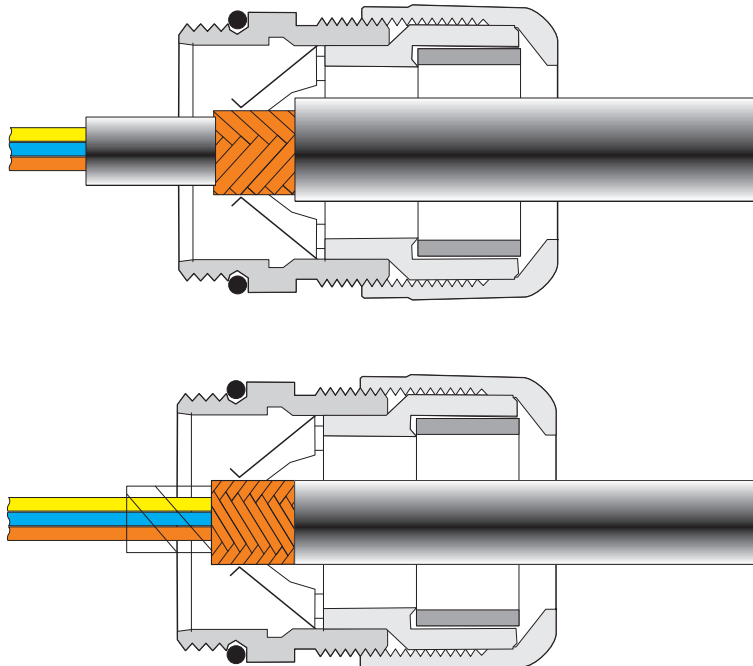
## Drawings

Dimensional drawing



Dimensional drawing

Functional drawing



Assembly instructions:  
Method 1

## Cable gland - G-INSEC-PG13,5-S68N-NNES-S - 1411198

Slit the outer sheath after approximately 15 mm, but do not remove it. Guide the cable through the screw connection and then remove the outer sheath. Now withdraw the cable until a connection is established between the conductor shield and the contact spring.

### Method 2

Push the braided shield back approximately 15 - 20 mm over the outer sheath. Insert the cable into the screw connection until a connection is established between the conductor shield and the contact spring.

### Method 3

Uncover about 10 mm of the braided shield and guide the cable through the screw connection until a connection is established between the conductor shield and the contact spring.