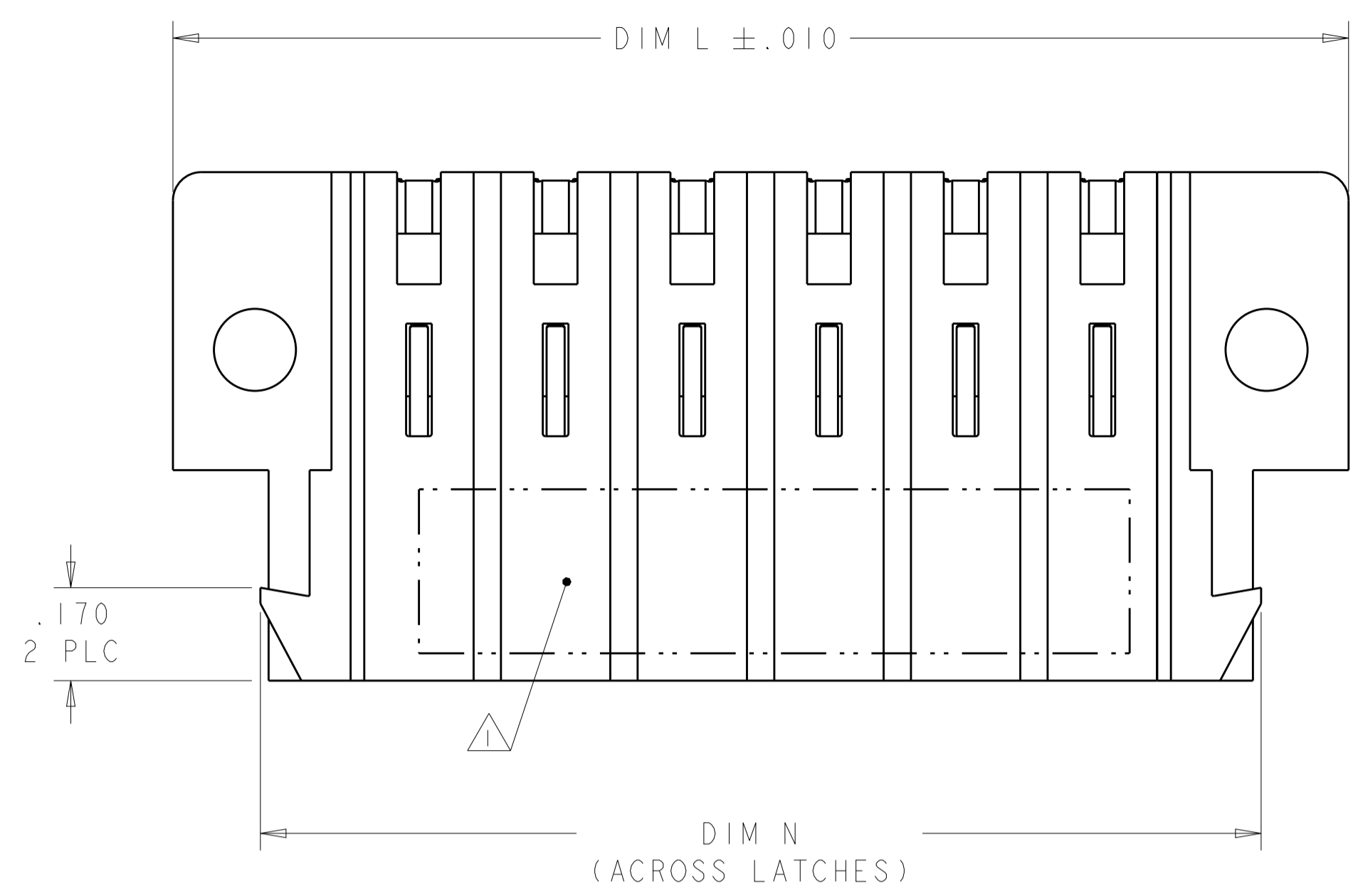
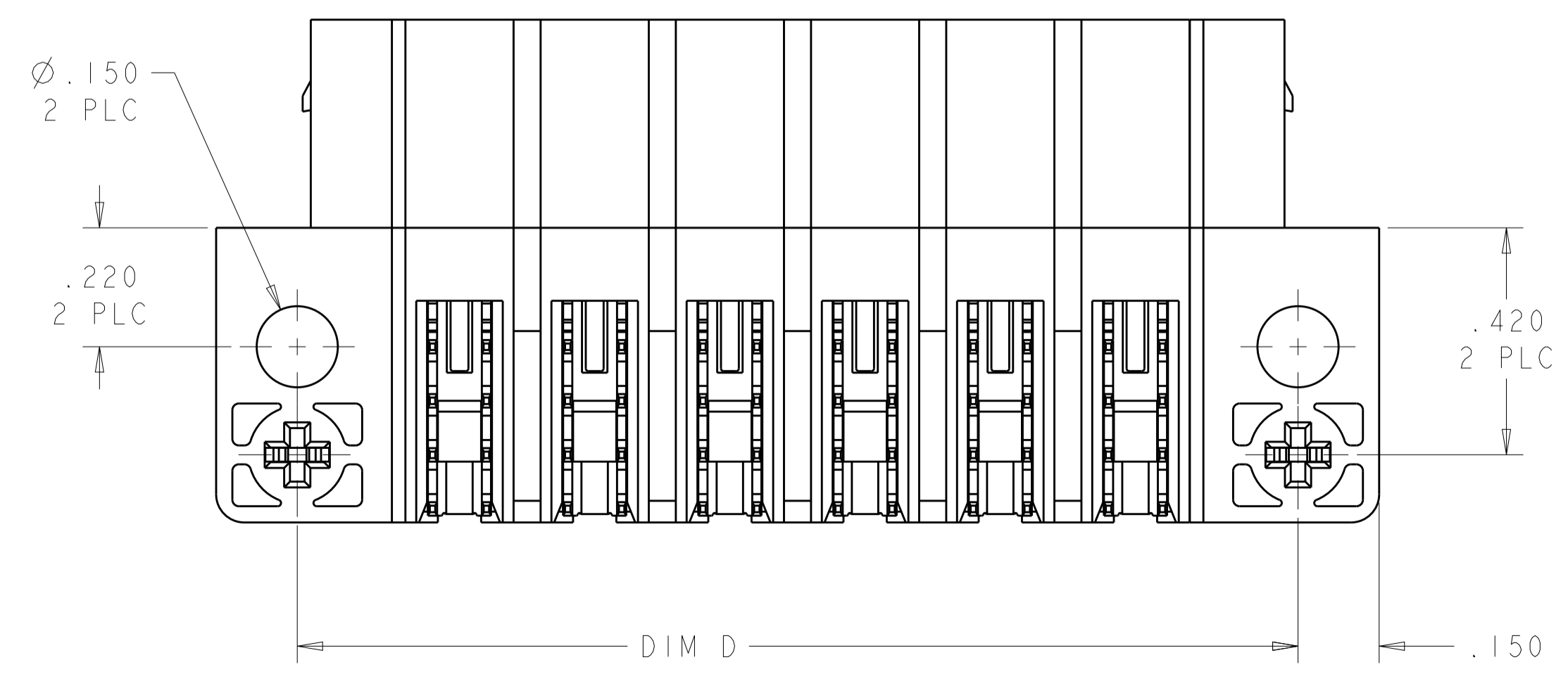
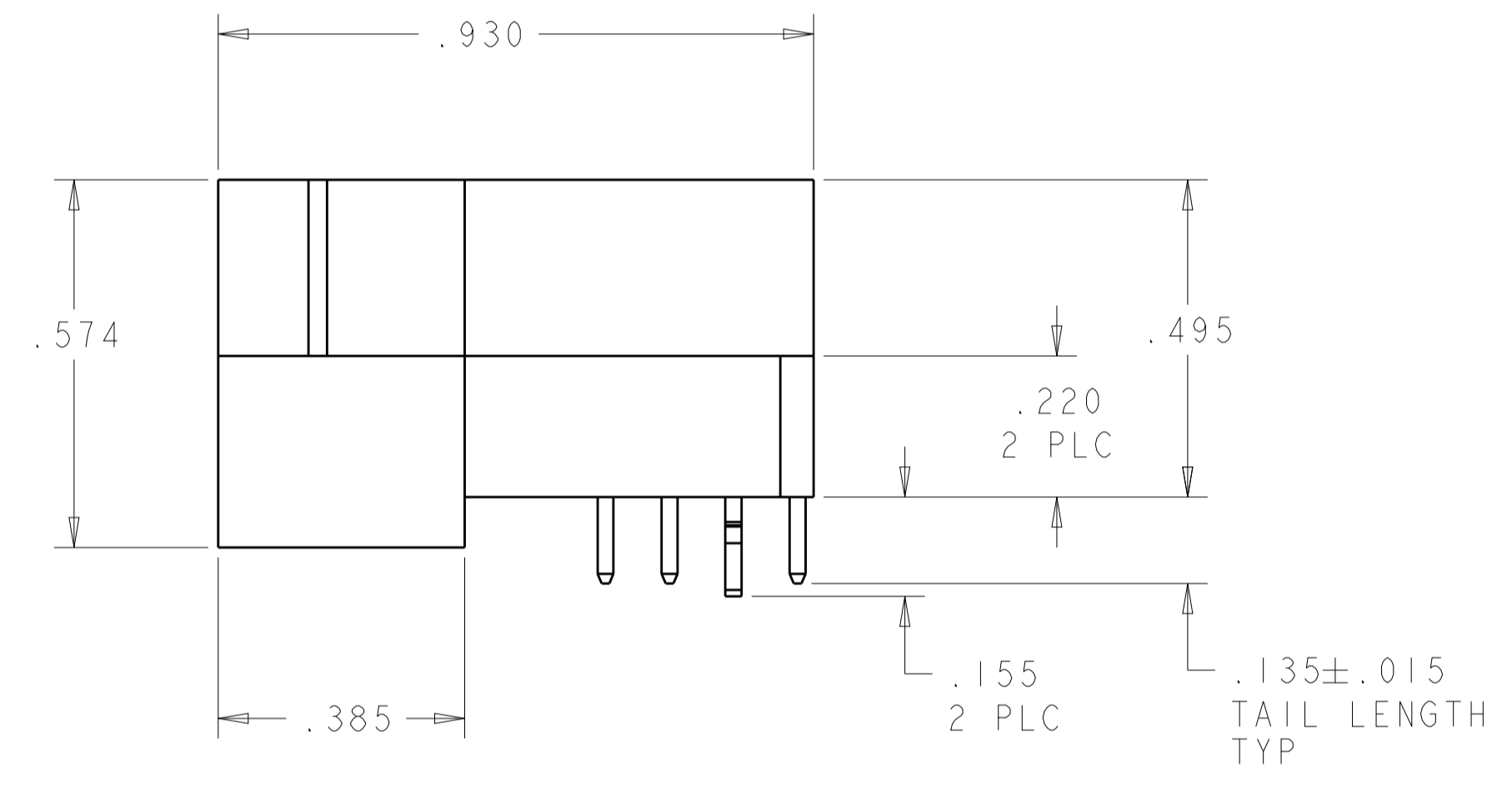
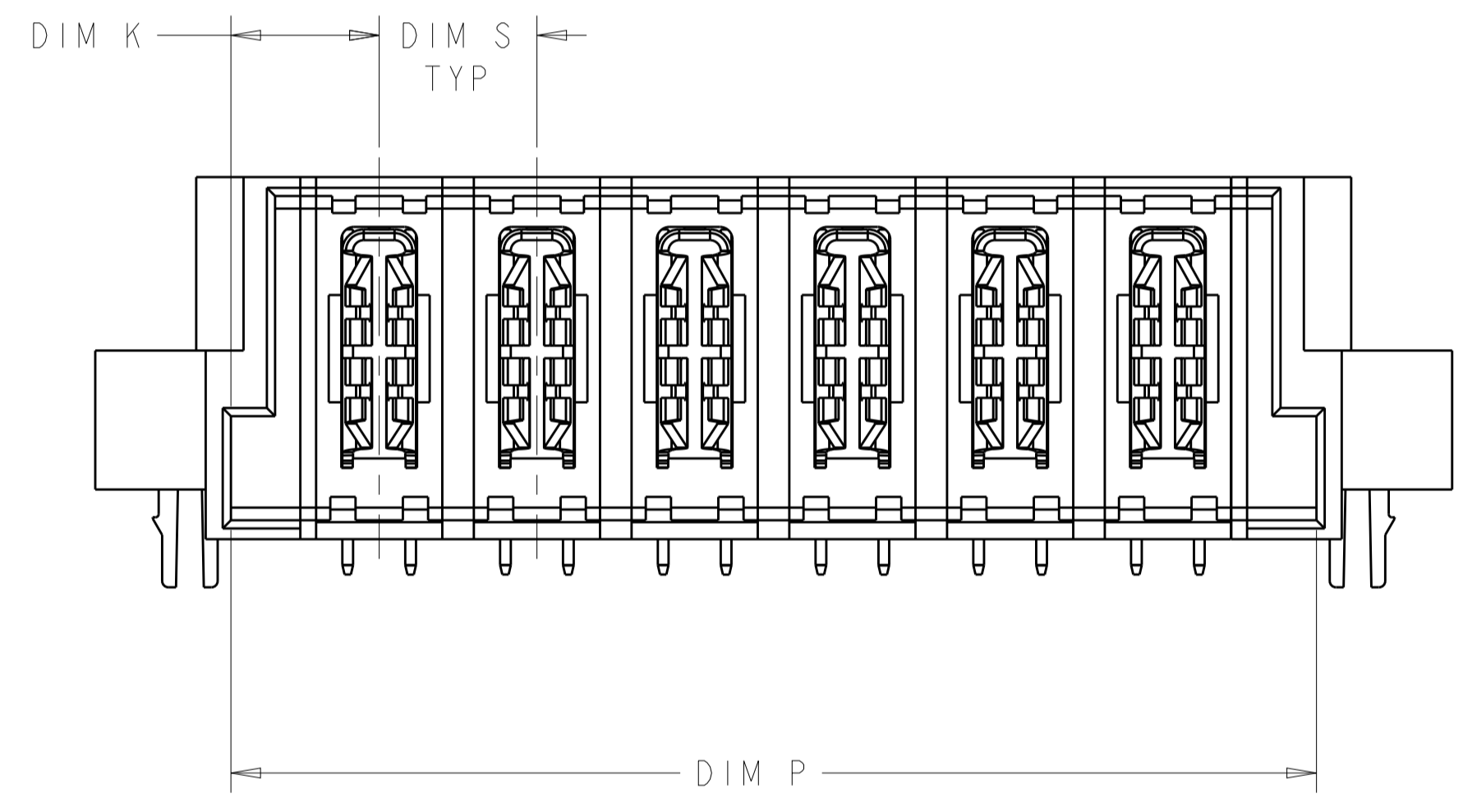


LOC		DIST		REVISIONS			
ES	00	P	LTN	DESCRIPTION	DATE	DMN	APVD
		C1		ADDED NEW DASH NUMBER 1--1	21SEP2010	CZ	SY



- 1 "AMP" PART NUMBER AND DATE CODE TO BE MARKED IN AREA SHOWN. PARTS UNDER 2.50 INCHES LONG MAY BE MARKED ON BOTH SIDES.
- 2 MATERIAL: HOUSING - GLASS FILLED HIGH TEMP THERMO PLASTIC, UL 94 V-0
POWER CONTACT - HIGH CONDUCTIVITY COPPER ALLOY.
- 3 CONTACT PLATING: NOBLE METAL PLATING ON CONTACT FUNCTIONAL AREA OF POWER AND SIGNAL CONTACTS
- 4 MECHANICAL CONNECTOR KEEP OUT ZONE. WHEN PLACING CONNECTORS END-TO-END, ALLOW ADDITIONAL 0.1 CLEARANCE BETWEEN CONNECTORS FOR LATCH ACTIVATION.
- 5 DATUM AND BASIC DIMENSIONS ESTABLISHED BY CUSTOMER.
- 6 PCB - ALL HOLE DIAMETERS ARE FINISHED HOLE SIZES.
- 7 PCB - .0453±.0010 DRILLED HOLES PLATED WITH .0003 MIN Sn OVER .001 TO .003 Cu PLATING TO ACHIEVE A .040 DIA HOLE.

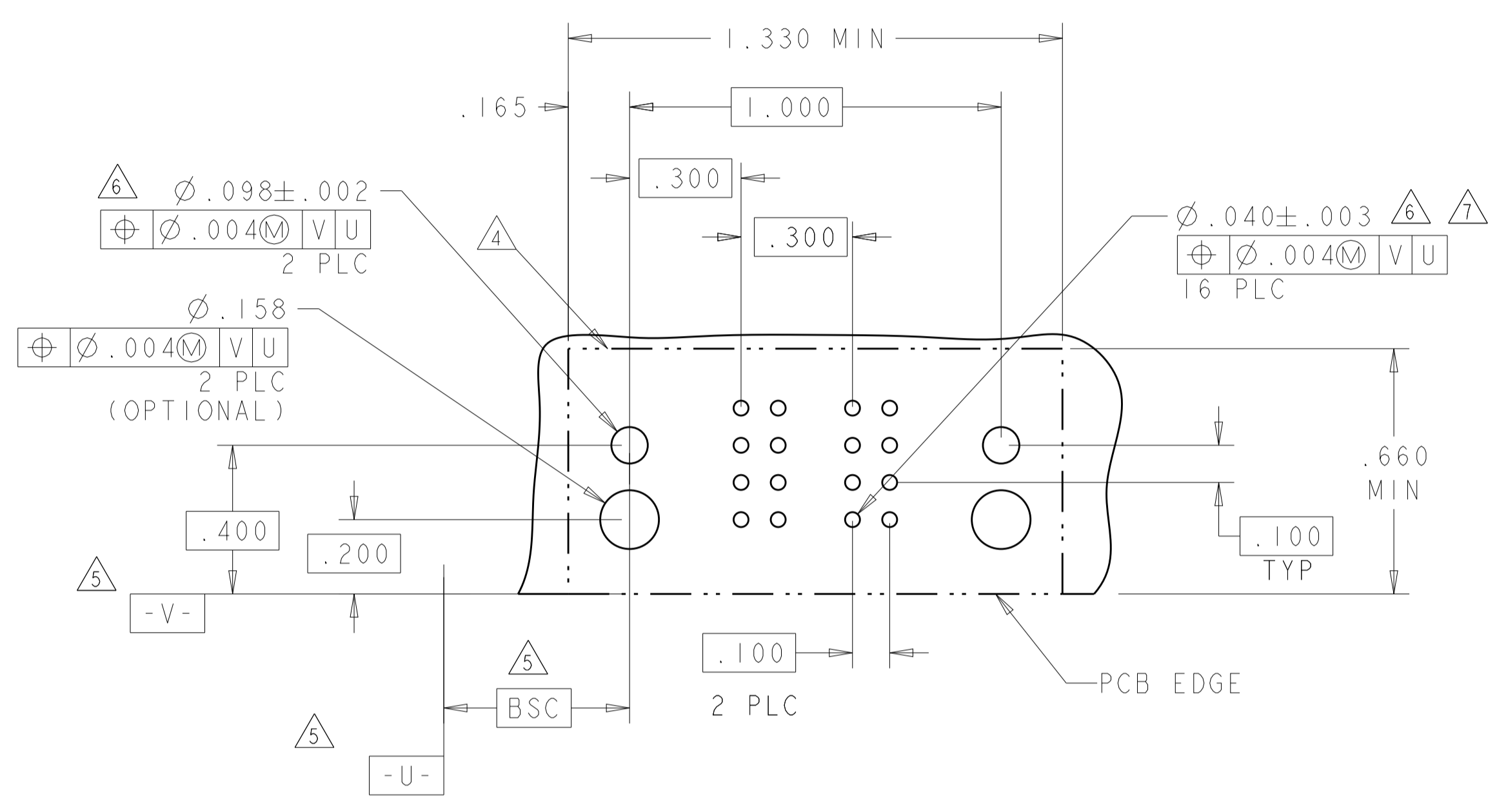


2.070	2.180	2.200	.300	2.500	.285	6ACP	1-6450129-1
1.170	1.280	1.300	.300	1.600	.285	3ACP	1-6450129-0
2.220	2.330	2.350	.250	2.650	.235	8P	6450129-9
1.170	1.280	1.300	.350	1.600	.235	3P	6450129-8
.720	.830	.850	.250	1.150	.235	2P	6450129-7
1.720	1.830	1.850	.250	2.150	.235	6P	6450129-5
1.220	1.330	1.350	.250	1.650	.235	4P	6450129-3
.970	1.080	1.100	.250	1.400	.235	3P	6450129-2
.870	.980	1.000	.300	1.300	.285	2ACP	6450129-1
DIM P	DIM N	DIM D	DIM S	DIM L	DIM K	DESCRIPTION	PART NUMBER

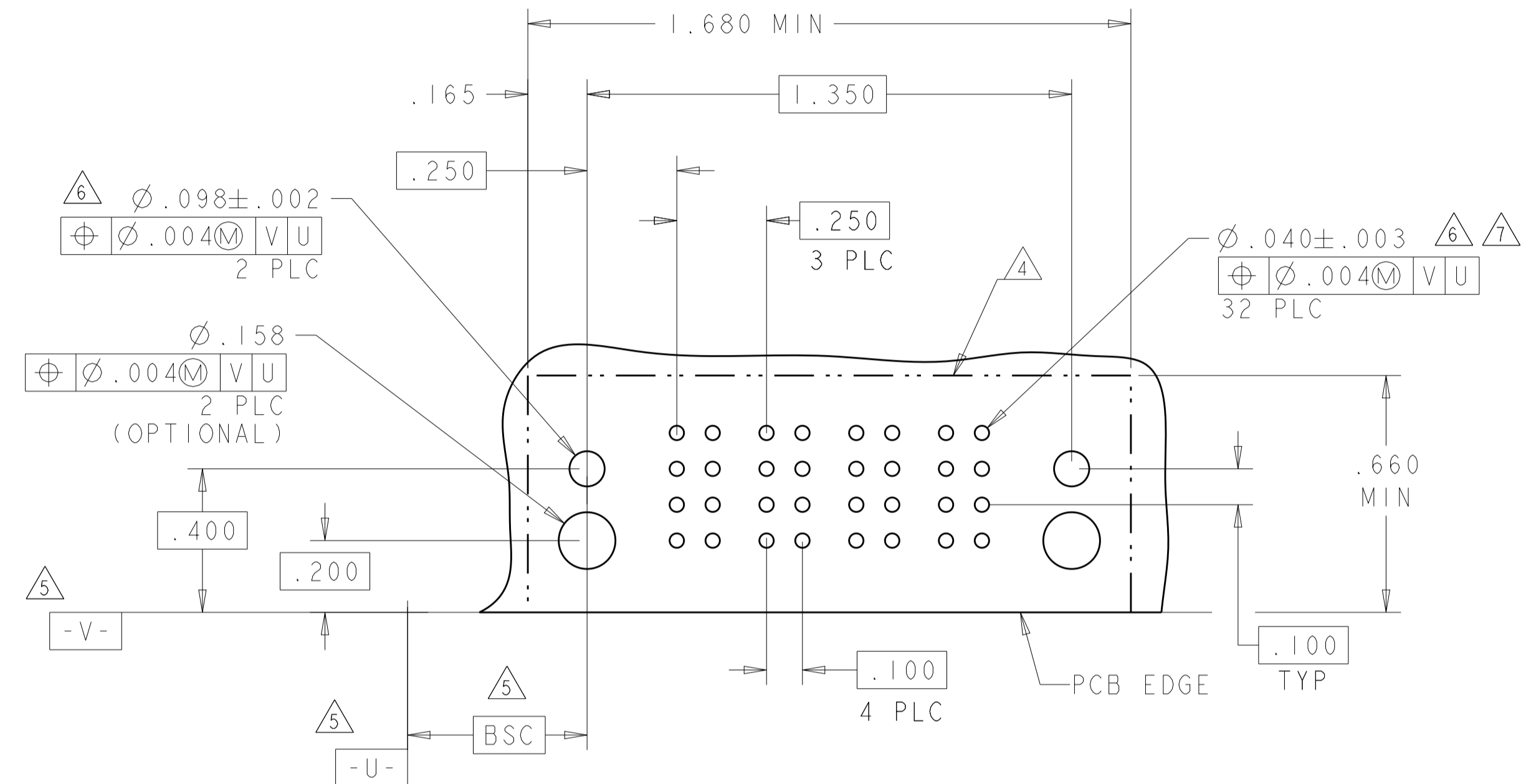
DIMENSIONS: INCHES 		TOLERANCES UNLESS OTHERWISE SPECIFIED: 0 PLC ±. 1 PLC ±.01 2 PLC ±.01 3 PLC ±.005 4 PLC ±.0020 ANGLES ±.0°		DMN R.GRZYBOWSKI CHK M.PERCHEKKE APVD M.PERCHEKKE PRODUCT SPEC 108-1973 APPLICATION SPEC 114-13038 WEIGHT CUSTOMER DRAWING		I1FEB05 I1FEB05 NAME SIZE CAGE CODE DRAWING NO A1 00779 C=6450129 SCALE 4:1 SHEET 1 OF 4 REV C1		Tyco Electronics Corporation Shanghai, P.R. 200233 RIGHT ANGLE HEADER ASSEMBLY W/ LATCH RECIEVERS MULTI-BEAM XL	
---------------------------	--	--	--	--	--	--	--	---	--

LOC	DIST	REVISIONS			
P	LTN	DESCRIPTION	DATE	DMN	APVD
ES	00	SEE SHEET 1			

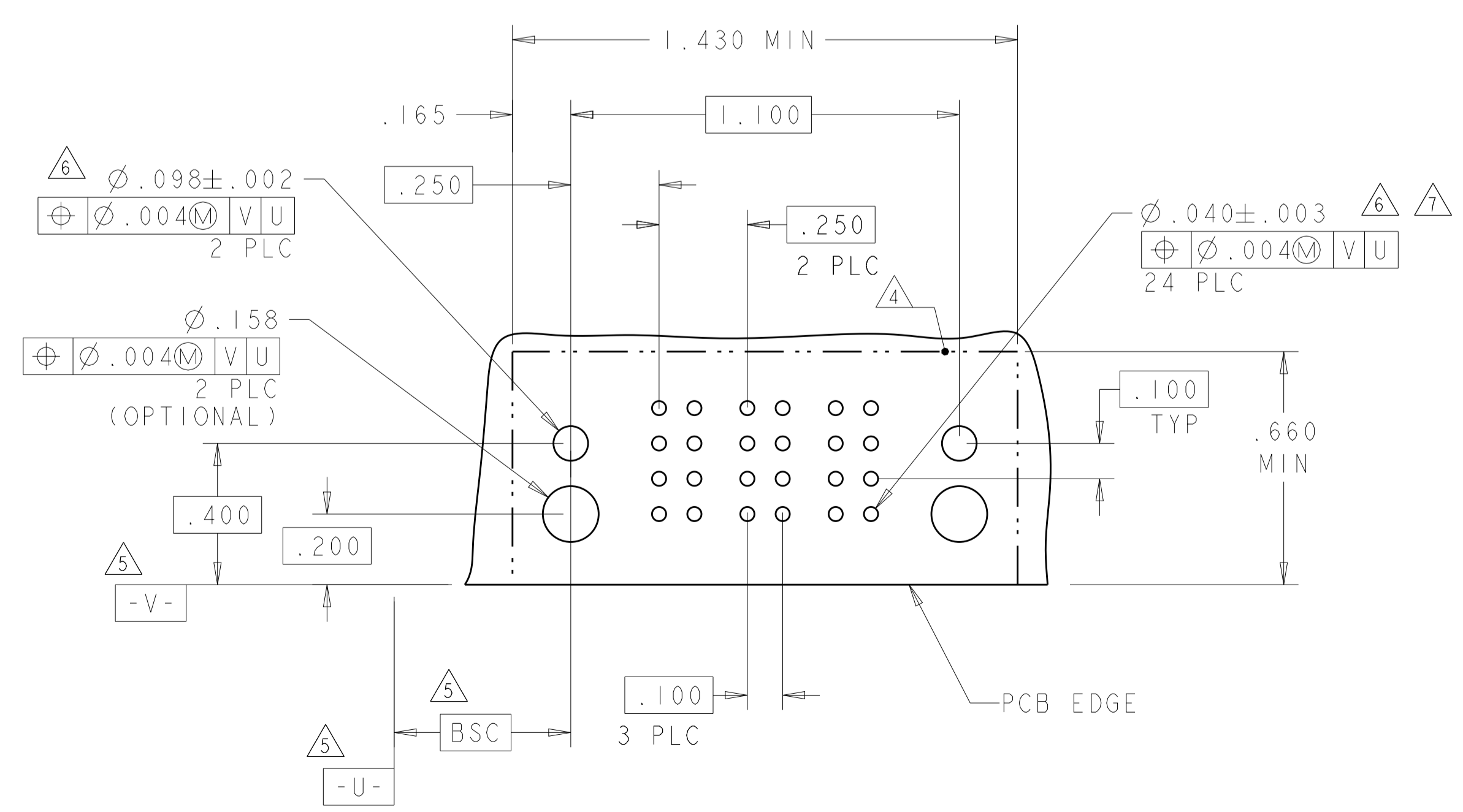
PART NUMBER	ROWS	POWER	
		P1	P2
6450129-1	D C B A	PM	PM
		HD	HD
2ACP			



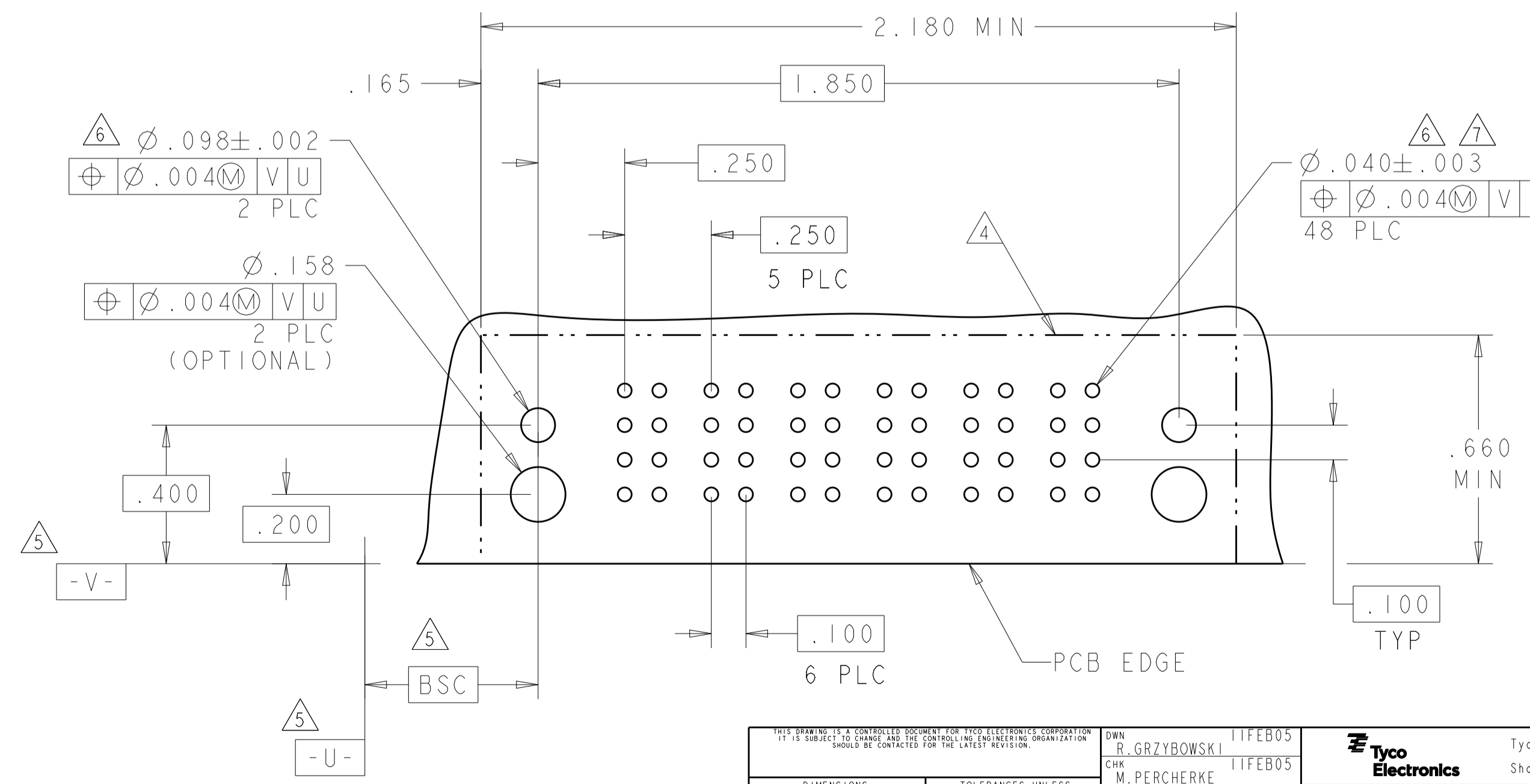
PART NUMBER	ROWS	POWER			
		P1	P2	P3	P4
6450129-3	D C B A	PM	PM	PM	PM
		HD			HD
4P					



PART NUMBER	ROWS	POWER		
		P1	P2	P3
6450129-2	D C B A	PM	PM	PM
		HD		HD
3P				



PART NUMBER	ROWS	POWER					
		P1	P2	P3	P4	P5	P6
6450129-5	D C B A	PM	PM	PM	PM	PM	PM
		HD					HD
6P							



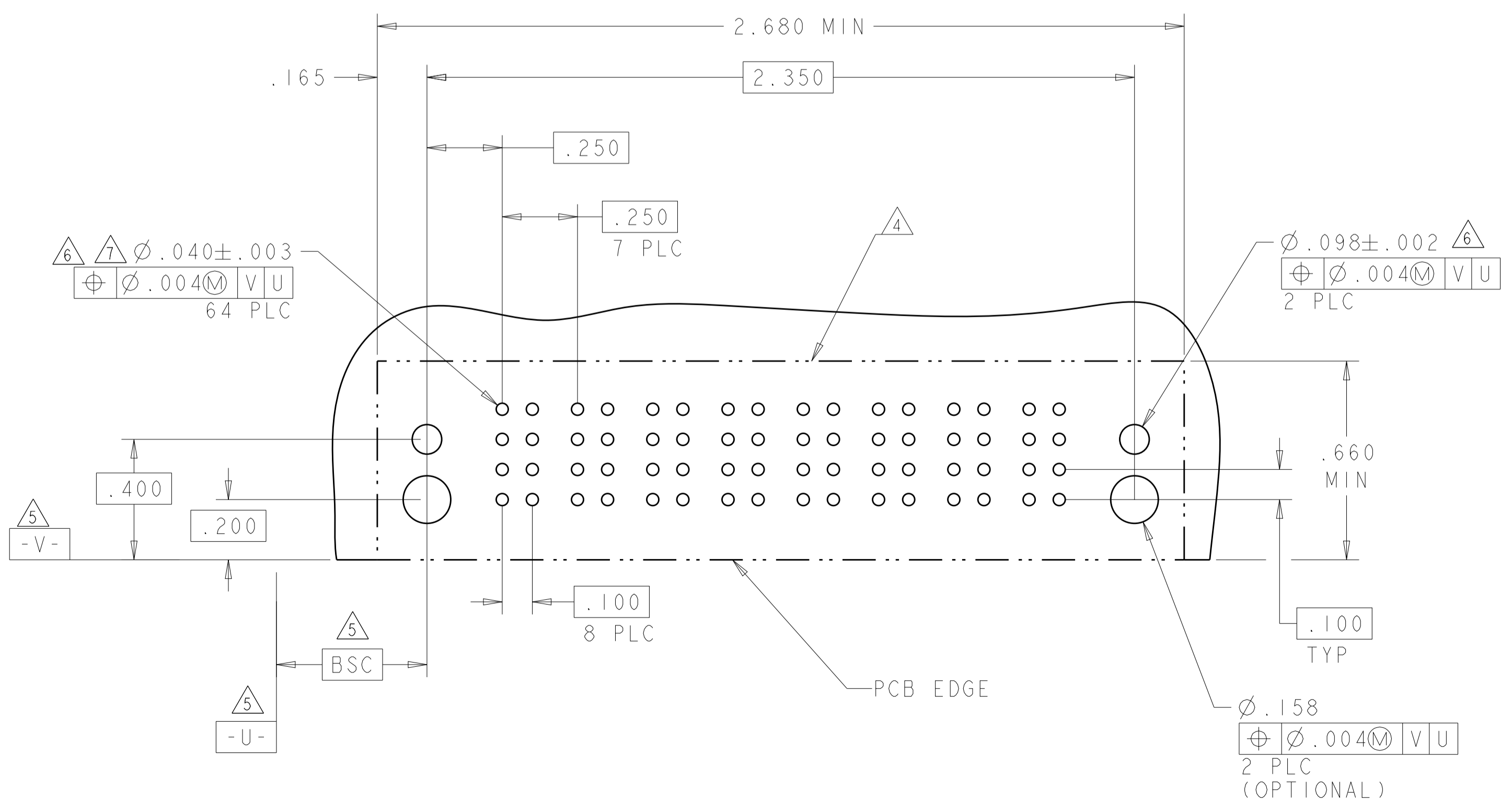
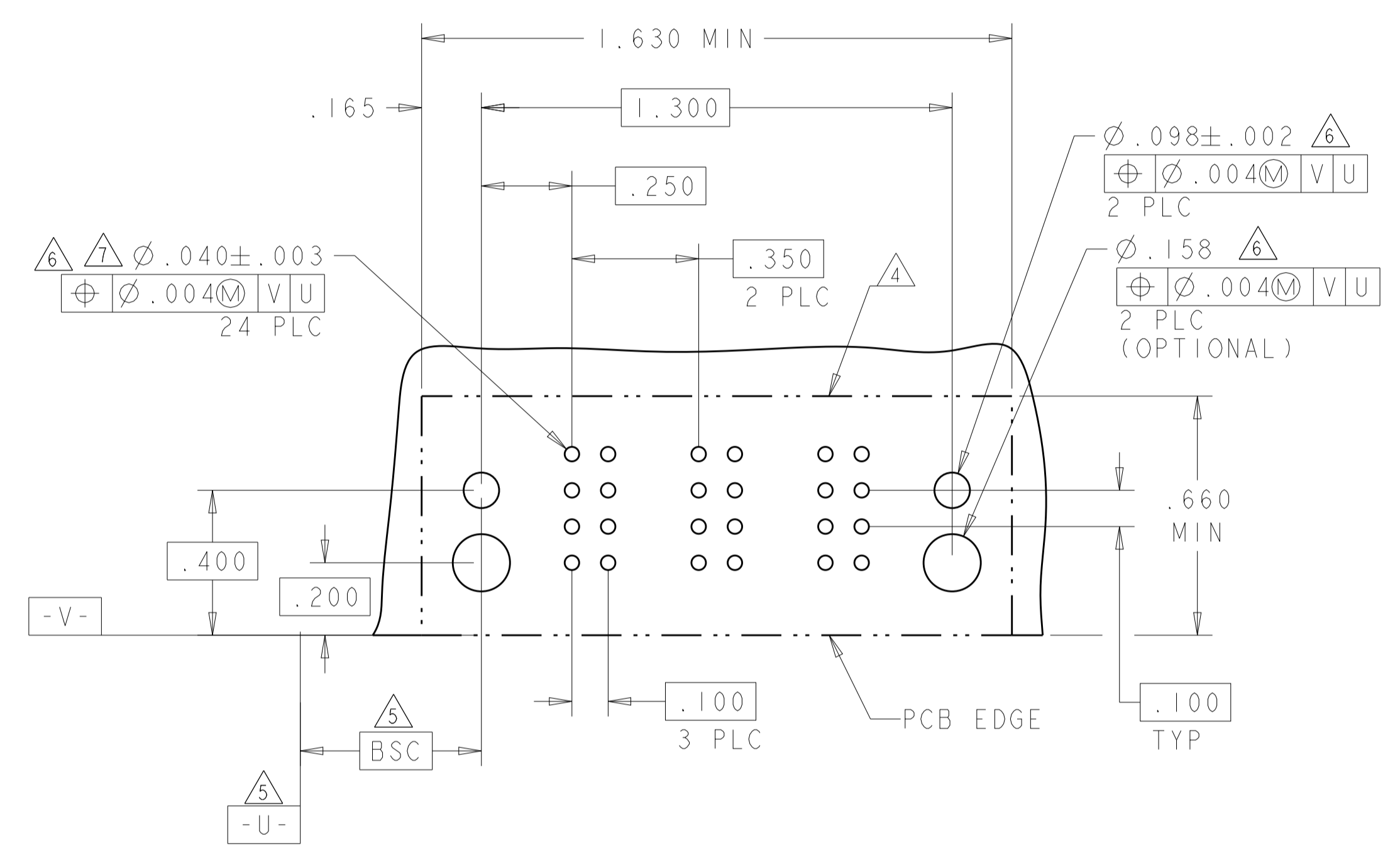
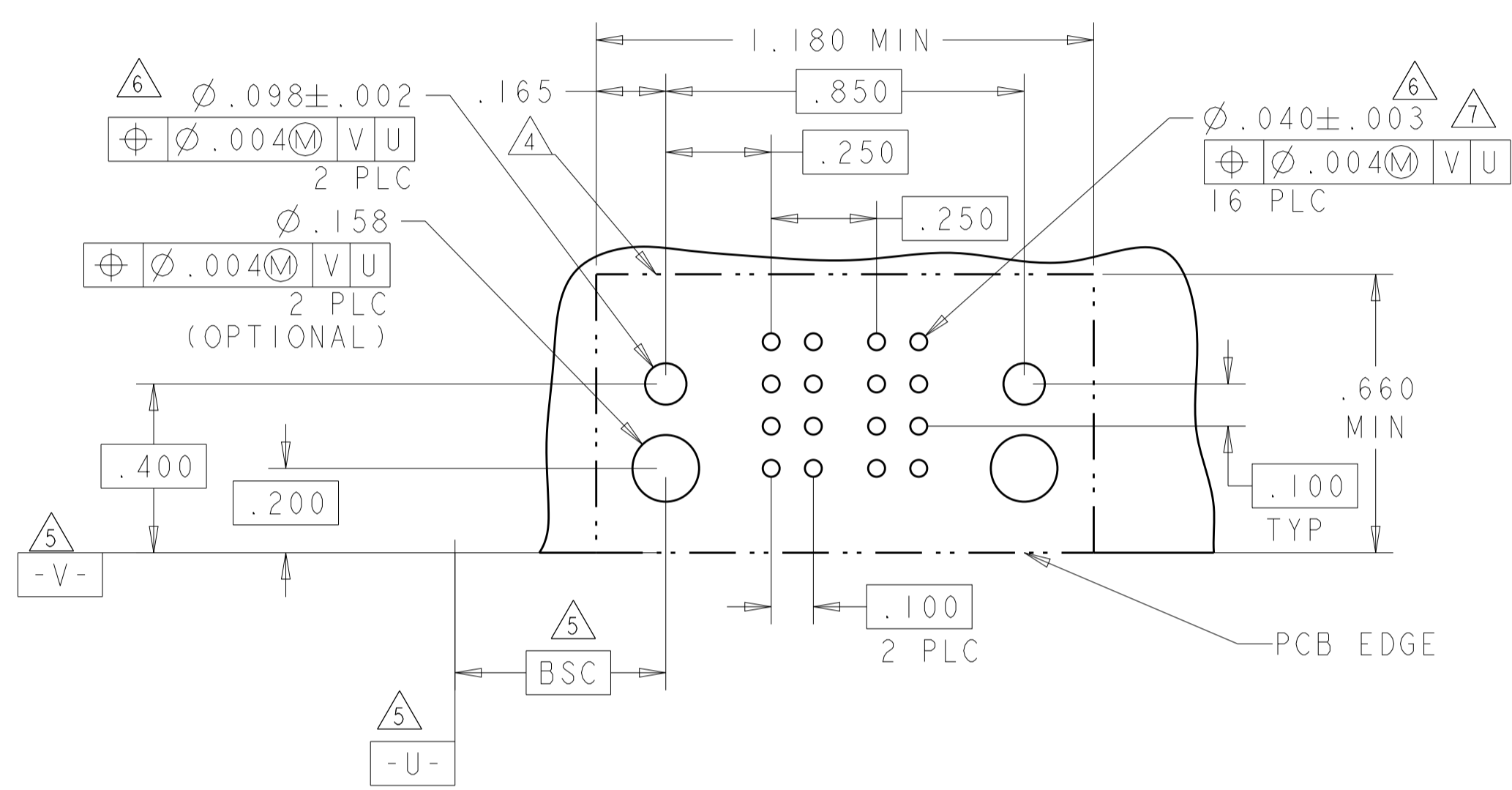
PM	.135
CODE	TAIL LENGTH
POWER CONTACT	

<small>THIS DRAWING IS UNPUBLISHED. RELEASED FOR PUBLICATION BY TYCO ELECTRONICS CORPORATION. ALL RIGHTS RESERVED.</small>		DMN: R. GRZYBOWSKI CHK: M. PERCHERKE APVD: M. PERCHERKE	T11FEB05 T11FEB05 NAME: RIGHT ANGLE HEADER ASSEMBLY W/ LATCH RECEIVERS MULTI-BEAM XL
DIMENSIONS: INCHES 0 PLC ±.01 1 PLC ±.01 2 PLC ±.01 3 PLC ±.005 4 PLC ±.002 ANGLES ±.0020		TOLERANCES UNLESS OTHERWISE SPECIFIED: FINISH:	Tyco Electronics Corporation Shanghai, P.R. 200233
MATERIAL:		WEIGHT:	SIZE: A1 CAGE CODE: 00779 DRAWING NO: 6450129
CUSTOMER DRAWING		SCALE: 4:1	SHEET 2 OF 4 REV: C1

LOC	DIST	REVISIONS			
P	LTH	DESCRIPTION	DATE	OWN	APVD
ES	00	SEE SHEET 1			

PART NUMBER	ROWS	POWER	
		P1	P2
6450129-7	D C B A	PM	PM
2P		HD	HD

PART NUMBER	ROWS	POWER		
		P1	P2	P3
6450129-8	D C B A	PM	PM	PM
3P		HD	HD	HD



PART NUMBER	ROWS	POWER							
		P1	P2	P3	P4	P5	P6	P7	P8
6450129-9	D C B A	PM	PM	PM	PM	PM	PM	PM	PM
8P		HD							HD

<small>THIS DRAWING IS UNPUBLISHED. RELEASED FOR PUBLICATION. IT IS THE PROPERTY OF TYCO ELECTRONICS CORPORATION. IT IS SUBJECT TO CHANGE AND WITHOUT WARRANTY. REVISIONS AND REVISIONS ORGANIZATION SHOULD BE CONTACTED FOR THE LATEST REVISION.</small>		DWN: R. GRZYBOWSKI CHK: M. PERCHERKE APVD: M. PERCHERKE	I1FEB05 I1FEB05 NAME:	Tyco Electronics Corporation Shanghai, P.R. 200233
DIMENSIONS: INCHES	TOLERANCES UNLESS OTHERWISE SPECIFIED: 0 PLC ±. 1 PLC ±.01 2 PLC ±.01 3 PLC ±.005 4 PLC ±.0020 ANGLES ±.020	PRODUCT SPEC: 108-1973 APPLICATION SPEC: 114-13038 WEIGHT:	SIZE: A1 CAGE CODE: 00779 DRAWING NO: 6450129	RESTRICTED TO:
MATERIAL:		CUSTOMER DRAWING		SCALE: 4:1 SHEET: 3 OF 4 REV: C1

