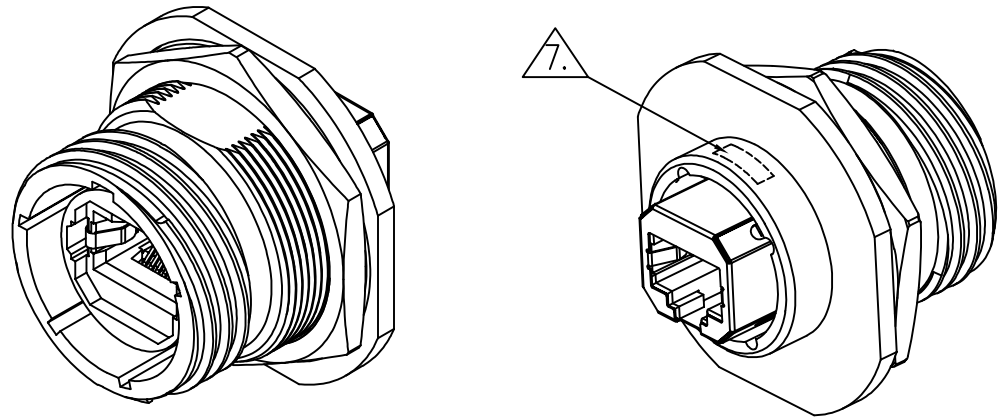
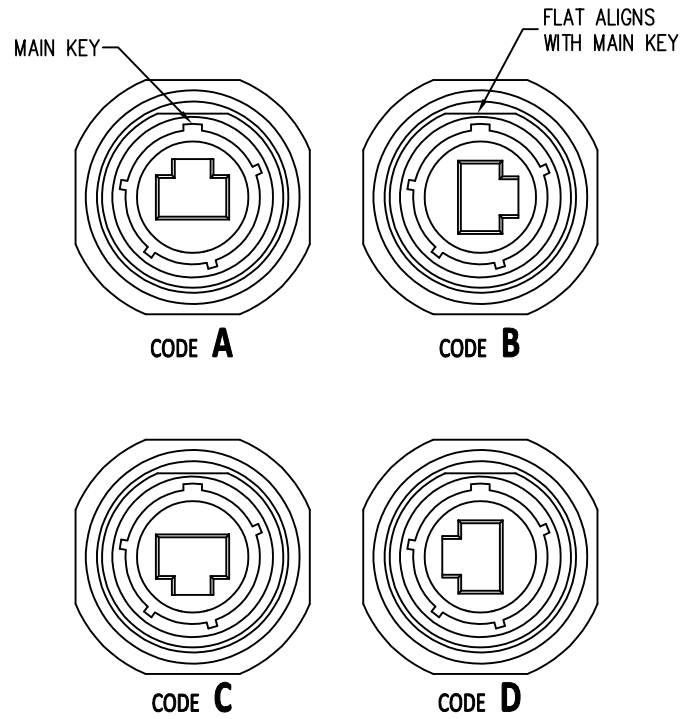


# JAM NUT RECEPTACLE CONNECTOR

DATE	REV	ECN	APP'D. BY
12-2-16	X0	-	ADB
1-11-17	A0	-	DHG
2-08-17	A1	10895	DHG
5-23-17	B0	11009	DHG



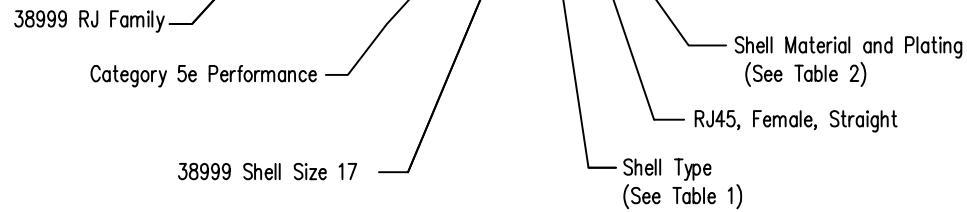
RECEPTACLE CONNECTOR  
AS RECEIVED  
(ISOMETRIC VIEWS)



POLARIZATION CODES  
USE REMOVAL TOOL P/N 2940262-01  
IF RECODING IS NECESSARY

## Part Number Key

**S-RJFTV5E17071G**



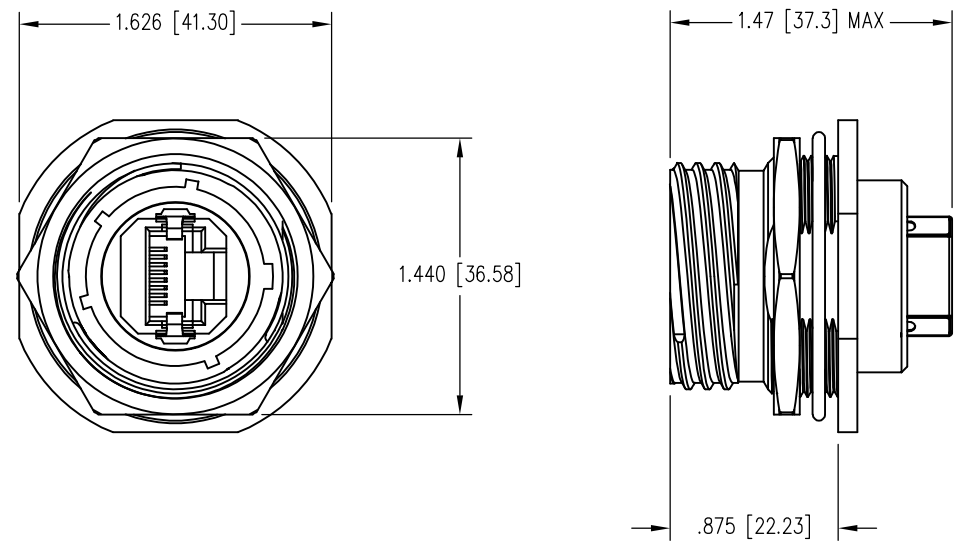
### NOTES:

- CONNECTOR MATERIALS:  
HOUSING: THERMOPLASTIC UL94 V-0  
CONTACTS/SHIELD: COPPER ALLOY  
CONTACT PLATING: 50 MICRO-INCHES [1.27um] SELECTIVE GOLD OR EQUIVALENT  
SHELL MATERIAL AND PLATING: SEE CHART FOR PART NUMBER  
O-RING: SILICONE
- DESIGNED FOR CATEGORY 5e PERFORMANCE  
FOR RJ45 PRODUCT SPECIFICATIONS SEE PRO40-01.
- RJ45 INTERFACE DIMENSIONS AND TOLERANCES  
COMPLY WITH TIA-1096 STANDARD.
- CIRCULAR SHELL COMPLIES WITH MIL-DTL-38999.
- STANDARD PRODUCT IS SUPPLIED ASSEMBLED TO POLARIZATION CODE A
- CONNECTOR ASSEMBLY IS SUPPLIED WITHOUT CORDSET IF LENGTH DESIGNATOR IS BLANK.
- CIRCULAR CONNECTOR IS MARKED WITH DATE CODE IN THIS AREA.
- CIRCULAR CONNECTOR IS SUPPLIED WITH DUST CAPS.

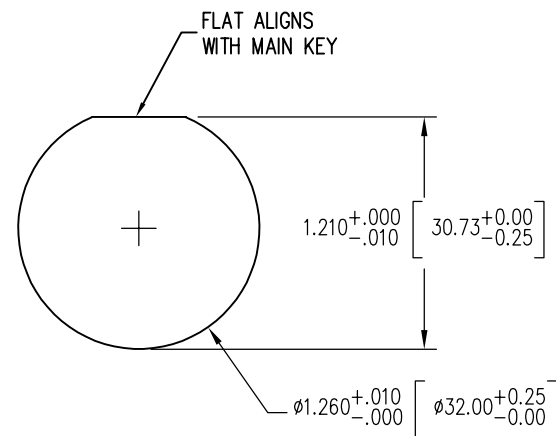
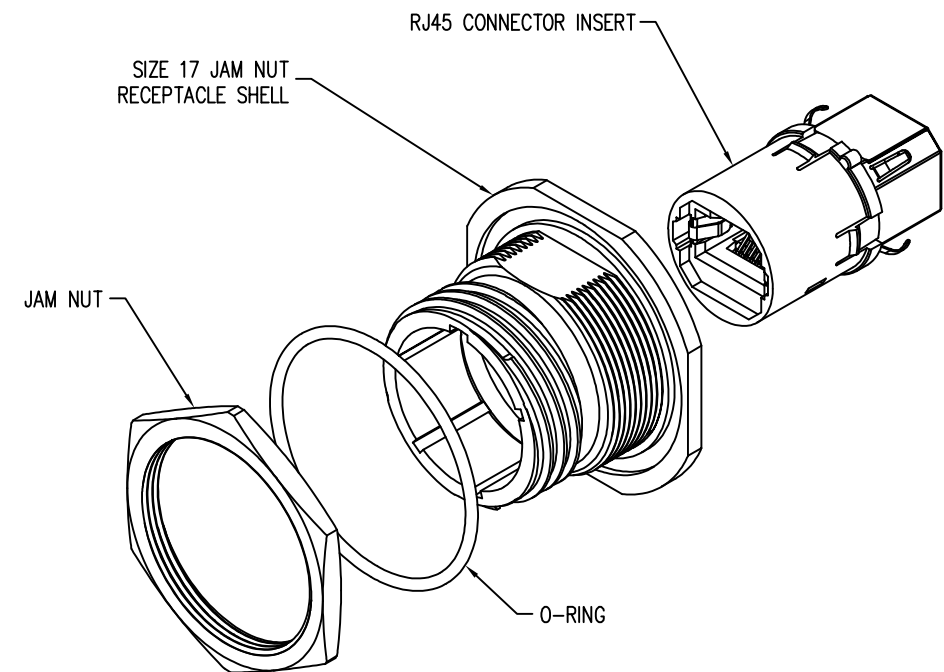
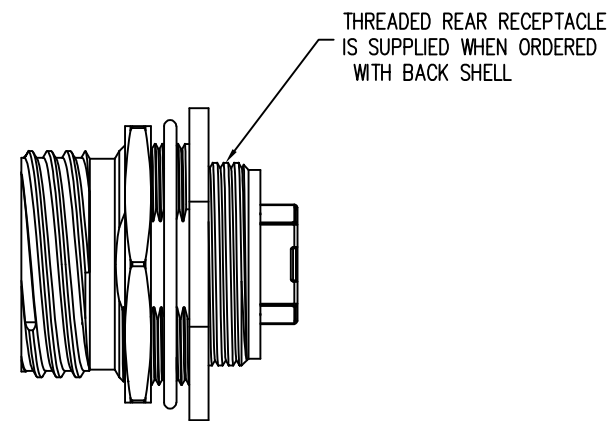
Part Number	Description
07	Receptacle, Jamnut
07BS	Receptacle, Jamnut, IP68 Backshell, Plastic gland
07BSM	Receptacle, Jamnut, IP68 Backshell, Metal gland

Part Number	Description
G	Aluminum shell, Olive drab plating
N	Aluminum shell, Nickel plating (RoHS)
SS	Stainless steel, Passivated (RoHS)
BZ	Marine bronze (RoHS)

THIRD ANGLE PROJECTION 	 a bel group	1118 Susquehanna Trail South Glen Rock, PA 17327-9199 (717) 235-7512 <a href="http://www.stewartconnector.com">http://www.stewartconnector.com</a>
DO NOT SCALE DRAWING DRAWING IS SUBJECT TO CHANGE WITHOUT NOTICE	TITLE: IP68 RECEPTACLE WITH RJ45 INSERT SIZE 17 38999 JAM NUT SHELL	
DIMENSIONS: INCHES [METRIC] UNLESS OTHERWISE SPECIFIED TOLERANCES ARE ±.005 [0.13] ANGLES ARE ± 1°	THIS DRAWING AND THE SUBJECT MATTER SHOWN THEREON ARE CONFIDENTIAL AND THE PROPRIETARY PROPERTY OF STEWART CONNECTOR AND SHALL NOT BE REPRODUCED, COPIED, OR USED IN ANY MANNER WITHOUT PRIOR WRITTEN CONSENT OF STEWART CONNECTOR. ONE OR MORE U.S. PATENTS MAY APPLY TO THIS PRODUCT. FOR DETAILS, PLEASE VISIT: <a href="http://BELFUSE.COM/STEWART/STEWART_PATENTS/">HTTP://BELFUSE.COM/STEWART/STEWART_PATENTS/</a>	DRN BY: DHG DATE 11-15-16 APPD BY: ADB DATE 12-2-16 DWG NO. CT600172 REV. B0
SHEET NO. 1 OF 3		

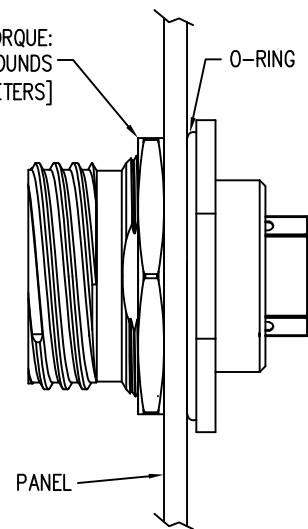


ASSEMBLED DIMENSIONS  
(POLARIZATION CODE A SHOWN)



PANEL CUTOUT  
.125 [3.2] MAX PANEL THICKNESS

RECOMMENDED JAM NUT TORQUE:  
80 TO 85 INCH-POUNDS  
[9 TO 9.6 NEWTON-METERS]



THIRD ANGLE PROJECTION 	 stewart CONNECTOR a bel group	1118 Susquehanna Trail South Glen Rock, PA 17327-9199 (717) 235-7512 <a href="http://www.stewartconnector.com">http://www.stewartconnector.com</a>
DO NOT SCALE DRAWING DRAWING IS SUBJECT TO CHANGE WITHOUT NOTICE	TITLE: IP68 RECEPTACLE WITH RJ45 INSERT SIZE 17 38999 JAM NUT SHELL	
DIMENSIONS: INCHES [METRIC]	THIS DRAWING AND THE SUBJECT MATTER SHOWN THEREON ARE CONFIDENTIAL AND THE PROPRIETARY PROPERTY OF STEWART CONNECTOR AND SHALL NOT BE REPRODUCED, COPIED, OR USED IN ANY MANNER WITHOUT PRIOR WRITTEN CONSENT OF STEWART CONNECTOR. ONE OR MORE U.S. PATENTS MAY APPLY TO THIS PRODUCT. FOR DETAILS, PLEASE VISIT: <a href="http://BELFUSE.COM/STEWART/STEWART_PATENTS/">HTTP://BELFUSE.COM/STEWART/STEWART_PATENTS/</a>	DRN BY: DHG DATE: 11-15-16
UNLESS OTHERWISE SPECIFIED TOLERANCES ARE ±.005 [0.13] ANGLES ARE ± 1°		APPD BY: ADB DATE: 12-2-16
SHEET NO. 2 OF 3	DWG NO. CT600172	REV. B0

# JAM NUT RECEPTACLE CONNECTOR WITH BACK SHELL, SEALING GLAND, AND CORDSET

Part Number	Standard Length (Meters) [Inches]
03	0.3 [11.8]
05	0.5 [19.7]
10	1.0 [39.4]
15	1.5 [59.1]

For Lengths Not Shown Follow Part Number Key Format. Supplied Without Cordset if Designator is Blank

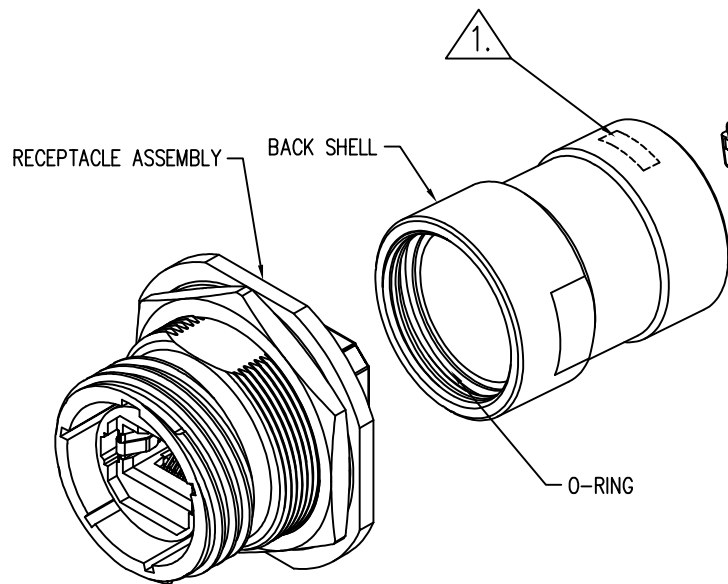
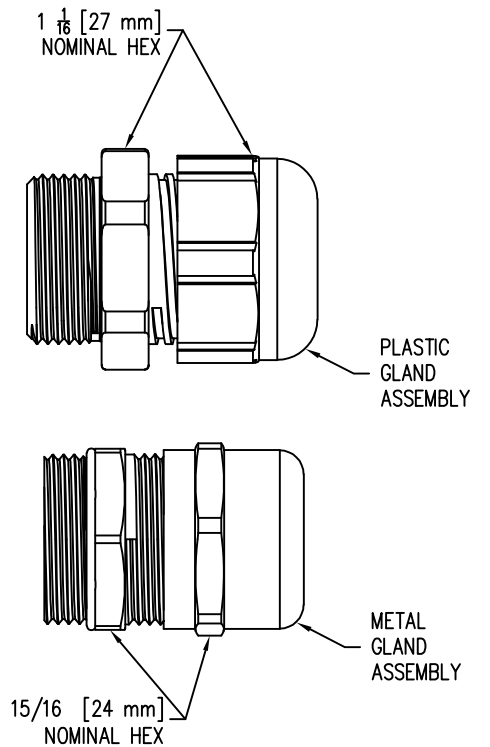
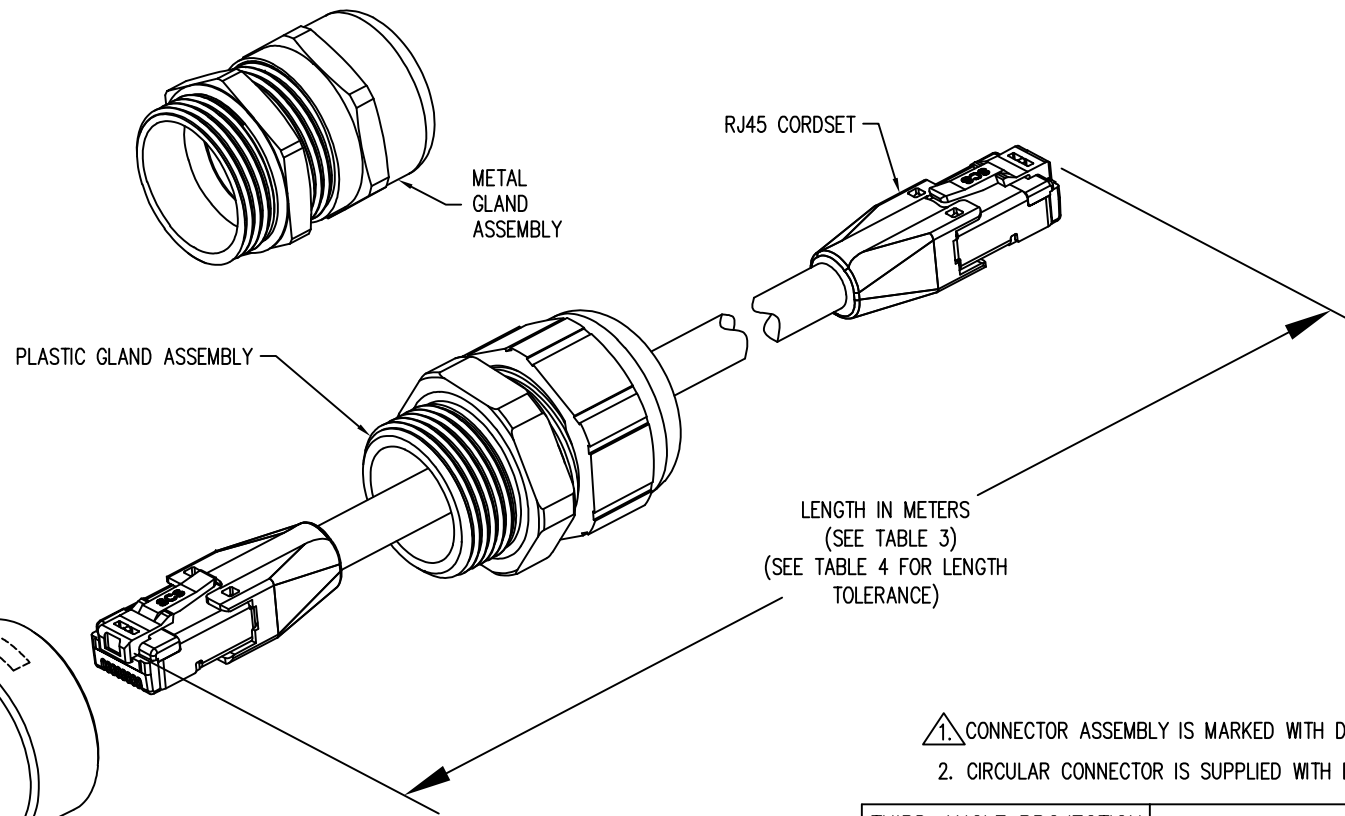
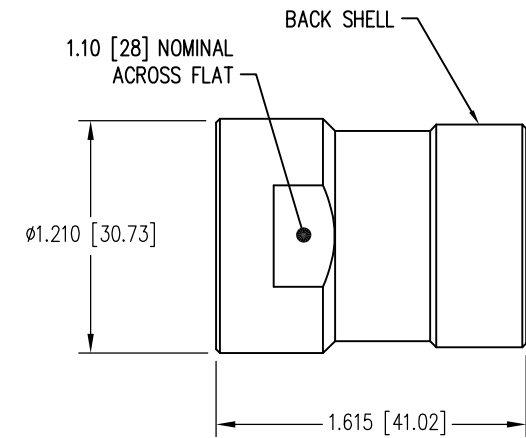
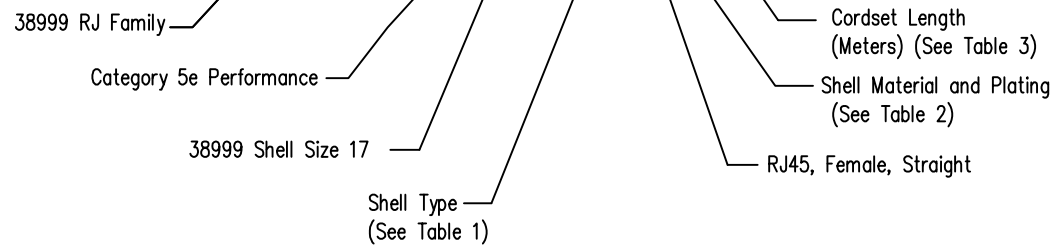
Cable Length = Meters [inches]	Tolerance = MM [inches]
0.5 [19.7] TO 2.5 [98.4]	+100 [3.90] / -0 [0.00]
3.0 [118] TO 10 [394]	+150 [5.91] / -0 [0.00]

### NOTES:

- SEALING GLAND RECOMMENDED TORQUE VALUES:  
 PLASTIC GLAND:  
 GLAND TO SHELL = 53 In-Lbs [6 Nm]  
 GLAND TO CABLE = 29.2 In-Lbs [3.3 Nm]  
 METAL GLAND:  
 GLAND TO SHELL = 66.4 In-Lbs [7.5 Nm]  
 GLAND TO CABLE = 66.4 In-Lbs [7.5 Nm]
- BACK SHELL TO RECEPTACLE RECOMMENDED TORQUE:  
 40 TO 50 INCH-POUNDS [4.5 TO 5.6 NEWTON-METERS]

### Part Number Key

## S-RJFTV5E1707BS1G03



RECEPTACLE CONNECTOR WITH BACK SHELL, GLAND AND CORDSET AS RECEIVED (EXPLODED VIEW)

- CONNECTOR ASSEMBLY IS MARKED WITH DATE CODE IN THIS AREA.
- CIRCULAR CONNECTOR IS SUPPLIED WITH DUST CAPS.

THIRD ANGLE PROJECTION	 <b>stewart</b> CONNECTOR a bel group	1118 Susquehanna Trail South Glen Rock, PA 17327-9199 (717) 235-7512 <a href="http://www.stewartconnector.com">http://www.stewartconnector.com</a>	
DO NOT SCALE DRAWING DRAWING IS SUBJECT TO CHANGE WITHOUT NOTICE		<b>TITLE:</b> IP68 RECEPTACLE WITH RJ45 INSERT SIZE 17 38999 JAM NUT SHELL	
DIMENSIONS: INCHES [METRIC]	THIS DRAWING AND THE SUBJECT MATTER SHOWN THEREON ARE CONFIDENTIAL AND THE PROPRIETARY PROPERTY OF STEWART CONNECTOR AND SHALL NOT BE REPRODUCED, COPIED, OR USED IN ANY MANNER WITHOUT PRIOR WRITTEN CONSENT OF STEWART CONNECTOR. ONE OR MORE U.S. PATENTS MAY APPLY TO THIS PRODUCT. FOR DETAILS, PLEASE VISIT: <a href="http://BELFUSE.COM/STEWART/STEWART_PATENTS/">HTTP://BELFUSE.COM/STEWART/STEWART_PATENTS/</a>	DRN BY: DHG	DATE: 11-15-16
UNLESS OTHERWISE SPECIFIED TOLERANCES ARE ±.005 [0.13] ANGLES ARE ± 1°		APPD BY: ADB	DATE: 12-2-16
SHEET NO. 3 OF 3	DWG NO. CT600172	REV. B0	