

Full metal top entry hoods  
with premounted threaded inserts

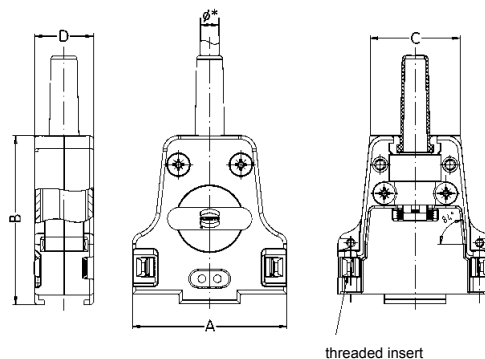
Identification      No. of contacts      Part number      Drawing      Dimensions in mm

### Top entry hood

9	09 67 009 032
15	09 67 015 032
25	09 67 025 032
37	09 67 037 032
50	09 67 050 032

Please insert digit  
for premounted insert

- thread 4-40 UNC ▶ 2
- thread M3 ▶ 3



Poles	A	B	C	D	Ø F1		Ø F2	Ø F3
					Min.	Max.		
9	31.6	42.0	20.8	15.2	3.0	9.5	6.5	–
15	40.0	43.5	23.3	15.2	3.0	8.5	6.5	12.5
25	53.7	47.5	31.7	15.2	3.0	8.5	8.0	12.5
37	70.2	50.5	48.2	18.2	3.0	12.0	9.0	15.0
50	67.8	50.5	45.8	18.2	3.0	12.0	9.7	15.0

\* Cable diameter without rubber bushing = Ø F1  
 Cable diameter with rubber bushing = Ø F2  
 Cable diameter without rubber bushing  
 and without cable reduction plate = Ø F3

### Locking hook

09 67 002 9031<sup>1)</sup>

### Latch lock bolt

Front mount

- thread 4-40 UNC
- thread M3

09 67 002 9041<sup>1)</sup>  
 09 67 002 9042<sup>1)</sup>

Rear mount

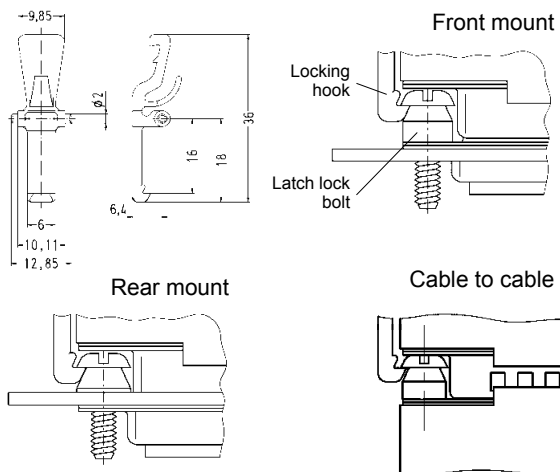
- thread 4-40 UNC
- thread M3

09 67 002 9032<sup>1)</sup>  
 09 67 002 9040<sup>1)</sup>

Cable to cable

- thread 4-40 UNC
- thread M3

09 67 002 9044<sup>1)</sup>  
 09 67 002 9045<sup>1)</sup>



<sup>1)</sup> Order 2 for each hood  
 Operating temperature for all hoods on this page: -35 °C ... +100 °C