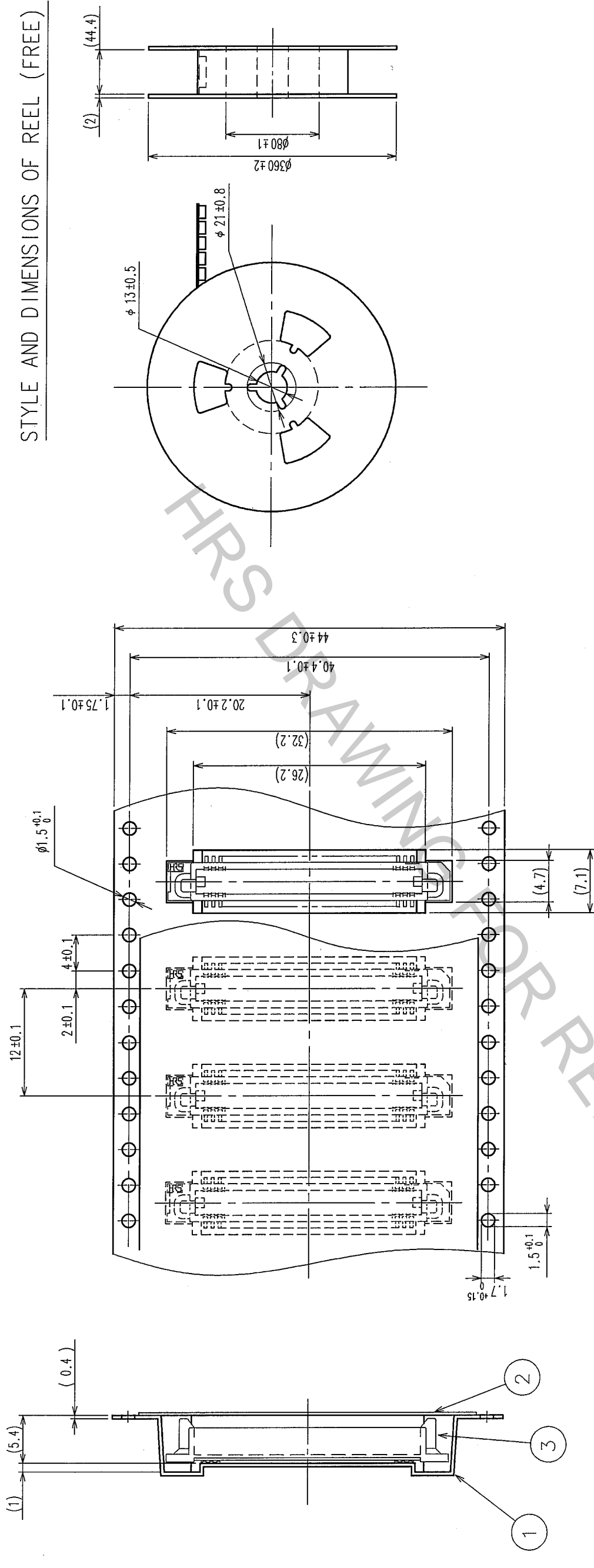
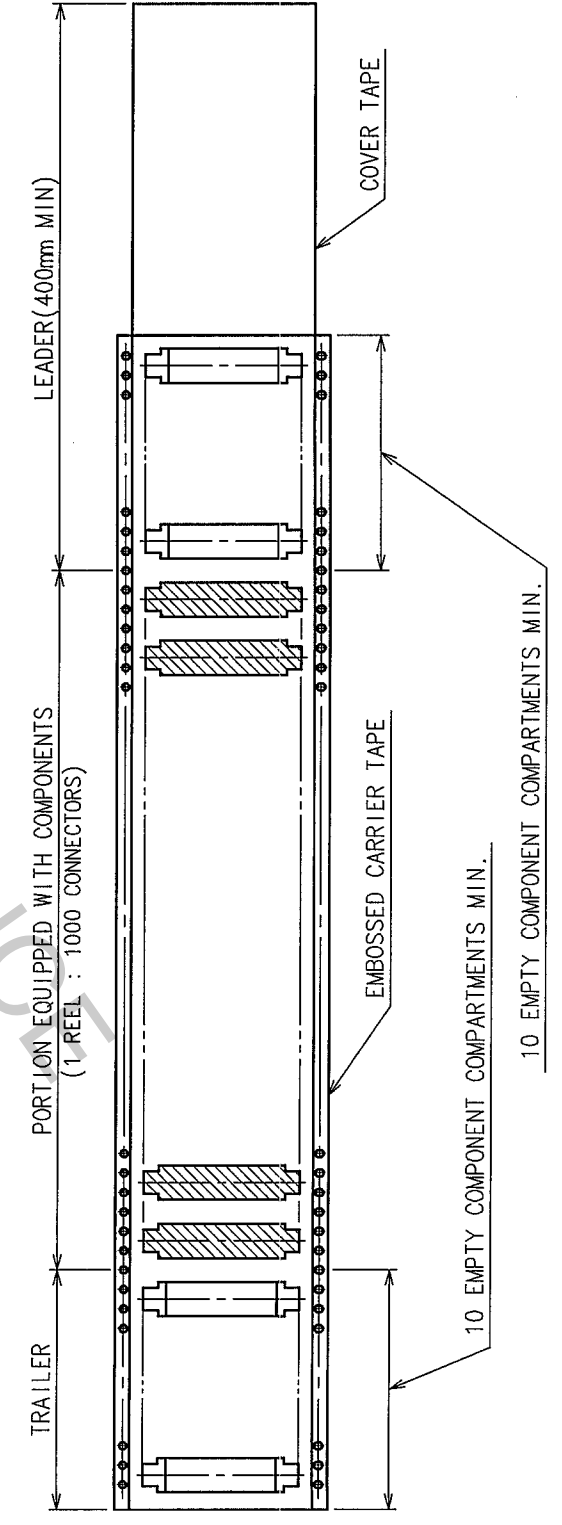


COUNT	DESCRIPTION OF REVISIONS	BY	CHKD	DATE	COUNT	DESCRIPTION OF REVISIONS	BY	CHKD	DATE



STYLE AND DIMENSIONS OF REEL (FREE)



NOTE 1 THE DIMENSIONS IN PARENTHESES ARE FOR REFERENCE.
2 1 REEL : 1000 CONNECTORS.

2	POLYESTER	COVER TAPE	COVER TAPE	3	(CONNECTOR)
1	POLYSTYRENE	EMBOSSED CARRIER TAPE	EMBOSSED CARRIER TAPE	3	(CONNECTOR)
NO.	MATERIAL	FINISH, REMARKS	NO.	MATERIAL	FINISH, REMARKS
CODE NO. (OLD)					
DRAWING FOR PACKING					
DRAWN		DESIGNED		CHECKED	
Y. AOYAGI		J. Noda		K. Ogawa / H. Kawara	
'05.09.16		'05.09.26		'05.09.27	
DRAWING NO.			PART NO.		
EDC3-071324-22			FX6A-60P-0.8SV(92)		
SCALE			CODE NO.		
2 : 1			CL576-0205-3-92		
UNITS			HIROSE ELECTRIC CO., LTD		
mm			2		