

ebm-papst Mulfingen GmbH & Co. KG

Bachmühle 2

D-74673 Mulfingen

Phone: +49(0)7938/81-0

Fax: +49(0)7938/81-110

info1@de.ebmpapst.com

www.ebmpapst.com

Nominal data

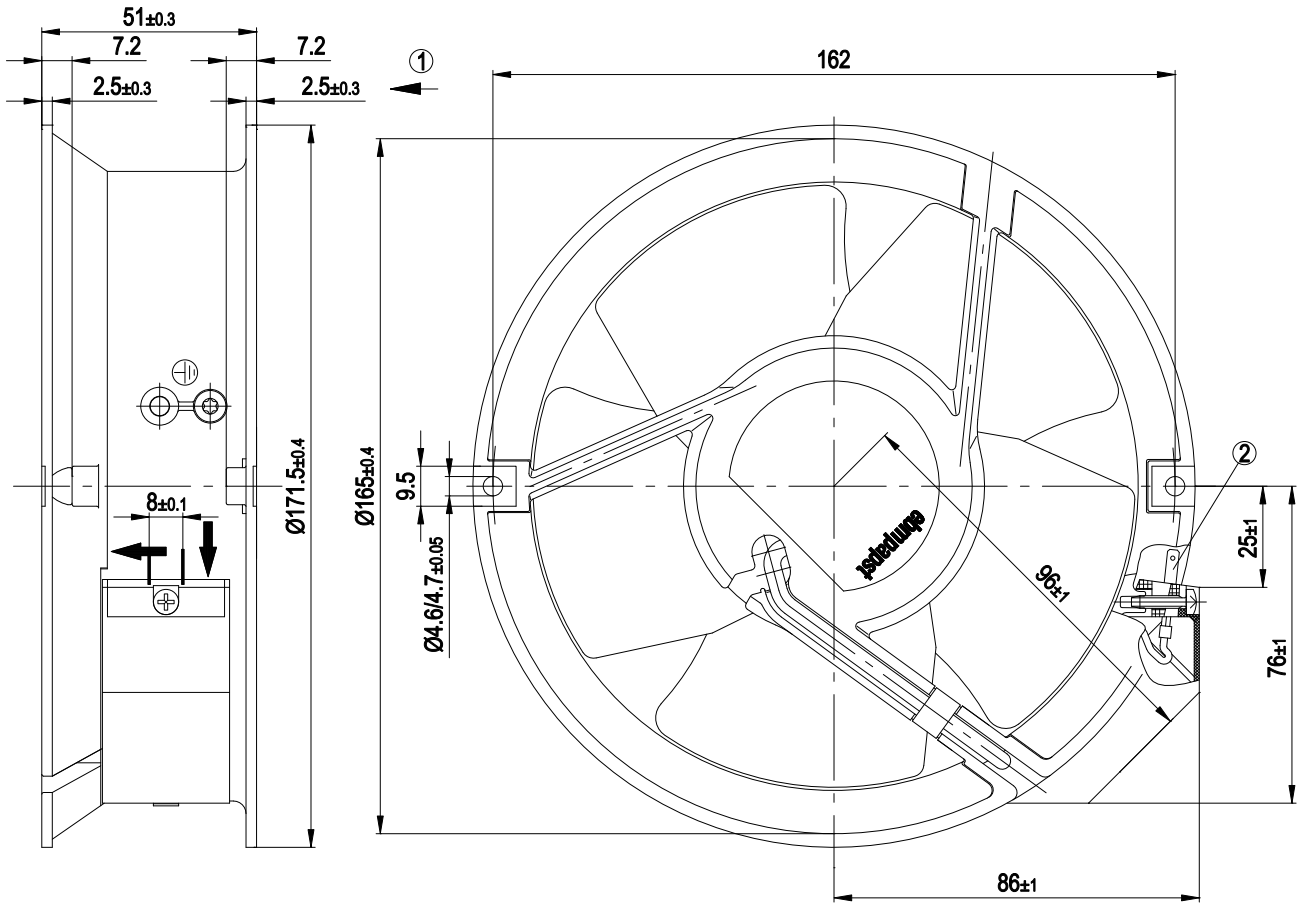
| | | | |
|-------------------------------|-----------------------|---------|---------|
| Type | W2E143-AB15-01 | | |
| Motor | M2E052-BF | | |
| Phase | | 1~ | 1~ |
| Nominal voltage | [V] | 115 | 115 |
| Frequency | [Hz] | 50 | 60 |
| Type of data definition | | rfa | rfa |
| Valid for approval / standard | | CE | CE |
| Speed | [min ⁻¹] | 2850 | 3300 |
| Power input | [W] | 26 | 29 |
| Current draw | [A] | 0.25 | 0.26 |
| Motor capacitor | [µF] | 3 | 3 |
| Capacitor voltage | [VDB] | 250 | 250 |
| Capacitor standard | | P0 (CE) | P0 (CE) |
| Max. ambient temperature | [°C] | 60 | 75 |

ml = max. load · me = max. efficiency · rfa = running at free air · cs = customer specs · cu = customer unit
Subject to alterations

Technical features

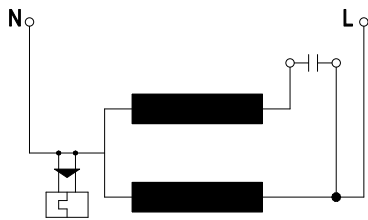
| | |
|---|---|
| Leakage current | < 0.75 mA |
| Size | 143 mm |
| Operation mode | S1 |
| Direction of rotation | Counter-clockwise, seen on rotor |
| Mounting position | Any |
| Electrical leads | With plug |
| Direction of air flow | "V" |
| Insulation class | "B" |
| Condensate discharge holes | None, open rotor |
| Bearing motor | Ball bearing |
| Mass | 0.95 kg |
| Material of blades | Sheet steel, coated in black |
| Material of wall ring | Die-cast aluminium, coated in black |
| Motor protection | Thermal overload protector (TOP) wired internally |
| Product conforming to standard | CE; EN 60335-1 |
| Surface of rotor | Rotor open, coated in black |
| Number of blades | 5 |
| Type of protection | IP 20 |
| Protection class | I (if earth wire is connected by customer) |
| Max. permissible ambient motor temp. (transp./ storage) | + 80 °C |
| Min. permissible ambient motor temp. (transp./storage) | - 40 °C |
| Approval | CCC; CSA C22.2 Nr.113; GOST; UL 507; VDE |

Product drawing

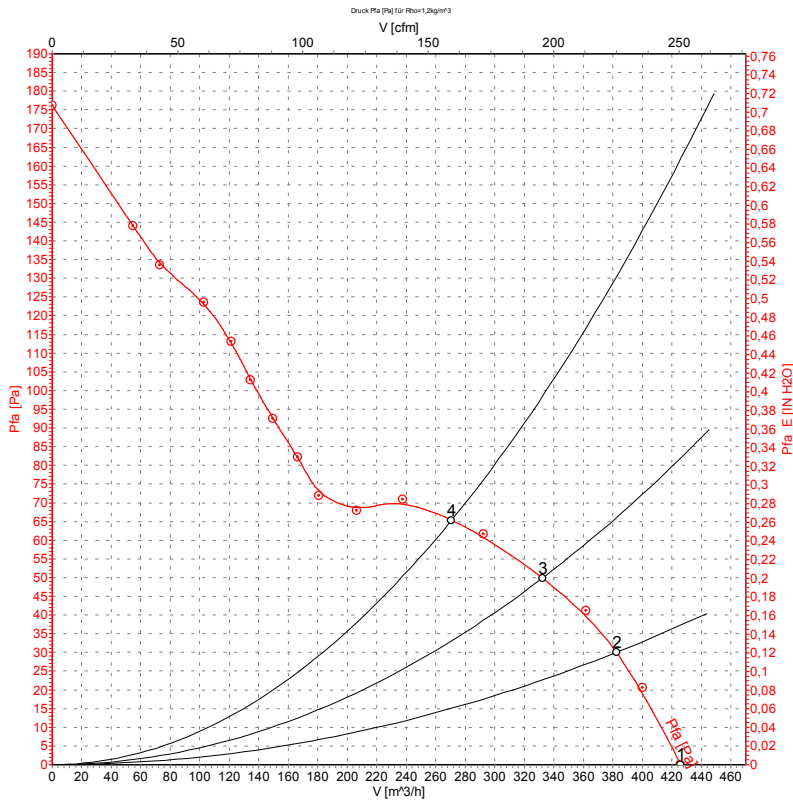


| | |
|---|-----------------------------|
| 1 | Direction of air flow "V" |
| 2 | Blade terminal 2.8 x 0.5 mm |

Connection screen



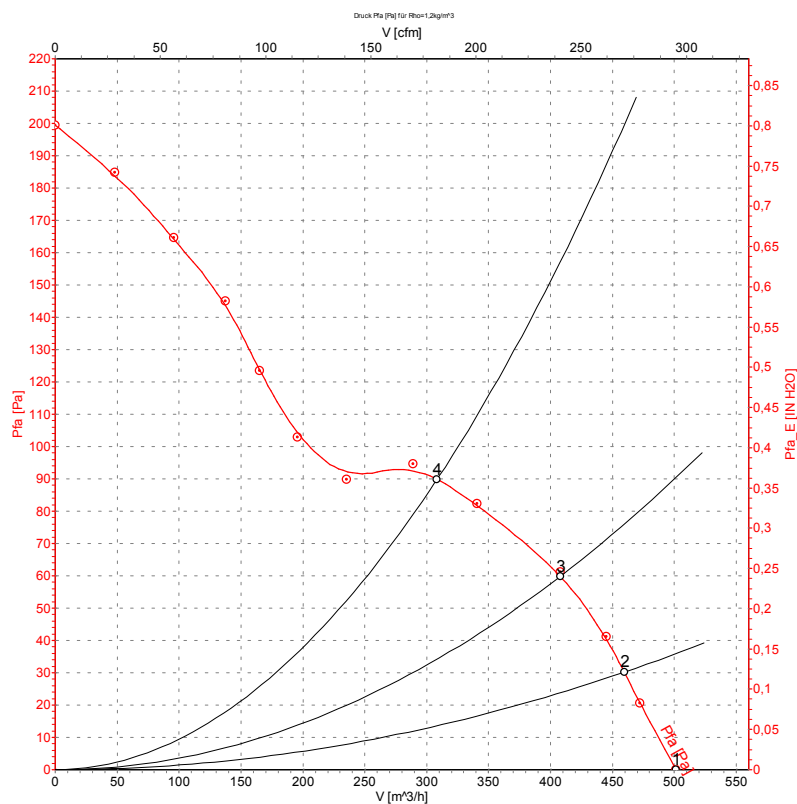
Charts: Air flow 50 Hz



Measured values

| | U | f | n | P ₁ | I | Ŵ | P _{fa} |
|---|-----|------|----------------------|----------------|------|---------------------|-----------------|
| | [V] | [Hz] | [min ⁻¹] | [W] | [A] | [m ³ /h] | [Pa] |
| 1 | 115 | 50 | 2850 | 26 | 0.25 | 425 | 0 |
| 2 | 115 | 50 | 2790 | 27 | 0.25 | 380 | 30 |
| 3 | 115 | 50 | 2775 | 27 | 0.26 | 330 | 50 |
| 4 | 115 | 50 | 2765 | 28 | 0.26 | 270 | 65 |

Charts: Air flow 60 Hz



Measurement: LU-31565

Measured values

| | U | f | n | P ₁ | I | \hat{V} | P _{fa} |
|---|-----|------|----------------------|----------------|------|-----------|-----------------|
| | [V] | [Hz] | [min ⁻¹] | [W] | [A] | [m³/h] | [Pa] |
| 1 | 115 | 60 | 3300 | 29 | 0.26 | 500 | 0 |
| 2 | 115 | 60 | 3230 | 32 | 0.27 | 460 | 30 |
| 3 | 115 | 60 | 3200 | 33 | 0.28 | 410 | 60 |
| 4 | 115 | 60 | 3165 | 34 | 0.29 | 310 | 90 |