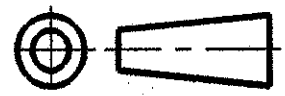


DO NOT SCALE

DIMENSIONS IN mm

METRIC

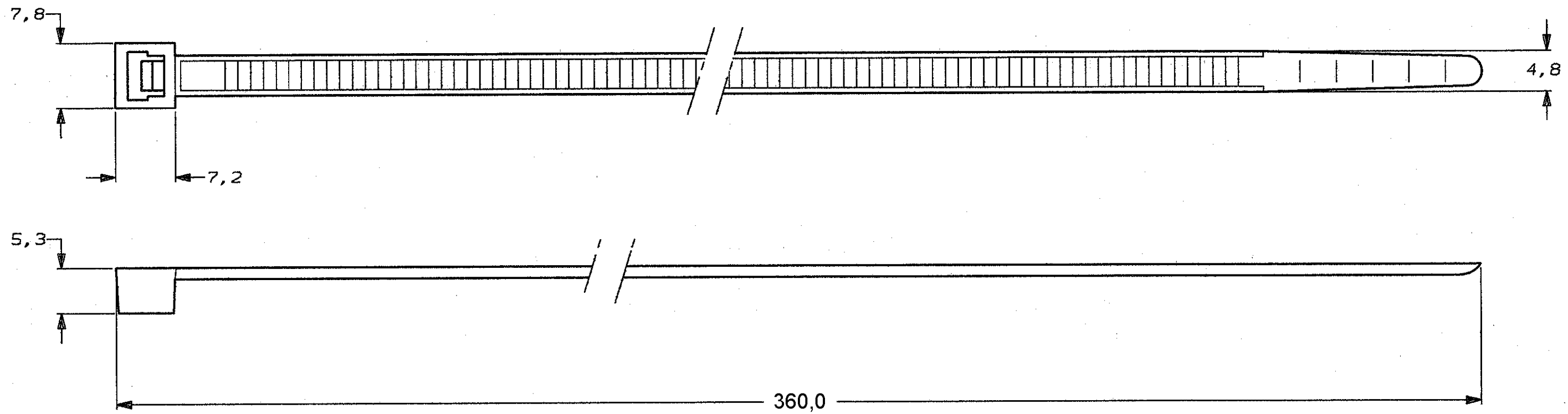
THIRD ANGLE  
PROJECTION



NOTE:

1 RANGE:  $\varnothing 103$  MAX.

2 MIN. TENSILE STRENGTH 220N.



100	BLACK	POLYAMIDE 6.6	2-160978-2
100	NATURAL	POLYAMIDE 6.6	2-160978-1
QTY	FINISH	MATERIAL	PARTNUMBER
-	-	-	-
-	-	-	-
-	-	-	-
-	-	-	-
<b>CUSTOMER DRAWING</b> FOR REFERENCE ONLY WILL NOT BE UPDATED © COPYRIGHT 19- BY AMP HOLLAND B.V. ALL INTERNATIONAL RIGHTS RESERVED. AMP PRODUCTS MAY BE COVERED BY U.S. AND FOREIGN AND/OR PATENTS PENDING. THIS DRAWING IS UNPUBLISHED RELEASED FOR PUBLICATION _____, 19____			
B	ECR-07-028721	DC TdB	29NOV07
A	H-9856	JvdH RV	04-06-92
O	H-9599	JvdH RV	27-02-92
LTR.	REVISION RECORD	DR.	CHK. DATE
DR. J.V.D.HEIJDEN	CHK. R.VOS.	APP. L.V.SOEST.	DWG. No.
DATE: 27-02-92	DATE: -	DATE: -	C-160978
			REV. LTR. SHEET
			B 1 OF 1 A3