

NOTES:

1. MATERIALS AND FINISHES:

BODY - BRASS - TIN PLATED
 CONTACT - BeCu - GOLD PLATED
 SPRING CLIP - BeCu - TIN PLATED
 INSULATOR - PTFE

2. PHYSICAL:

OPERATING TEMPERATURE = -40°C to +105°C
 DURABILITY = 150 MATING CYCLES MINIMUM
 INSERTION/WITHDRAWAL FORCES = 1.0 LB. MIN. TO 8.0 LB. MAX. WHEN TESTED IN A $\varnothing 9.78 \pm 0.05$ BORE

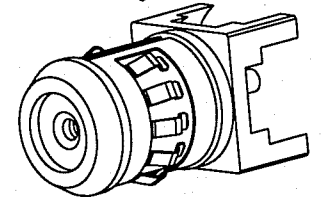
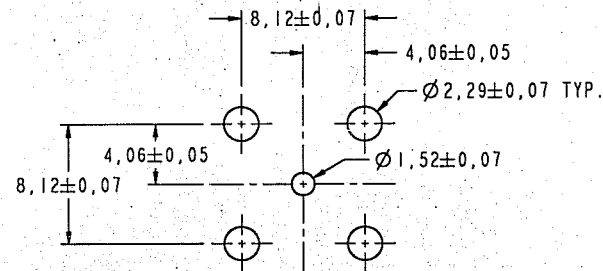
3. ELECTRICAL:

RETURN LOSS = 28 dB MINIMUM FROM DC TO 1.2 GHz
 INSERTION LOSS = 0.10 dB MAXIMUM FROM DC TO 1.2 GHz
 AC CURRENT RATING = 15 AMP CONTINUOUS, 24 AMPS FOR 2 HOURS
 PEAK VOLTAGE RATING = 1,000 VAC, 50/60 Hz

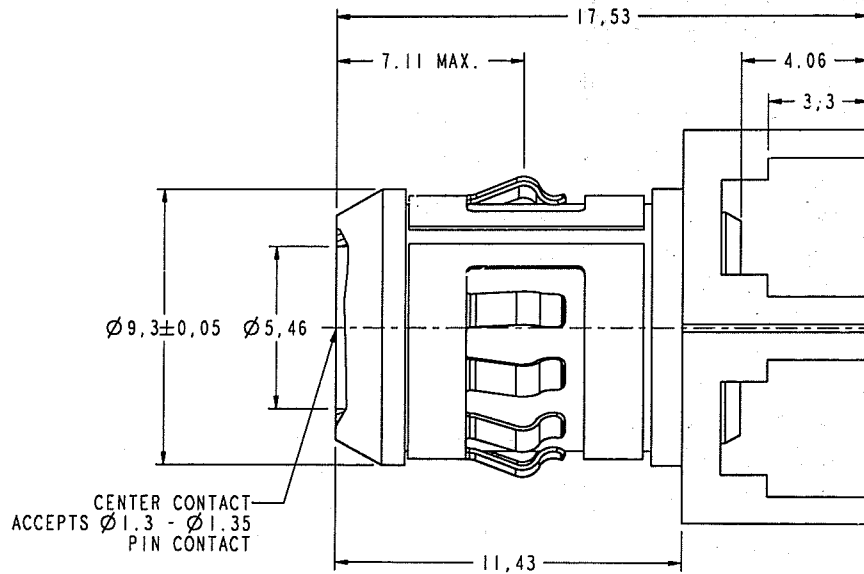
THIRD ANGLE PROJ.

REVISIONS

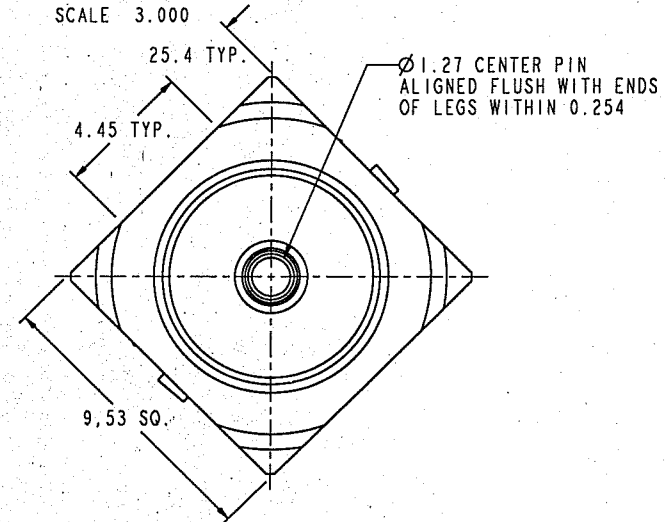
REV	DESCRIPTION	DATE	ECO	APPR
A	RELEASE TO MFG	02-Sep-99	43102	FO
B	REVISED I.A.W. CUSTOMER SPECIFICATION	9/15/00	43231	BCG
C	SEE SHEET I	7/11/01	43791	CPM
D	TRANSFERRED TO ARFA	24-Aug-10		



SCALE 3.000



RECOMMENDED MOUNTING HOLE PATTERN
 SCALE 3.000



CUSTOMER OUTLINE DRAWING
 ALL OTHER SHEETS ARE FOR INTERNAL USE ONLY

UNLESS OTHERWISE SPECIFIED, DIMENSIONS ARE IN METRIC AND TOLERANCES ARE:
 < 0.5mm ± 0.05mm 0.5 - 6mm ± 0.1mm 6 - 30mm ± 0.2mm 30 - 120mm ± 0.3mm ANGLES ± 1°

NOTICE - These drawings, specifications, or other data (1) are, and remain the property of Amphenol Corp. (2) must be returned upon request; and (3) are confidential and not to be disclosed to any person other than those to whom they are given by Amphenol Corp. The furnishing of these drawings, specifications, or other data by Amphenol Corp., or to any other person to anyone for any purpose is not to be regarded by implication or otherwise in any manner licensing, granting rights, to permitting such holder or any other person to manufacture, use or sell any product, process or design, patented or otherwise, that may in any way be related to or disclosed by said drawings, specifications, or other data.

MATERIAL

REFERENCE
 G-1, P/N 46B216
 EAR #967161-0
 GEN# ASSY-G1-BOARD

FINISH

DRAWN
 JASON

ENGINEER
 F.ORBETA

APPROVED
 SCOTT.H

CAD FILE

I:\CATV\F&G\531-40070

DATE
 23-Aug-10

DATE
 12-Jan-99

DATE
 23-Aug-10

TITLE

"G" JACK, PCB MOUNT,
 $\varnothing .052$ " MATING PLUG

SCALE: 6.0:1.0 SHEET 1 OF 1

DWG SIZE
 B

REV
 D

Amphenol RF

Danbury CT USA, Tainan, Taiwan, Shenzhen, China
 www.amphenolrf.com

DRAWING NO. 531-40070

ITEM NO. 531-40070

PART NO. 531-40070