



dsPIC30F1010/202X

dsPIC30F1010/202X Family Silicon Errata and Data Sheet Clarification

The dsPIC30F1010/202X family devices that you have received conform functionally to the current Device Data Sheet (DS70178C), except for the anomalies described in this document.

The silicon issues discussed in the following pages are for silicon revisions with the Device and Revision IDs listed in [Table 1](#). The silicon issues are summarized in [Table 2](#).


The errata described in this document will be addressed in future revisions of the dsPIC30F1010/202X silicon.

Note: This document summarizes all silicon errata issues from all revisions of silicon, previous as well as current. Only the issues indicated in the last column of [Table 2](#) apply to the current silicon revision (**A3**).

Data Sheet clarifications and corrections start on [Page 17](#), following the discussion of silicon issues.

The silicon revision level can be identified using the current version of MPLAB® IDE and Microchip’s programmers, debuggers, and emulation tools, which are available at the Microchip corporate web site (www.microchip.com).

For example, to identify the silicon revision level using MPLAB IDE in conjunction with a hardware debugger:

1. Using the appropriate interface, connect the device to the hardware debugger.
2. Open an MPLAB IDE project.
3. Configure the MPLAB IDE project for the appropriate device and hardware debugger.
4. Based on the version of MPLAB IDE you are using, do one of the following:
 - a) For MPLAB IDE 8, select *Programmer > Reconnect*.
 - b) For MPLAB X IDE, select *Window > Dashboard* and click the **Refresh Debug Tool Status** icon ().
5. Depending on the development tool used, the part number *and* Device Revision ID value appear in the **Output** window.

Note: If you are unable to extract the silicon revision level, please contact your local Microchip sales office for assistance.

The DEVREV values for the various dsPIC30F1010/202X silicon revisions are shown in [Table 1](#).

TABLE 1: SILICON DEVREV VALUES

Part Number	Device ID	Revision ID for Silicon Revision ⁽¹⁾			
		A0	A1	A2	A3
dsPIC30F1010	0x4040	0x1000	0x1001	0x1002	0x1003
dsPIC30F2020	0x4000				
dsPIC30F2023	0x4030				

Note 1: Refer to the “dsPIC30F Family Reference Manual, Section 4. Program Memory” (DS70051) for detailed information on Device and Revision IDs for your specific device.

dsPIC30F1010/202X

TABLE 2: SILICON ISSUE SUMMARY

Module	Feature	Item Number	Issue Summary	Affected Revisions ⁽¹⁾			
				A0	A1	A2	A3
PWM	PWM Dead Time	1.	If a value less than 0x0010 is written to the DTRx and ALTDTRx registers, either or both of the PWMxH and PWMxL outputs will not function.	X	X	X	X
PWM	PWM Duty Cycle	2.	Duty cycle resolution is not 1.1 ns over the entire duty cycle range.	X	X	X	X
PWM	PWM Trigger	3.	The PWM Special Event Trigger and PWM Individual Trigger do not function near the beginning of the PWM period.	X	X	X	X
PWM	PWM Override Enable	4.	The PWM override feature does not work correctly.	X	X	X	X
PWM	PWM Duty Cycle	5.	When the PWM module is operated with immediate duty cycle updates enabled, any duty cycle value less than or equal to 0x0010 causes the PWM outputs to flip to the inverted state.	X	X	X	X
PWM	PWM Override Priority	6.	The PWM Fault, current-limit and output override priorities do not work correctly.	X	X	X	X
PWM	PWM Jitter	7.	The PWM output may exhibit an occasional jitter proportional to the operating speed of the dsPIC30F1010/202X devices.	X	X	X	X
ADC	ADC Global Software Trigger	8.	The Global Software Trigger bit (GSWTRG in the ADCON register) is not reset unless the PxRDY bits in the ADSTAT register are reset.	X	X	X	X
ADC	ADC Sample-and-Hold Timing	9.	The resolution of the PWM to ADC Sample-and-Hold Trigger timing is 41.6 ns instead of the 8 ns specified in the device data sheet.	X	X	X	X
ADC	ADC Interrupts	10.	Individual ADC interrupts for the ADC pin pairs do not work.	X	X	X	X
ADC	ADC Conversion Rate	11.	The maximum conversion rate for the ADC module is 1.5 Msps.	X	X	X	X
PWM	Current Reset Mode	12.	Setting the XPRES bit in the PWMCONx register should enable a current-limit source to reset the PWM period when the PWM generated is configured in Independent Time Base mode. This functionality is not working correctly.	X	X	X	X
Output Compare	Output Compare Module	13.	The output compare module will produce a glitch on the output when an I/O pin is initially set high and the module is configured to drive the pin low at a specified time.	X	X	X	X
PWM	Output Compare	14.	The output compare module will miss one compare event when the Duty Cycle register value is updated from 0x0000 to 0x0001.	X	X	X	X

Note 1: Only those issues indicated in the last column apply to the current silicon revision.

TABLE 2: SILICON ISSUE SUMMARY (CONTINUED)

Module	Feature	Item Number	Issue Summary	Affected Revisions ⁽¹⁾			
				A0	A1	A2	A3
Output Compare	Output Compare Module	15.	In Dual Compare Match mode, the OCx output is not reset when the OCxR and OCxRS registers are loaded with values having a difference of 1.	X	X	X	X
SPI	SPI Module in Slave Select Mode	16.	The SPI module slave select functionality will not work correctly.	X	X	X	X
SPI	SPI Module in Frame Master Mode	17.	The SPI module will fail to generate frame synchronization pulses in Frame Master mode if FRMDLY = 1.	X	X	X	X
SPI	SPI Module	18.	The SMP bit does not have any effect when the SPI module is configured for a 1:1 prescale factor in Master mode.	X	X	X	X
UART	UART Module	19.	If the Baud Rate Generator (BRG) register contains an odd value and the parity option is enabled, the module may falsely indicate parity errors.	X	X	X	X
UART	UART Module	20.	The Receive Buffer Overrun Error Status bit (OERR) may be set prematurely.	X	X	X	X
UART	UART Module	21.	UART receptions may be corrupted in High Baud Rate mode (BRGH = 1).	X	X	X	X
UART	UART Module	22.	The UTXISEL0 bit in the U1STA register is always read as zero regardless of the value written to it.	X	X	X	X
UART	UART Module	23.	The auto-baud feature does not work properly in High Baud Rate mode (BRGH = 1).	X	X	X	X
UART	UART Module	24.	When the auto-baud feature is enabled, the Sync Break character (0x55) may be loaded into the FIFO as data.	X	X	X	X
UART	UART Module (IrDA [®] Reception)	25.	The operation of the RXINV bit in the U1MODE register is inverted.	X	X	X	X
UART	UART Module	26.	The auto-baud feature measures baud rate inaccurately for certain baud rate and clock speed combinations.	X	X	X	X
I ² C™	Bus Collision	27.	The Bus Collision Status bit (BCL) does not get set when a bus collision occurs during a Restart or Stop event.	X	X	X	X
I ² C	10-Bit Addressing Mode	28.	The I2CTRN register can be written to even if a write collision is detected.	X	X	X	X
I ² C	10-Bit Addressing Mode	29.	The ACKSTAT bit does not reflect the status of a transmission received from an I ² C™ slave device.	X	X	X	X
I ² C	10-Bit Addressing Mode	30.	The D_A status bit in the I2CSTAT register does not get set on a write to the I2CTRN register by an I ² C slave device.	X	X	X	X

Note 1: Only those issues indicated in the last column apply to the current silicon revision.

dsPIC30F1010/202X

TABLE 2: SILICON ISSUE SUMMARY (CONTINUED)

Module	Feature	Item Number	Issue Summary	Affected Revisions ⁽¹⁾			
				A0	A1	A2	A3
MCLR	MCLR Pin	31.	When the dsPIC [®] DSC is operated with the PLL enabled, the MCLR pin does not operate correctly in the event of a brown-out condition.	X	X	X	X
CPU	DAW.b Instruction	32.	The Decimal Adjust instruction, DAW.b, may improperly clear the Carry bit, C (SR<0>).	X	X	X	X
PWM	Immediate Updates	33.	In Push-Pull mode with immediate updates enabled, the PWM pins may become swapped.	X	X	X	X
PWM	Power Supply PWM: "On-the-Fly" Dead-Time Adjustment	34.	The Dead-Time registers (DTRx/ALTDTRx) must be modified only when the PWM is not running and should not be modified "on-the-fly".	X	X	X	X
UART	Baud Clock Signal	35.	The 16x baud clock signal on the BCLK pin is present only when the module is transmitting.	X	X	X	X
UART	UART Module	36.	When the UART is in 4x mode (BRGH = 1) and using two Stop bits (STSEL = 1), it may sample the first Stop bit instead of the second one.	X	X	X	X
SPI	I/O	37.	The DISSCK (SPIxCON1<12>) bit does not influence port functionality.	X	X	X	X
I ² C	10-Bit Addressing Mode	38.	The BCL bit in I2CSTAT can be cleared only with 16-bit operation and can be corrupted with 1-bit or 8-bit operations on I2CSTAT.	X	X	X	X
I ² C	10-Bit Addressing Mode	39.	When the I ² C module is configured for 10-bit addressing using the same address bits (A10 and A9) as other I ² C devices, the A10 and A9 bits may not work as expected.	X	X	X	X
I ² C	10-Bit Addressing Mode	40.	The 10-bit slave does not set the RBF flag or load the I2CRCV register on an address match if the Least Significant bits of the address are the same as the 7-bit reserved addresses.	X	X	X	X
I ² C	10-Bit Addressing Mode	41.	If the I ² C module is configured for 10-bit slave with an address of 0x102, the I2CRCV register content for the lower address byte is 0x01 rather than 0x02.	X	X	X	X
UART	FIFO Error Flags	42.	Under certain circumstances, the PERR and FERR error bits may not be correct for all bytes in the receive FIFO.	X	X	X	X
PSV	PSV Operations	43.	An address error trap occurs in certain addressing modes when accessing the first four bytes of any PSV page.	X	X	X	X
FRC	OCSTUN	44.	Oscillator Tuning Register (OSCTUN) will generate the incorrect FRC frequency at specific tuning set points.	X	X	X	X

Note 1: Only those issues indicated in the last column apply to the current silicon revision.

Silicon Errata Issues

Note: This document summarizes all silicon errata issues from all revisions of silicon, previous as well as current. Only the issues indicated by the shaded column in the following tables apply to the current silicon revision (**Rev. A3**).

1. Module: PWM

If dead-time functionality is enabled (DTC<1:0> = 00 or 11 in the PWMCONx register), the minimum usable value that can be written to the Dead-Time registers, DTRx and ALTDTRx, is 0x0010. Writing a value less than 0x0010 will cause either or both the PWMxH and PWMxL outputs not to function. As a result of this erratum, the minimum usable dead time is 16 ns. Dead-time resolution is 4 ns for dead times greater than 16 ns.

Work around

The dead time must either be disabled (DTC<1:0> = 2) or DTRx and ALTDTRx must have a value of 0x0010 or greater. If zero dead time is required, configure the DTC<1:0> bits in the PWMCONx register to specify no dead time.

Affected Silicon Revisions

A0	A1	A2	A3				
X	X	X	X				

2. Module: PWM

The data sheet indicates that the power supply PWM module has a 1.1 ns duty cycle resolution. This is true for all values of PDCx except the following:

- 0x0010 < PDCx < 0x0040
- (Period – 0x0040) < PDCx < (Period – 0x0010)

In these ranges, duty cycle resolution is 16 ns. The PWM period is either the master period, PTPER, or the individual PWM generator period, PHASEx.

Work around

If possible, the system should be designed so that the PWM generator will operate in the duty cycle range where the 1.1 ns resolution is possible. For operation outside this range, the design must take into account the reduced resolution.

Affected Silicon Revisions

A0	A1	A2	A3				
X	X	X	X				

3. Module: PWM

Each PWM generator can be configured to generate a trigger for the ADC module or a trigger interrupt at any point during the PWM period. The point in time during the PWM period that the trigger is set is specified in the TRIGx register for the PWM Individual Trigger or in the SEVTCMP register for the Special Event Trigger. The minimum trigger value in TRIGx or SEVTCMP is 0x0008. Values below 0x0008 result in a PWM Trigger not being initiated at all. As a result, no ADC sampling or trigger interrupt will occur.

Work around

If the Special Event Trigger or the Individual Trigger is implemented, the user should perform a check in firmware to make sure that TRIGx and/or SEVTCMP is always greater than 0x0008 and less than the PWM period.

Affected Silicon Revisions

A0	A1	A2	A3				
X	X	X	X				

4. Module: PWM

The OVRDAT<1:0> bits in the IOCONx register should determine the state of the PWMx output pins when the OVRENH and OVRENH bits (IOCONx<9:8>) are set. However, the PWM override feature does not work correctly. The PWMxH and PWMxL pins do not exhibit the state specified by the OVRDAT<1:0> bits when only one of the override bits (OVRENH or OVRENH) is set. If both bits are set, the override state is exhibited correctly on the PWMxL and PWMxH pins.

Work around

If override capability is desired on only one of the PWM pin pairs, use the GPIO module to override the PWM outputs. This can be done using the PENH and PENL bits in the IOCONx register. When the PENH/PENL bits in the IOCONx register are cleared, the GPIO module assumes control of the PWMxH/L output pin. The GPIO module must be setup in advance for the desired override output states and the pins must be configured as digital outputs. This includes setting the PORTx and TRISx registers correctly, which correspond to the PWMxH and PWMxL pins.

Affected Silicon Revisions

A0	A1	A2	A3				
X	X	X	X				

dsPIC30F1010/202X

5. Module: PWM

The power supply PWM module has a feature to enable immediate duty cycle updates. This feature is enabled by setting IUE = 1 in the PWMCONx register. The dsPIC30F1010/202X Family Data Sheet states that the minimum PWM duty cycle value is 0x0010. Duty cycle values less than 0x0010 should cause the PWM outputs to display states corresponding to a duty cycle value of 0x0000.

When the immediate duty cycle updates are enabled, and a value of 0x0010 or less is loaded into the selected Duty Cycle register, the outputs of the PWM generator (PWMxH and PWMxL) will exhibit a state opposite to the expected state. For example, if the expected state of the PWM output is a continuous '0', then a continuous '1' will be observed, and vice versa.

The above behavior applies when the Master Duty Cycle (MDC) register or PWM Generator Duty Cycle (PDCx) register provides the duty cycle value.

Work around

If immediate duty cycle updates are enabled, do not load the Duty Cycle register with a value less than or equal to 0x0010. If immediate duty cycle updates are not enabled, no action is required because the correct PWM state will be exhibited for all duty cycle values.

Affected Silicon Revisions

A0	A1	A2	A3				
X	X	X	X				

6. Module: PWM

The "dsPIC30F1010/202X Family Data Sheet" (DS70178C) states the priority of PWMx pin ownership as:

- PWM Generator (lowest priority)
- Output Override
- Current-Limit Override
- Fault Override
- PENx (GPIO/PWM) Ownership (highest priority)

Instead of following the above priority scheme, the PWMx pin ownership is determined by ANDing the Output Override Data bits (OVRDAT<1:0>), Current-Limit Override Data bits (CLDAT<1:0>) and Fault Override Data bits (FLTDAT<1:0>) in the IOCONx register.

For example, the override data may be set as follows:

- OVRDAT<1:0> = 00
- CLDAT<1:0> = 01
- FLTDAT<1:0> = 10

If all three overrides occur simultaneously, the following operations shown in [Equation 1](#) will determine the state of the PWMx pin.

Therefore, when multiple overrides occur simultaneously, only the override data for the active override sources will be ANDed together, while the inactive override sources will be ignored.

If only one override is active, override priorities do not apply and operation of the PWM overrides is normal.

Work around

None.

Affected Silicon Revisions

A0	A1	A2	A3				
X	X	X	X				

EQUATION 1:

$$PWMxH = (OVRDAT<1>) AND (CLDAT<1>) AND (FLTDAT<1>) = 0 AND 0 AND 1 = 0$$

$$PWMxL = (OVRDAT<0>) AND (CLDAT<0>) AND (FLTDAT<0>) = 0 AND 1 AND 0 = 0$$

7. Module: PWM

The outputs of the PWM module may exhibit a jitter proportional to the speed of operation of the device. The jitter may be observed as a deviation in the PWM period, duty cycle or phase, and may be affected independent of each other. As a result, the maximum deviation exhibited on the PWM output pin at 30 MIPS is 8.4 nsec.

The jitter is caused by silicon process variations, noise on the V_{DD} rail and the operating temperature of the dsPIC DSC. However, for a given set of operating conditions, the maximum jitter will be the same for all three parameters and independent of each other. Table 1 shows the maximum jitter that may be exhibited at various operating speeds.

TABLE 1:

Speed of Operation	Maximum Jitter on PWM Output
30 MIPS	8.4 nsec
20 MIPS	12.6 nsec
15 MIPS	16.8 nsec

The maximum jitter at any operating speed can be determined using Equation 2.

EQUATION 2:

$$\text{Maximum Jitter Observed (nsec)} = \frac{252}{(S)}$$

Where:

- *S* is the speed of operation in MIPS.

The maximum percentage error observed on the PWM output can be calculated using Equation 3.

EQUATION 3:

$$\text{Error (\%)} = \pm \left[\frac{(x_{\text{programmed}} - x_{\text{observed}})}{x_{\text{programmed}}} \right] \cdot 100$$

Where:

- *x_{observed}* is the observed value of parameter of interest (PWM period, duty cycle or phase).
- *x_{programmed}* is the programmed value of parameter of interest (PWM period, duty cycle or phase).

Work around

Operate the power supply PWM module so that the percentage error in the parameter of interest (from Equation 3) is within permissible limits of the application.

Affected Silicon Revisions

A0	A1	A2	A3				
X	X	X	X				

8. Module: ADC

In order to perform multiple Analog-to-Digital conversions using the Global Software Trigger, the PxRDY bits in the ADSTAT register must be cleared. The data sheet indicates that the user can configure the ADC pin pairs to perform a conversion when the GSWTRG bit in the ADCON register is set. When the conversion is available, the user must then clear the GSWTRG bit and set it again to perform another conversion. Contrary to what the data sheet indicates, this will not initiate another conversion unless the PxRDY bits are cleared. Clearing the PxRDY bits automatically clears the GSWTRG bit.

This only applies to a polling-based approach. If an interrupt-based approach is used, the user is required to clear the PxRDY bits in the ADC Interrupt Service Routine (ISR).

Work around

The following sequence should be followed to manually trigger ADC conversions using the Global Software Trigger (polling based only.)

1. Set the GSWTRG bit in ADCON to initiate a conversion on channels which have the trigger source as the Global Software Trigger (via the TRGSRCx<4:0> bits in the ADCPCx registers).
2. Check the PxRDY bits to determine when the conversion(s) is completed.
3. Clear the PxRDY bits. The GSWTRG bit will be cleared as a result of this operation.
4. Repeat Steps 1 to 3 to perform additional conversions.

Alternatively, the Individual Software Trigger can be selected by setting the TRGSRCx<5:0> bits in the ADCPCx register equal to 0x01. Instead of using the Global Software Trigger, the Individual Software Trigger (ADCPCx<SWTRGx>) bits can be used to trigger a conversion on a given analog pin pair. In a bit polling approach, the PENDx in the ADCPCx register should be used to determine when a conversion is completed. In an interrupt based approach, the PxRDY bits get set when the conversion is complete. This bit must be cleared in the ADC Interrupt Service Routine in order to enable future interrupts.

Affected Silicon Revisions

A0	A1	A2	A3				
X	X	X	X				

dsPIC30F1010/202X

9. Module: ADC

The dedicated ADC Sample-and-Hold circuits can be triggered by signals from the PWM module. The “*dsPIC30F1010/202X Family Data Sheet*” indicates that the resolution of the PWM-ADC Sample-and-Hold Trigger timing is 8 ns. The existing implementation has a 41.6 ns resolution. In other words, when the PWM-ADC Trigger is fired, an ADC sample may occur 1 ns to 41.6 ns later.

Work around

None.

Affected Silicon Revisions

A0	A1	A2	A3				
X	X	X	X				

10. Module: ADC

The “*dsPIC30F1010/202X Family Data Sheet*” specifies that each ADC pin pair has its own interrupt vector. These interrupts do not work on the dsPIC30F1010/202X Rev. A3 devices.

Work around

Each ADC pin pair can be configured to initiate a global ADC interrupt by setting the corresponding IRQENx bit in the ADCPCx register. The ADBASE register can be used to create a jump table in the global ADC interrupt which will execute the appropriate ADC service routine for a particular ADC pin pair. There is an ADBASE register code example in the “*dsPIC30F1010/202X Family Data Sheet*” which illustrates using the ADBASE register in this way.

Affected Silicon Revisions

A0	A1	A2	A3				
X	X	X	X				

11. Module: ADC

The data sheet indicates that the conversion rate for the ADC module is 2.0 Msps. The ADC module on the dsPIC30F1010/202X Rev. A3 silicon has a maximum conversion rate of 1.5 Msps.

Work around

None.

Affected Silicon Revisions

A0	A1	A2	A3				
X	X	X	X				

12. Module: PWM

Setting the XPRES bit in the PWMCONx register should enable a current-limit source to reset the PWM period in Independent Time Base mode. This mode is not functioning correctly.

If the selected current-limit signal (either an analog comparator or external signal) triggers after the falling edge of PWMxH, then the XPRES operation functions correctly. The PWM deasserted time is truncated and the PWM period is terminated early, and a new PWM cycle begins.

If the selected current-limit signal (either an analog comparator or external signal) triggers before the falling edge of PWMxH, the PWMxH asserted time is truncated, and the inactive time after the falling edge PWMxH remains constant.

The proper XPRES behavior is to ignore the current-limit signal until the falling edge of the PWM period.

This issue may not be a problem in applications that control inductor current above a specified minimum current level. When the inductor current falls below the specified minimum value during the PWMxH OFF time, the PWM period is truncated and a new cycle begins to increase the inductor current.

Work around

None.

Affected Silicon Revisions

A0	A1	A2	A3				
X	X	X	X				

13. Module: Output Compare

A glitch will be produced on an output compare pin under the following conditions:

- The user software initially drives the I/O pin high using the output compare module or a write to the associated PORTx register.
- The output compare module is configured and enabled to drive the pin low at some later time (OCxCON = 0x0002 or OCxCON = 0x0003).

When these events occur, the output compare module will drive the pin low for one instruction cycle (Tcy) after the module is enabled.

Work around

None. However, the user may use a timer interrupt and write to the associated PORTx register to control the pin manually.

Affected Silicon Revisions

A0	A1	A2	A3				
X	X	X	X				

14. Module: PWM

The output compare module will miss a compare event when the current Duty Cycle register (OCxRS) value is 0x0000 (0% duty cycle) and the OCxRS register is updated with a value of 0x0001. The compare event is missed only the first time a value of 0x0001 is written to OCxRS and the PWM output remains low for one PWM period. Subsequent PWM high and low times occur as expected.

Work around

None. If the current OCxRS register value is 0x0000, avoid writing a value of 0x0001 to OCxRS. Instead, write a value of 0x0002; however, in this case, the duty cycle will be slightly different from the desired value.

Affected Silicon Revisions

A0	A1	A2	A3				
X	X	X	X				

15. Module: Output Compare

When the output compare module is operated in the Dual Compare Match mode, a timer compare match with the value in the OCxR register sets the OCx output, producing a rising edge on the OCx pin. Then, when a timer compare match with the value in the OCxRS register occurs, the OCx output is reset, producing a falling edge on the OCx pin.

The above statement applies to all conditions except when the difference between OCxR and OCxRS is 1. In this case, the output compare module may miss the Reset compare event and cause the OCx pin to remain continuously high. This condition will remain until the difference between values in the OCxR and OCxRS registers is made greater than 1.

Work around

Ensure in software that the difference between values in the OCxR and OCxRS registers is maintained greater than 1.

Affected Silicon Revisions

A0	A1	A2	A3				
X	X	X	X				

16. Module: SPI

The SPI module slave select functionality (enabled by setting SSEN = 1) will not function correctly. Whether the SSx pin (x = 1 or 2) is high or low, the SPI data transfer will be completed and an interrupt will be generated. This applies to the dsPIC30F2023 device only.

Note: The dsPIC30F1010/202X devices have only one SPI. All references to x = 2 are intended for software compatibility with other dsPIC® DSC devices.

Work around

Manually poll the \overline{SSx} pin state in the SPI interrupt by reading the associated PORTx bit:

- If the PORTx bit is '0', then perform the required data read/write.
- If the PORTx bit is '1', then clear the SPIx Interrupt Flag (SPIxIF), perform a dummy read of the SPIxBUF register and return from the Interrupt Service Routine.

Affected Silicon Revisions

A0	A1	A2	A3				
X	X	X	X				

dsPIC30F1010/202X

17. Module: SPI

The SPI module will fail to generate frame synchronization pulses when configured in the Frame Master mode if the start of data is selected to coincide with the start of the frame synchronization pulse (FRMEN = 1, SPIFSD = 0). However, the module functions correctly in Frame Slave mode and also in Frame Master mode if FRMDLY = 0. This applies to the dsPIC30F2023 device only.

Work around

Manually drive the \overline{SS}_x pin ($x = 1$ or 2) high using the associated PORTx register and then drive it low after the required 1 bit time pulse width. This operation needs to be performed when the transmit buffer is written.

If FRMDLY = 0, no work around is needed.

Note: The dsPIC30F1010/202X devices have only one SPI. All references to $x = 2$ are intended for software compatibility with other dsPIC DSC devices.

Affected Silicon Revisions

A0	A1	A2	A3				
X	X	X	X				

18. Module: SPI

The SMP bit (SPIxCON1<9>, where $x = 1$ or 2) does not have any effect when the SPI module is configured for a 1:1 prescale factor in Master mode. In this mode, whether the SMP bit is set or cleared, the data is always sampled at the end of data output time.

Note: The dsPIC30F1010/202X devices have only one SPI. All references to $x = 2$ are intended for software compatibility with other dsPIC DSC devices.

Work around

If sampling at the middle of the data output time is required, then configure the SPI module to use a clock prescale factor, other than 1:1, using the PPRE<1:0> and SPRE<2:0> bits in the SPIxCON1 register.

Affected Silicon Revisions

A0	A1	A2	A3				
X	X	X	X				

19. Module: UART

With the parity option enabled, a parity error, indicated by the PERR bit (U1STA<3>) being set, may occur if the Baud Rate Generator contains an odd value. This affects both even and odd parity options.

Work around

Load the Baud Rate Generator register, U1BRG, with an even value, or disable the peripheral's parity option by loading either '0b00' or '0b11' into the Parity and Data Selection bits, PDSEL<1:0> (U1MODE<2:1>).

Affected Silicon Revisions

A0	A1	A2	A3				
X	X	X	X				

20. Module: UART

The Receive Buffer Overrun Error Status bit, OERR (U1STA<1>), may set before the UART FIFO has overflowed. After the fourth byte is received by the UART, the FIFO is full. The OERR bit should set after the fifth byte has been received in the UART Shift register. Instead, the OERR bit may set after the fourth received byte with the UART Shift register empty.

Work around

After four bytes have been received by the UART, the UART1 Receiver Interrupt Flag bit, U1RXIF (IFS0<9>), will be set, indicating the UART FIFO is full. The OERR bit may also be set. After reading the UART1 Receive Buffer, U1RXREG, four times to clear the FIFO, clear both the OERR and U1RXIF bits in software.

Affected Silicon Revisions

A0	A1	A2	A3				
X	X	X	X				

21. Module: UART

UART receptions may be corrupted if the Baud Rate Generator (BRGH) is set up for 4x mode (BRGH = 1).

Work around

Use the 16x baud rate option (BRGH = 0) and adjust the baud rate accordingly.

Affected Silicon Revisions

A0	A1	A2	A3				
X	X	X	X				

22. Module: UART

The UTXISEL0 bit (UxSTA<13>) is always read as zero regardless of the value written to it. This will affect read-modify-write operations, such as bitwise or shift operations. Using a read-modify-write instruction on the U1STA register (e.g., BSET, BLCR) will always write the UTXISEL0 bit to zero.

Work around

If a UTXISEL0 value of '1' is needed, avoid using read-modify-write instructions on the U1STA register.

Copy the U1STA register to a temporary variable and set U1STA<13> prior to performing read-modify-write operations. Copy the new value back to the U1STA register.

Affected Silicon Revisions

A0	A1	A2	A3				
X	X	X	X				

23. Module: UART

The auto-baud feature may not calculate the correct baud rate when the High Baud Rate Enable bit, BRGH, is set. With BRGH set, the baud rate calculation used is the same as BRG = 0.

Work around

If the auto-baud feature is needed, use the Low Baud Rate mode by clearing the BRGH bit.

Affected Silicon Revisions

A0	A1	A2	A3				
X	X	X	X				

24. Module: UART

With the auto-baud feature selected, the Sync Break character (0x55) may be loaded into the FIFO as data.

Work around

To prevent the Sync Break character from being loaded into the FIFO, load the U1BRG register with either 0x0000 or 0xFFFF prior to enabling the auto-baud feature (ABAUD = 1).

Affected Silicon Revisions

A0	A1	A2	A3				
X	X	X	X				

25. Module: UART

The UART module can be used to transmit and receive IrDA[®] signals, with the use of an IrDA transceiver, by setting the IREN bit in the U1MODE register. In this mode, the operation of the RXINV bit enables reception of signals with an Idle state of either '1' or '0'. The operation of this bit is the inverse of the stated operation in the "dsPIC30F1010/202X Family Data Sheet" (DS70178).

The signal received from an IrDA transceiver can have an Idle state of '1' or '0'. The following table summarizes how UART receptions will occur when used with the IrDA decoder.

TABLE 2:

Type of Signal Used for Transmission	State of RXINV Bit	UART Reception
Idle State = 1	RXINV = 0	May be erroneous
	RXINV = 1	Error-free
Idle State = 0	RXINV = 0	Error-free
	RXINV = 1	May be erroneous

Work around

Invert the state of the RXINV bit in the U1MODE register.

If the Idle state of the received signal is '1', configure RXINV = 1. If the Idle state of the received signal is '0', configure RXINV = 0.

Affected Silicon Revisions

A0	A1	A2	A3				
X	X	X	X				

26. Module: UART

The auto-baud feature may miscalculate for certain baud rate and clock speed combinations, resulting in a BRG value that is greater than or less than the expected value by 1. This may result in reception or transmission failures.

Work around

Test the auto-baud rate at various clock speeds and baud rate combinations that would be used in an application. If an inaccurate BRG value is generated, manually correct the baud rate in user software.

Affected Silicon Revisions

A0	A1	A2	A3				
X	X	X	X				

dsPIC30F1010/202X

27. Module: I²C™

The Bus Collision Status bit (BCL) does not get set when a bus collision occurs during a Restart or Stop event. However, the BCL bit gets set when a bus collision occurs during a Start event.

Work around

None.

Affected Silicon Revisions

A0	A1	A2	A3				
X	X	X	X				

28. Module: I²C

Writing to I2CTRN during a Start bit transmission generates a write collision, indicated by the IWCOL (I2CSTAT<7>) bit being set. In this state, additional writes to the I2CTRN register should be blocked. However, in this condition, the I2CTRN register can be written, although transmissions will not occur until the IWCOL bit is cleared in software.

Work around

After each write to the I2CTRN register, read the IWCOL bit to ensure a collision has not occurred.

If the IWCOL bit is set, it must be cleared in software and I2CTRN must be rewritten.

Affected Silicon Revisions

A0	A1	A2	A3				
X	X	X	X				

29. Module: I²C

The ACKSTAT bit (I2CSTAT<15>) only reflects the received ACK/NACK status for master transmissions, but not for slave transmissions. As a result, a slave cannot use this bit to determine if it received an ACK or a NACK from a master. In future silicon revisions, the ACKSTAT bit will reflect received ACK/NACK status for both master and slave transmissions.

Work around

After transmitting a byte, the slave should poll the SDA line (subject to a time-out period dependent on the application) to determine if an ACK (0) or a NACK (1) was received.

Affected Silicon Revisions

A0	A1	A2	A3				
X	X	X	X				

30. Module: I²C

The D_A Status bit (I2CSTAT<5>) gets set on a slave data reception in the I2CRCV register, but does not get set on a slave write to the I2CTRN register. In future silicon revisions, the D_A bit will get set on a slave write to I2CTRN.

Work around

Use the D_A status bit only for determining slave reception status and not slave transmission status.

Affected Silicon Revisions

A0	A1	A2	A3				
X	X	X	X				

31. Module: MCLR

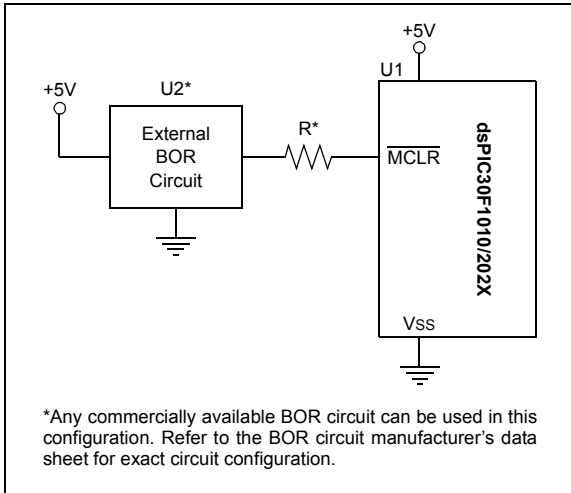
A brown-out event occurs when VDD drops below the minimum operating voltage for the device, but not all the way down to VSS. When the dsPIC DSC SMPS device is running with the PLL enabled, and a brown-out event occurs, the device may stop running and the MCLR pin will not reset the device. If this occurs, the device can only be reset by cycling power to the VDD pins.

It is recommended that an external Brown-out Reset (BOR) circuit be used to hold the device in Reset, during a brown-out event, to overcome this problem. The external BOR circuit will use the MCLR pin to hold the device in Reset. The following work around, in combination with the external BOR circuit, will ensure that the device is cleanly reset after a brown-out event occurs.

Work around

The dsPIC DSC SMPS device must be powered up with the PLL disabled, the Fail-Safe Clock Monitor (FSCM) enabled and clock switching enabled. The PLL should be enabled in software via a clock switch after the device is reset (refer to **Section 29. "Oscillator"** (DS70268) in the "*dsPIC30F Family Reference Manual*" for details on clock switching). This ensures that the MCLR pin is functional and that the device can be reset by an external BOR circuit (see [Figure 1](#)).

FIGURE 1:



Use one of the following methods to achieve the work around.

Method 1: Insert the code, shown in [Example 1](#), at the start of the program.

Method 2: Call the code, shown in [Example 1](#), in the beginning of code execution by including the `ClockSwitch.s` file in the project and adding the following code:

- For assembly programming, add the following instruction at the beginning of the program:

```
.global __reset
...
__reset:
    rcall ClockSwitch
...
```

- For C programming, add the following instruction at the beginning of the program:

```
int main(void)
{
    ClockSwitch;
    ...
}
```

EXAMPLE 1: CLOCK SWITCHING EXAMPLE

```
; This function performs a clock-switch from FRC to FRC+PLL. All other oscillator
; settings remain unchanged.
; Filename: ClockSwitch.s

_ClockSwitch:
    mov    #OSCCON+1,w4    ; Get address of high OSCCON byte
    mov    #0x0078, w0    ; 1st password for high byte access to OSCCON
    mov    #0x009A, w1    ; 2nd password for low byte access to OSCCON
    mov    #0x0001, w2    ; NOSC value for FRC+PLL
    mov.b  w0, [w4]       ; Write 1st password
    mov.b  w1, [w4]       ; Write 2nd password
    mov.b  w2, [w4]       ; Write NOSC value
    mov    #OSCCON,w4     ; Get address of low OSCCON byte
    mov    #0x0046, w0    ; 1st password for high byte access to OSCCON
    mov    #0x0057, w1    ; 2nd password for low byte access to OSCCON
    mov    #0x0001, w2    ; Set OSWEN bit
    mov.b  w0, [w4]       ; Write 1st password
    mov.b  w1, [w4]       ; Write 2nd password
    mov.b  w2, [w4]       ; Write OSWEN bit
    return
```

Affected Silicon Revisions

A0	A1	A2	A3				
X	X	X	X				

dsPIC30F1010/202X

32. Module: CPU

The Decimal Adjust instruction, `DAW.b`, may improperly clear the Carry bit, `C (SR<0>)`, when executed.

Work around

Check the state of the Carry bit prior to executing the `DAW.b` instruction. If the Carry bit is set, set the Carry bit again after executing the `DAW.b` instruction. [Example 2](#) shows how the application should process the Carry bit during a BCD addition operation.

Affected Silicon Revisions

A0	A1	A2	A3				
X	X	X	X				

EXAMPLE 2: CHECK CARRY BIT BEFORE `DAW.b`

```
.include "p30fxxxx.inc"
.....
mov.b #0x80, w0 ;First BCD number
mov.b #0x80, w1 ;Second BCD number
add.b w0, w1, w2 ;Perform addition
bra NC, L0 ;If C set go to L0
daw.b w2 ;If not, do DAW and
bset.b SR, #C ;set the carry bit
bra L1 ;and exit
L0:daw.b w2
L1: .....
```

33. Module: PWM

In Push-Pull mode, with immediate updates enabled, the PWM pins may become swapped.

Work around

If using the PWM module in Push-Pull mode, immediate updates must be disabled.

Affected Silicon Revisions

A0	A1	A2	A3				
X	X	X	X				

34. Module: PWM

The Dead-Time registers (`DTRx/ALTDTRx`) must be modified only when the PWM is not running. Adjusting the dead time “on-the-fly” can result in an unpredictable glitch on the PWM output, which may cause shoot-through.

Work around

None.

Affected Silicon Revisions

A0	A1	A2	A3				
X	X	X	X				

35. Module: UART

When the UART is configured for IR interface operations (`U1MODE<9:8> = 11`), the 16x baud rate clock signal on the `BCLK` pin is present only when the module is transmitting. The pin is Idle at all other times.

Work around

Configure one of the output compare modules to generate the required baud clock signal when the UART is receiving data or is in an Idle state.

Affected Silicon Revisions

A0	A1	A2	A3				
X	X	X	X				

36. Module: UART

When the UART is in 4x mode (`BRGH = 1`) and using two Stop bits (`STSEL = 1`), it may sample the first Stop bit instead of the second one.

This issue does not affect the other UART configurations.

Work around

Use the 16x baud rate option (`BRGH = 0`) and adjust the baud rate accordingly.

Affected Silicon Revisions

A0	A1	A2	A3				
X	X	X	X				

37. Module: SPI

Setting the DISSCK bit in the SPIxCON1 register does not allow the user application to use the SCK pin as a general purpose I/O pin.

Work around

None.

Affected Silicon Revisions

A0	A1	A2	A3				
X	X	X	X				

38. Module: I²C

The BCL bit in I2CSTAT can only be cleared with a 16-bit operation and can be corrupted with 1-bit or 8-bit operations on I2CSTAT.

Work around

Use 16-bit operations to clear BCL.

Affected Silicon Revisions

A0	A1	A2	A3				
X	X	X	X				

39. Module: I²C

If there are two I²C devices on the bus, one of them is acting as the master receiver and the other as the slave transmitter. If both devices are configured for 10-Bit Addressing mode, and have the same value in the A10 and A9 bits of their addresses, then when the slave select address is sent from the master, both the master and slave Acknowledge it. When the master sends out the read operation, both the master and the slave enter into Read mode and both of them transmit the data. The resultant data will be the ANDing of the two transmissions.

Work around

In all I²C devices, the addresses, as well as bits A10 and A9, should be different.

Affected Silicon Revisions

A0	A1	A2	A3				
X	X	X	X				

40. Module: I²C

In 10-Bit Addressing mode, some address matches do not set the RBF flag or load the I²C Receive register, I2CRCV, if the lower address byte matches the reserved addresses. In particular, these include all addresses with the form 'xx0000xxxx' and 'xx1111xxxx', with the following exceptions:

- 001111000x
- 011111001x
- 101111010x
- 111111011x

Work around

The lower address byte in 10-Bit Addressing mode shall not be a reserved address.

Affected Silicon Revisions

A0	A1	A2	A3				
X	X	X	X				

41. Module: I²C

If the I²C module is configured for a 10-bit slave with an address of 0x102, the I2CRCV register content for the lower address byte is 0x01, rather than 0x02. However, the I²C module Acknowledges for both address bytes.

Work around

None.

Affected Silicon Revisions

A0	A1	A2	A3				
X	X	X	X				

dsPIC30F1010/202X

42. Module: UART

Under certain circumstances, the PERR and FERR error bits may not be correct for all bytes in the receive FIFO. This has only been observed when both of the following conditions are met:

- The UART receive interrupt is set to occur when the FIFO is full or three-quarters full (U1STA<7:6> = 1x), and
- More than two bytes with an error are received

In these two circumstances, only the first two bytes with a parity or framing error will have the corresponding bits indicate correctly. The error bits will *not* be set after this.

Work around

None.

Affected Silicon Revisions

A0	A1	A2	A3				
X	X	X	X				

43. Module: PSV

An address error trap occurs in certain addressing modes when accessing the first four bytes of a Program Space Visibility (PSV) page. This only occurs when using the following addressing modes:

- MOV.D
- Register Indirect Addressing (Word or Byte mode) with pre/post-decrement

Work around

Do not perform PSV accesses to any of the first four bytes using the above addressing modes. For applications using the C language, MPLAB® C30, Version 3.11 or higher, provides the following command-line switch that implements a work around for the erratum:

```
-merrata=psv_trap
```

Refer to the `readme.txt` file in the MPLAB C30 v3.11 toolsuite for further details.

Affected Silicon Revisions

A0	A1	A2	A3				
X	X	X	X				

44. Module: FRC

The Oscillator Tuning Register (OSCTUN) has four bits, TUN<3:0>, that allow the user to vary the internal Fast RC (FRC) oscillator frequency. When the OSCTUN register is set equal to '0b1111' or '0b1110', the FRC frequency does not match the expected frequency. The user should avoid using these two set values of the OSCTUN register.

Work around

Use any of the other permissible values for OSCTUN to set the FRC frequency.

Affected Silicon Revisions

A0	A1	A2	A3				
X	X	X	X				

Data Sheet Clarifications

The following typographic corrections and clarifications are to be noted for the latest version of the device data sheet (DS70178C):

<p>Note: Corrections are shown in bold. Where possible, the original bold text formatting has been removed for clarity.</p>

None.

dsPIC30F1010/202X

APPENDIX A: REVISION HISTORY

Revision A (8/2008)

Initial release of this document.

Revision B (3/2013)

Updated entire document to current Errata format.
Added Affected Silicon Revisions table to all issues.
Added silicon issue 44 ([FRC](#)).

Note the following details of the code protection feature on Microchip devices:

- Microchip products meet the specification contained in their particular Microchip Data Sheet.
- Microchip believes that its family of products is one of the most secure families of its kind on the market today, when used in the intended manner and under normal conditions.
- There are dishonest and possibly illegal methods used to breach the code protection feature. All of these methods, to our knowledge, require using the Microchip products in a manner outside the operating specifications contained in Microchip's Data Sheets. Most likely, the person doing so is engaged in theft of intellectual property.
- Microchip is willing to work with the customer who is concerned about the integrity of their code.
- Neither Microchip nor any other semiconductor manufacturer can guarantee the security of their code. Code protection does not mean that we are guaranteeing the product as “unbreakable.”

Code protection is constantly evolving. We at Microchip are committed to continuously improving the code protection features of our products. Attempts to break Microchip's code protection feature may be a violation of the Digital Millennium Copyright Act. If such acts allow unauthorized access to your software or other copyrighted work, you may have a right to sue for relief under that Act.

Information contained in this publication regarding device applications and the like is provided only for your convenience and may be superseded by updates. It is your responsibility to ensure that your application meets with your specifications. MICROCHIP MAKES NO REPRESENTATIONS OR WARRANTIES OF ANY KIND WHETHER EXPRESS OR IMPLIED, WRITTEN OR ORAL, STATUTORY OR OTHERWISE, RELATED TO THE INFORMATION, INCLUDING BUT NOT LIMITED TO ITS CONDITION, QUALITY, PERFORMANCE, MERCHANTABILITY OR FITNESS FOR PURPOSE. Microchip disclaims all liability arising from this information and its use. Use of Microchip devices in life support and/or safety applications is entirely at the buyer's risk, and the buyer agrees to defend, indemnify and hold harmless Microchip from any and all damages, claims, suits, or expenses resulting from such use. No licenses are conveyed, implicitly or otherwise, under any Microchip intellectual property rights.

Trademarks

The Microchip name and logo, the Microchip logo, dsPIC, FlashFlex, KEELOQ, KEELOQ logo, MPLAB, PIC, PICmicro, PICSTART, PIC³² logo, rPIC, SST, SST Logo, SuperFlash and UNI/O are registered trademarks of Microchip Technology Incorporated in the U.S.A. and other countries.

FilterLab, Hampshire, HI-TECH C, Linear Active Thermistor, MTP, SEEVAL and The Embedded Control Solutions Company are registered trademarks of Microchip Technology Incorporated in the U.S.A.

Silicon Storage Technology is a registered trademark of Microchip Technology Inc. in other countries.


Analog-for-the-Digital Age, Application Maestro, BodyCom, chipKIT, chipKIT logo, CodeGuard, dsPICDEM, dsPICDEM.net, dsPICworks, dsSPEAK, ECAN, ECONOMONITOR, FanSense, HI-TIDE, In-Circuit Serial Programming, ICSP, Mindi, MiWi, MPASM, MPF, MPLAB Certified logo, MPLIB, MPLINK, mTouch, Omniscient Code Generation, PICC, PICC-18, PICDEM, PICDEM.net, PICkit, PICtail, REAL ICE, rLAB, Select Mode, SQI, Serial Quad I/O, Total Endurance, TSHARC, UniWinDriver, WiperLock, ZENA and Z-Scale are trademarks of Microchip Technology Incorporated in the U.S.A. and other countries.

SQTP is a service mark of Microchip Technology Incorporated in the U.S.A.

GestIC and ULPP are registered trademarks of Microchip Technology Germany II GmbH & Co. KG, a subsidiary of Microchip Technology Inc., in other countries.

All other trademarks mentioned herein are property of their respective companies.

© 2008-2013, Microchip Technology Incorporated, Printed in the U.S.A., All Rights Reserved.

 Printed on recycled paper.

ISBN: 978-1-62077-115-0

Microchip received ISO/TS-16949:2009 certification for its worldwide headquarters, design and wafer fabrication facilities in Chandler and Tempe, Arizona; Gresham, Oregon and design centers in California and India. The Company's quality system processes and procedures are for its PIC[®] MCUs and dsPIC[®] DSCs, KEELOQ[®] code hopping devices, Serial EEPROMs, microperipherals, nonvolatile memory and analog products. In addition, Microchip's quality system for the design and manufacture of development systems is ISO 9001:2000 certified.

**QUALITY MANAGEMENT SYSTEM
CERTIFIED BY DNV
= ISO/TS 16949 =**



MICROCHIP

Worldwide Sales and Service

AMERICAS

Corporate Office
2355 West Chandler Blvd.
Chandler, AZ 85224-6199
Tel: 480-792-7200
Fax: 480-792-7277
Technical Support:
<http://www.microchip.com/support>
Web Address:
www.microchip.com

Atlanta
Duluth, GA
Tel: 678-957-9614
Fax: 678-957-1455

Boston
Westborough, MA
Tel: 774-760-0087
Fax: 774-760-0088

Chicago
Itasca, IL
Tel: 630-285-0071
Fax: 630-285-0075

Cleveland
Independence, OH
Tel: 216-447-0464
Fax: 216-447-0643

Dallas
Addison, TX
Tel: 972-818-7423
Fax: 972-818-2924

Detroit
Farmington Hills, MI
Tel: 248-538-2250
Fax: 248-538-2260

Indianapolis
Noblesville, IN
Tel: 317-773-8323
Fax: 317-773-5453

Los Angeles
Mission Viejo, CA
Tel: 949-462-9523
Fax: 949-462-9608

Santa Clara
Santa Clara, CA
Tel: 408-961-6444
Fax: 408-961-6445

Toronto
Mississauga, Ontario,
Canada
Tel: 905-673-0699
Fax: 905-673-6509

ASIA/PACIFIC

Asia Pacific Office
Suites 3707-14, 37th Floor
Tower 6, The Gateway
Harbour City, Kowloon
Hong Kong
Tel: 852-2401-1200
Fax: 852-2401-3431

Australia - Sydney
Tel: 61-2-9868-6733
Fax: 61-2-9868-6755

China - Beijing
Tel: 86-10-8569-7000
Fax: 86-10-8528-2104

China - Chengdu
Tel: 86-28-8665-5511
Fax: 86-28-8665-7889

China - Chongqing
Tel: 86-23-8980-9588
Fax: 86-23-8980-9500

China - Hangzhou
Tel: 86-571-2819-3187
Fax: 86-571-2819-3189

China - Hong Kong SAR
Tel: 852-2943-5100
Fax: 852-2401-3431

China - Nanjing
Tel: 86-25-8473-2460
Fax: 86-25-8473-2470

China - Qingdao
Tel: 86-532-8502-7355
Fax: 86-532-8502-7205

China - Shanghai
Tel: 86-21-5407-5533
Fax: 86-21-5407-5066

China - Shenyang
Tel: 86-24-2334-2829
Fax: 86-24-2334-2393

China - Shenzhen
Tel: 86-755-8864-2200
Fax: 86-755-8203-1760

China - Wuhan
Tel: 86-27-5980-5300
Fax: 86-27-5980-5118

China - Xian
Tel: 86-29-8833-7252
Fax: 86-29-8833-7256

China - Xiamen
Tel: 86-592-2388138
Fax: 86-592-2388130

China - Zhuhai
Tel: 86-756-3210040
Fax: 86-756-3210049

ASIA/PACIFIC

India - Bangalore
Tel: 91-80-3090-4444
Fax: 91-80-3090-4123

India - New Delhi
Tel: 91-11-4160-8631
Fax: 91-11-4160-8632

India - Pune
Tel: 91-20-2566-1512
Fax: 91-20-2566-1513

Japan - Osaka
Tel: 81-6-6152-7160
Fax: 81-6-6152-9310

Japan - Tokyo
Tel: 81-3-6880-3770
Fax: 81-3-6880-3771

Korea - Daegu
Tel: 82-53-744-4301
Fax: 82-53-744-4302

Korea - Seoul
Tel: 82-2-554-7200
Fax: 82-2-558-5932 or
82-2-558-5934

Malaysia - Kuala Lumpur
Tel: 60-3-6201-9857
Fax: 60-3-6201-9859

Malaysia - Penang
Tel: 60-4-227-8870
Fax: 60-4-227-4068

Philippines - Manila
Tel: 63-2-634-9065
Fax: 63-2-634-9069

Singapore
Tel: 65-6334-8870
Fax: 65-6334-8850

Taiwan - Hsin Chu
Tel: 886-3-5778-366
Fax: 886-3-5770-955

Taiwan - Kaohsiung
Tel: 886-7-213-7828
Fax: 886-7-330-9305

Taiwan - Taipei
Tel: 886-2-2508-8600
Fax: 886-2-2508-0102

Thailand - Bangkok
Tel: 66-2-694-1351
Fax: 66-2-694-1350

EUROPE

Austria - Wels
Tel: 43-7242-2244-39
Fax: 43-7242-2244-393

Denmark - Copenhagen
Tel: 45-4450-2828
Fax: 45-4485-2829

France - Paris
Tel: 33-1-69-53-63-20
Fax: 33-1-69-30-90-79

Germany - Munich
Tel: 49-89-627-144-0
Fax: 49-89-627-144-44

Italy - Milan
Tel: 39-0331-742611
Fax: 39-0331-466781

Netherlands - Drunen
Tel: 31-416-690399
Fax: 31-416-690340

Spain - Madrid
Tel: 34-91-708-08-90
Fax: 34-91-708-08-91

UK - Wokingham
Tel: 44-118-921-5869
Fax: 44-118-921-5820

11/29/12