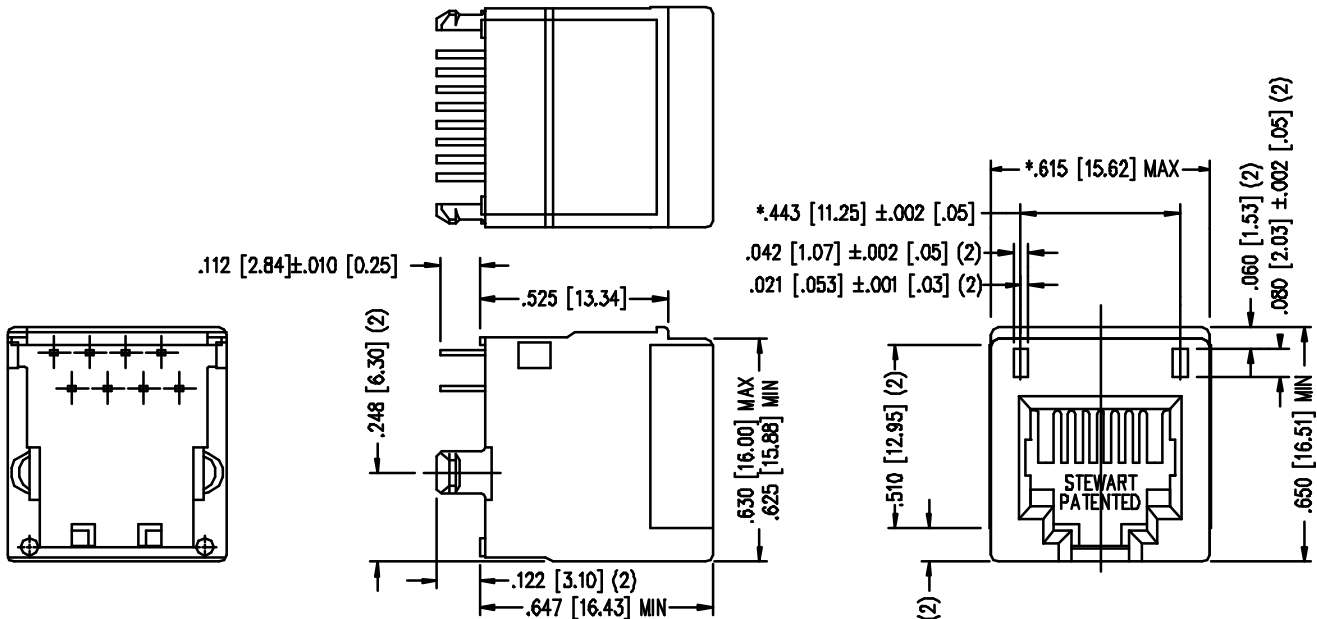


STEWART CONNECTOR SYSTEMS, INC.

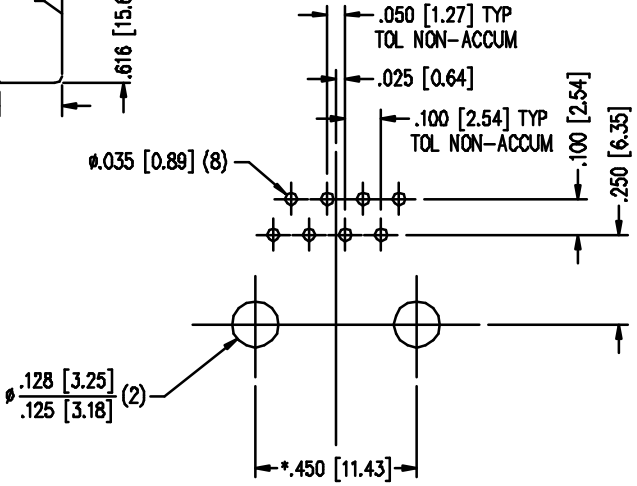
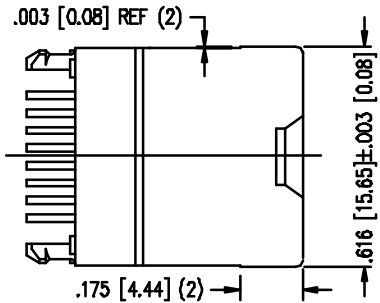
R.D. 2, BOX 2020 GLEN ROCK, PENNSYLVANIA 17327

PART NO. SS-650810-A-NF-A318 (30 MICROINCHES OF GOLD)
 PART NO. SS-650810-A-NF-50-A318 (50 MICROINCHES OF GOLD)
 EIGHT CONTACT, TEN POSITION; VERTICAL MOUNT JACK
 -NF NON-FLANGE

-A318 DESIGNATES HOUSING TOP LIP RAISED .015, HOUSING WIDTH INCREASED WITH RIB BY .0030,
 AND TWO RECTANGULAR SLOTS IN PORT FACE TO BE USED BY CUSTOMER TO FASTEN AN I.D.
 MARKER. SLOTS HAVE AN EFFECTIVE RETENTION LENGTH OF .080 [2.03].



**FOR REFERENCE
ONLY**



- NOTES:
- TOLERANCE COMPLY WITH F.C.C. DIMENSION REQUIREMENTS ALL OTHERS ±.005 [0.13] UNLESS OTHERWISE SPECIFIED.
 - DIMENSIONS SHOWN WITH "*" TO BE CENTRAL ABOUT CENTER LINE

- AVAILABLE WITH:
- 30 & 50, MICRO-INCH SELECTIVE GOLD PLATING
 - LOADED 1 - 10 CONTACTS

P.C.B. RECOMMENDED HOLE LAYOUT
 SEEN FROM COMPONENT SIDE
 TOLERANCE ±.003 [0.08] UNLESS OTHERWISE SPECIFIED