

Cable sleeve - CES-LTPG-GY-32 - 0801706

Please be informed that the data shown in this PDF Document is generated from our Online Catalog. Please find the complete data in the user's documentation. Our General Terms of Use for Downloads are valid (<http://download.phoenixcontact.com>)

Large, slotted cable sleeves suitable for cables with a diameter of 31 ... 32 mm, material: SEBS



Product description

Slotted sleeves for accommodating pre-assembled cables and lines with a diameter of 31 ... 32 mm, can be used in CES sealing frames. When fitted, the sleeves also ensure strain relief according to DIN EN 50262.



Key commercial data

| | |
|------------------------|---|
| Packing unit | 0 |
| Minimum order quantity | 1 |
| GTIN |  4 046356 749176 |
| Custom tariff number | 85472000 |
| Country of origin | POLAND |

Technical data

General data

| | |
|---|--|
| Product description | Slotted sleeves for accommodating pre-assembled cables and lines with a diameter of 31 ... 32 mm, can be used in CES sealing frames. When fitted, the sleeves also ensure strain relief according to DIN EN 50262. |
| External cable diameter | 31 mm ... 32 mm |
| Material | SEBS |
| Inflammability class according to UL 94 | V0 |
| Color | gray |
| Degree of protection | IP54 |
| Ambient temperature (operation) | -40 °C ... 80 °C (static) |

Classifications

ETIM

| | |
|----------|----------|
| ETIM 3.0 | EC000879 |
| ETIM 4.0 | EC000451 |

Cable sleeve - CES-LTPG-GY-32 - 0801706

Classifications

ETIM

| | |
|----------|----------|
| ETIM 5.0 | EC000451 |
|----------|----------|

UNSPSC

| | |
|---------------|----------|
| UNSPSC 11 | 39121708 |
| UNSPSC 12.01 | 39121708 |
| UNSPSC 13.2 | 39121708 |
| UNSPSC 6.01 | 30212109 |
| UNSPSC 7.0901 | 39121708 |

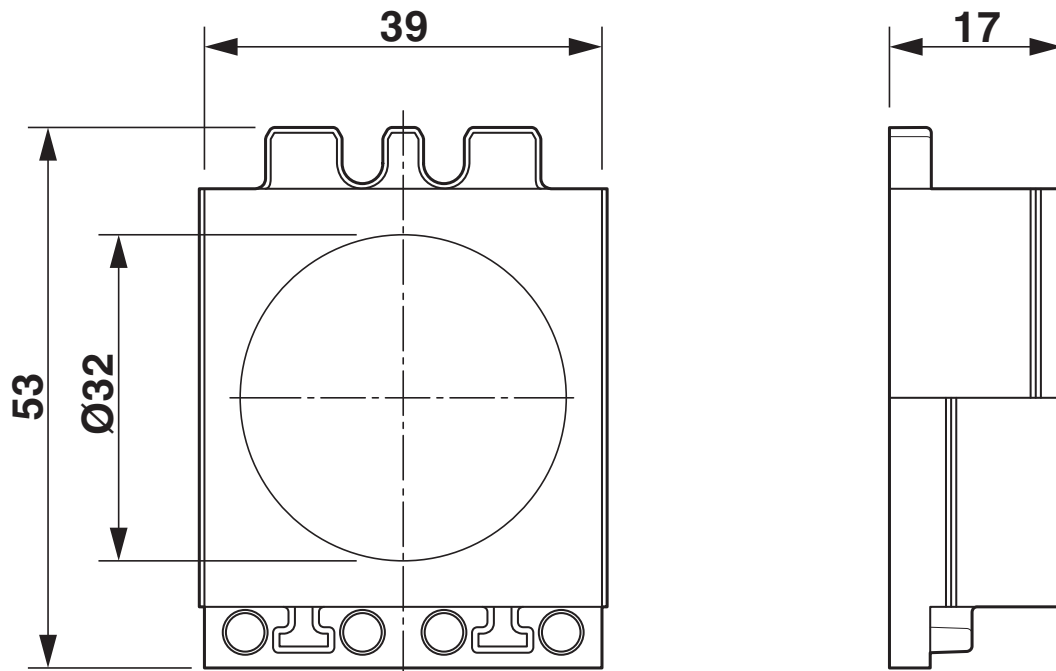
eCl@ss

| | |
|------------|----------|
| eCl@ss 4.0 | 27081002 |
| eCl@ss 4.1 | 27081002 |
| eCl@ss 5.0 | 27081002 |
| eCl@ss 5.1 | 27081002 |
| eCl@ss 6.0 | 27081002 |
| eCl@ss 7.0 | 27081002 |

Drawings

Cable sleeve - CES-LTPG-GY-32 - 0801706

Dimensioned drawing



Dimensional drawing

