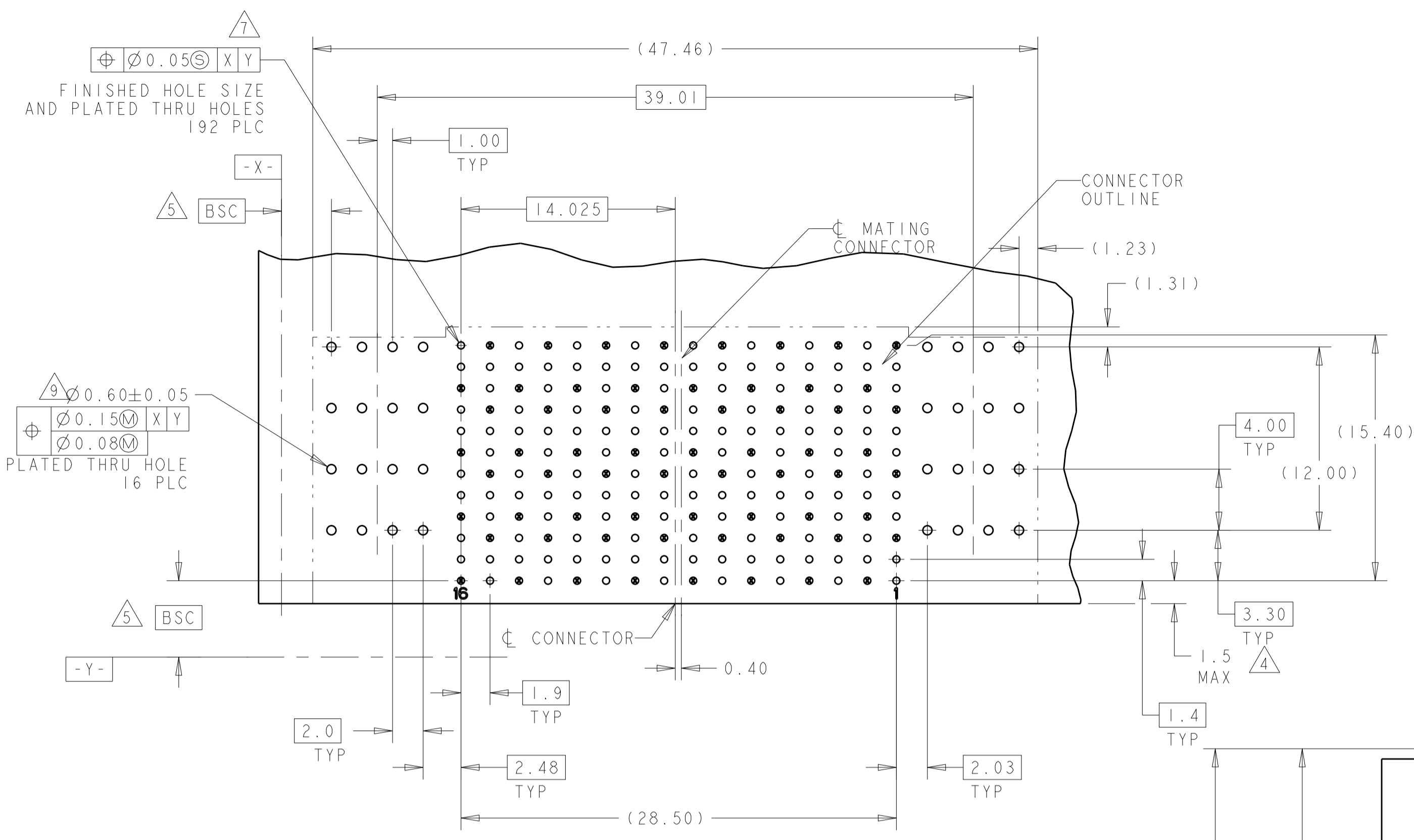
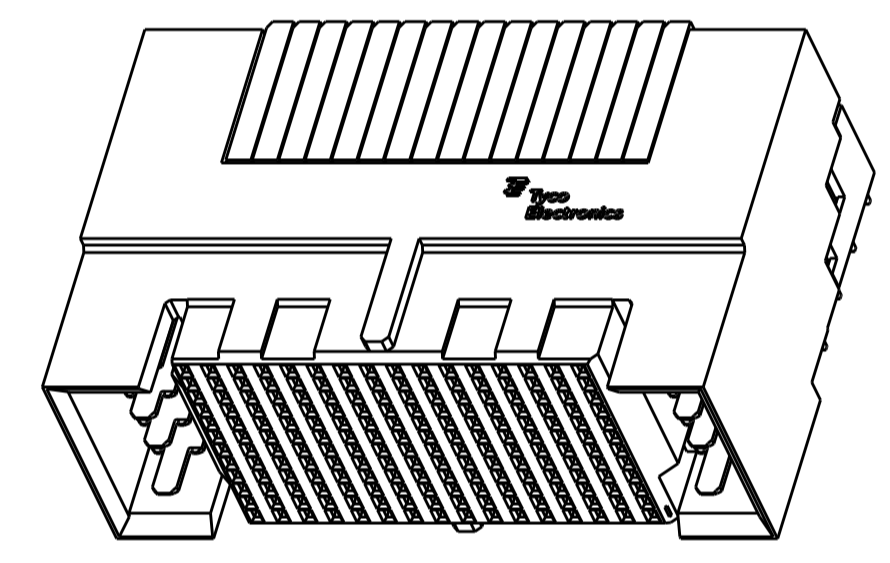
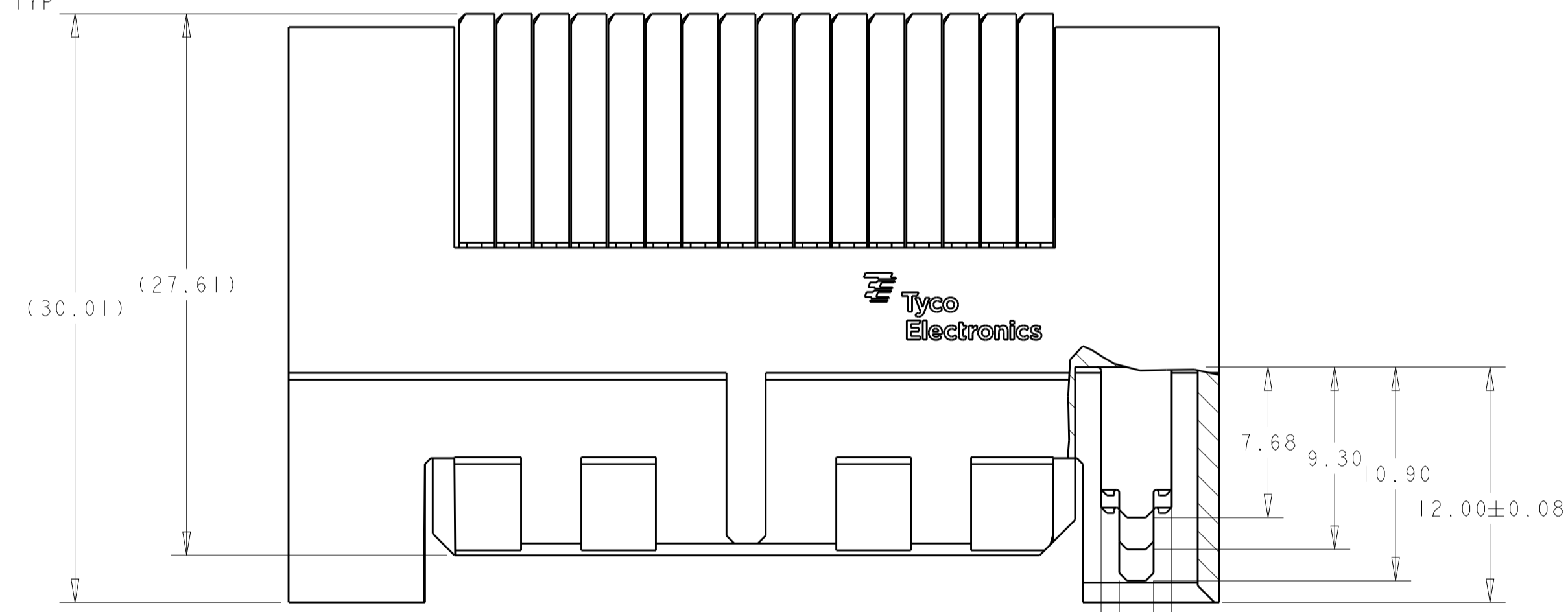


LOC	DIST	REVISIONS			
P	LTN	DESCRIPTION	DATE	DWN	APVD
A		NEW DRAWING	22MAR2013	KH	RP

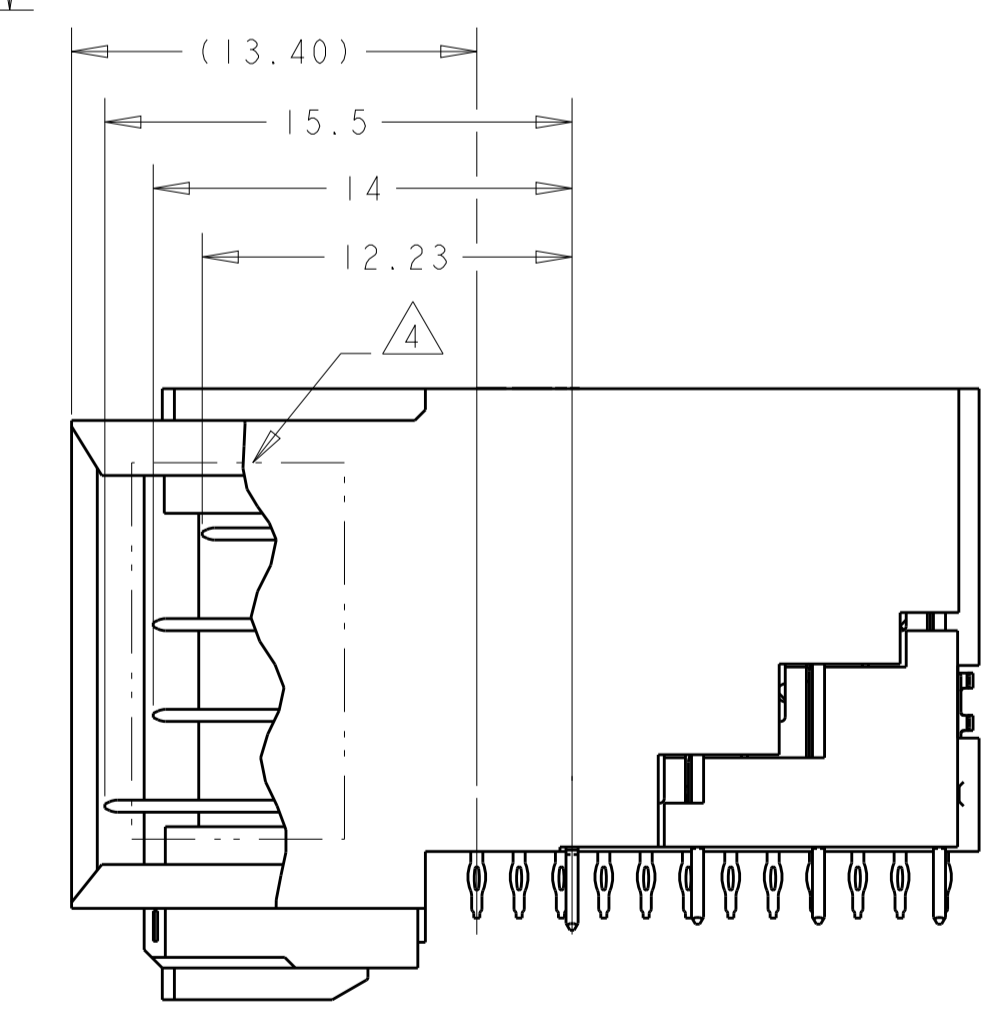
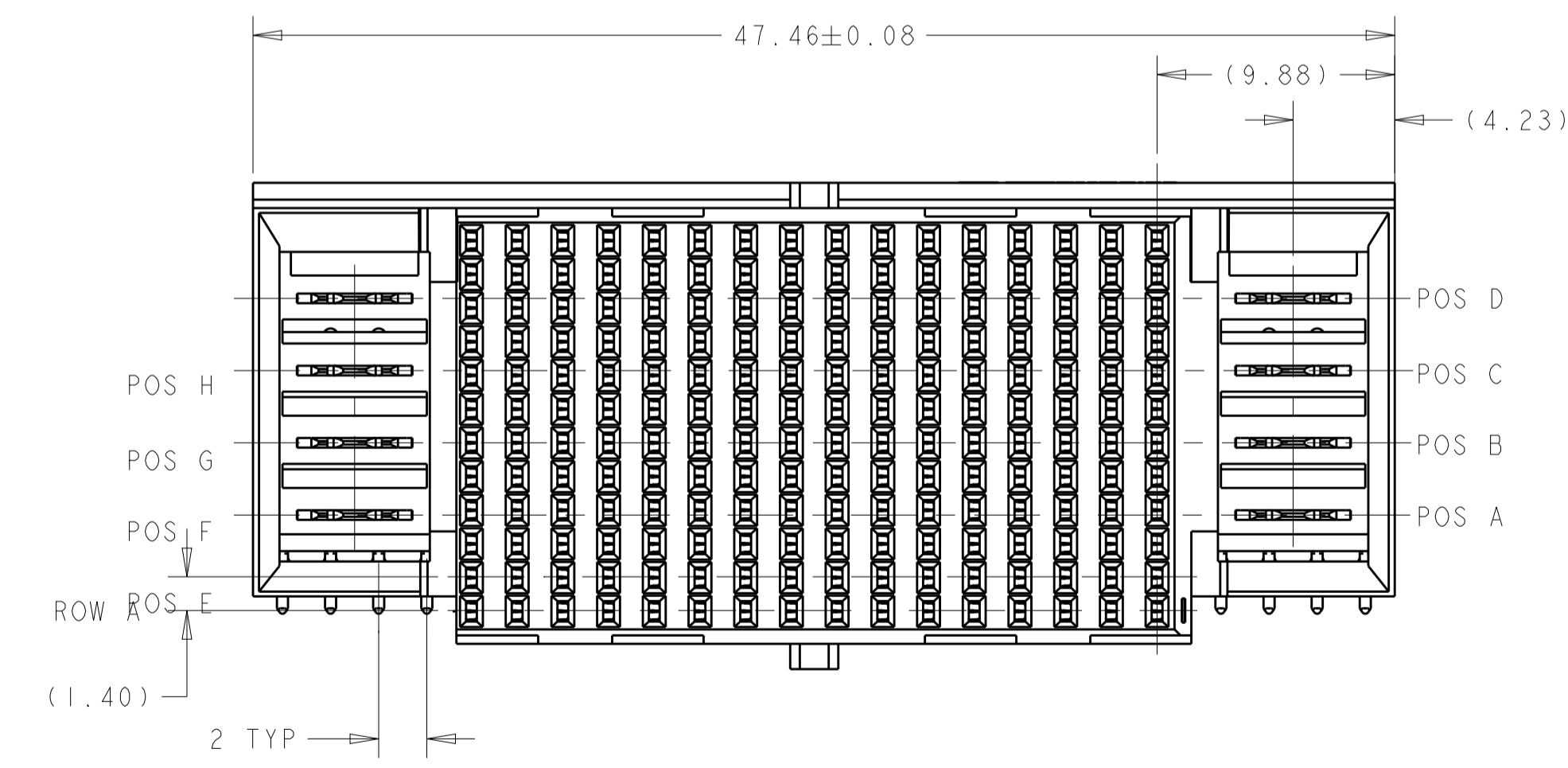
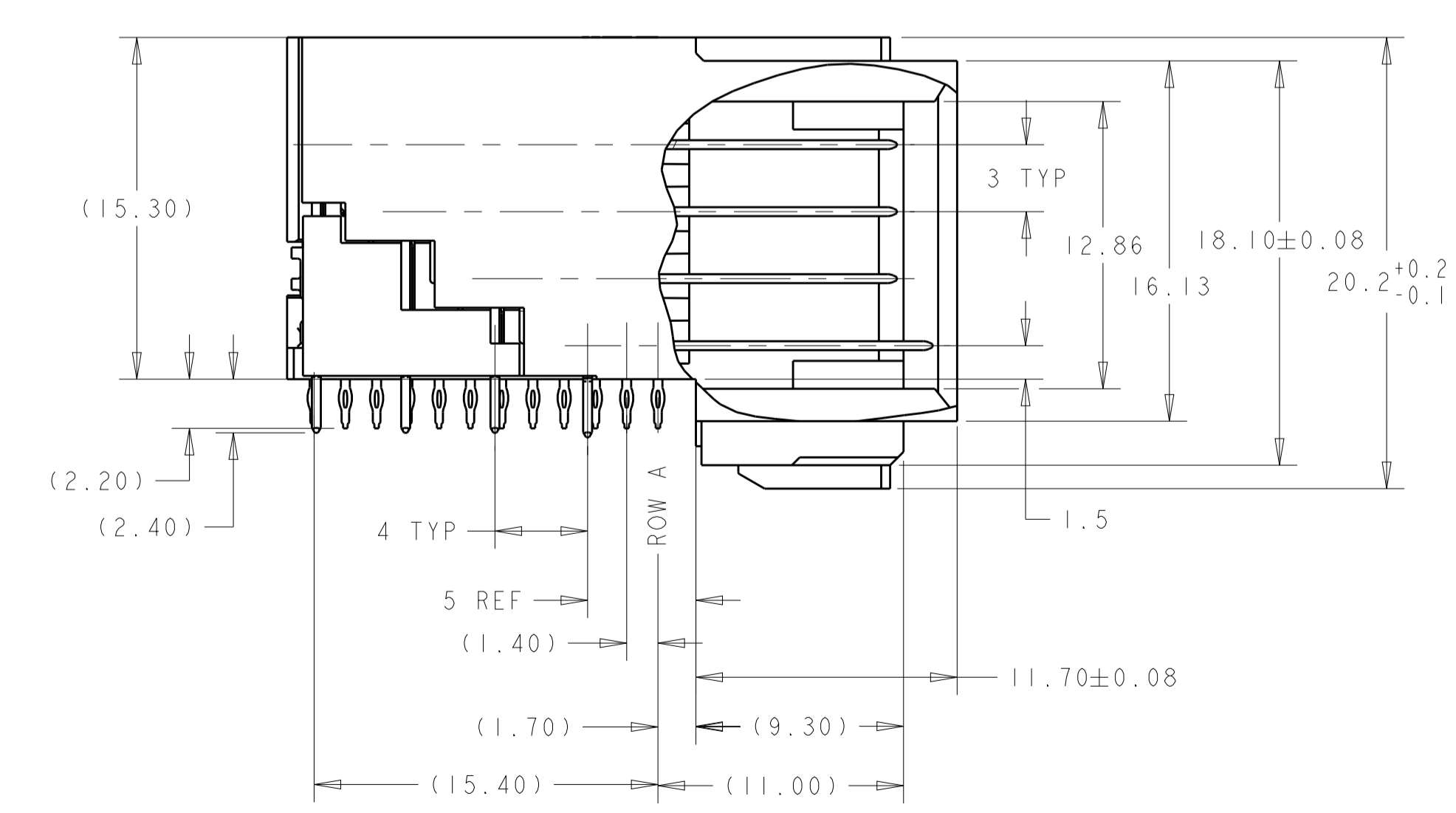


- 1 MATERIAL:  
CONTACT AND SHIELD: PHOS BRONZE.  
POWER CONTACT: COPPER ALLOY  
HOUSING AND CHICKLET: LCP, UL 94V-0, COLOR BLACK.
- 2 FINISH:  
CONTACT AREA FINISH CONFORMS TO THE REQUIREMENTS OF TE PRODUCT SPECIFICATION 108-2303; BASED ON TELCORDIA GR-1217-CORE FOR SYSTEM QUALITY LEVEL III APPLICATIONS IN CONTROLLED ENVIRONMENTS (CENTRAL OFFICE). COMPLIANT PIN AREA: 0.5um MIN MATTE TIN OVER 1.27UM MIN NICKEL. SHIELD: 1.27um MIN NICKEL.
- 3 CONNECTOR MARKED ON EITHER SIDE OF HOUSING WITH PART NUMBER, DATE CODE AND STANDARD IN APPROXIMATE AREA SHOWN.
- 4 DIMENSION APPLIES TO CENTERLINE OF THRU HOLE.
- 5 DATUMS AND BASIC DIMENSIONS ESTABLISHED BY CUSTOMER.
- 6 CONTACT AREA LUBRICATED WITH BELLCORE APPROVED LUBRICANT. TECHNICAL REFERENCE: GR-1217-CORE, ISSUE 1, NOVEMBER 1995.
- 7 REFERENCE APPLICATION SPEC 114-13202 FOR RECOMMENDED PLATED THRU HOLE DIAMETER AND PLATING THICKNESSES.
- 8 THE GROUNDS IN EACH COLUMN ARE COMMONED.
- 9 TYPICAL HOLE DETAIL:  
DRILLED HOLE =  $\varnothing 0.70 \pm 0.02$   
COPPER THICKNESS = 0.035 TO 0.065.

= SIGNAL  
 = GROUND  
 = DATUM  
 RECOMMENDED PC BOARD LAYOUT  
 DAUGHTER BOARD  
 COMPONENT SIDE SHOWN



SCALE 2:1



FINISH	A, E	B, C, F, G, H	D	2187499-1
	POSITIONS LOADED WITH 10.9 REF CONTACTS	POSITIONS LOADED WITH 9.3 REF CONTACTS	POSITIONS LOADED WITH 7.68 REF CONTACTS	PART NUMBER

THIS DRAWING IS A CONTROLLED DOCUMENT.

DIMENSIONS: mm  
 TOLERANCES UNLESS OTHERWISE SPECIFIED:  
 0 PLC ±  
 1 PLC ±0.3  
 2 PLC ±  
 3 PLC ±  
 4 PLC ±  
 ANGLES ±

MATERIAL: SEE TABLE  
 FINISH: SEE TABLE

DWG: R. PATTERSON 22MAR2013  
 CHK: R. PATTERSON 22MAR2013  
 APVD: R. PATTERSON 22MAR2013  
 NAME: R. PATTERSON  
 PRODUCT SPEC:  
 APPLICATION SPEC:  
 WEIGHT:  
 CUSTOMER DRAWING

**STE** TE Connectivity  
 TinMan RIGHT ANGLE, COPLANAR, RECEPTACLE, WITH WITH POWER  
 SIZE: A1  
 CAGE CODE: 00779  
 DRAWING NO: C=2187499  
 SCALE: 4:1 SHEET 1 OF 1 REV A