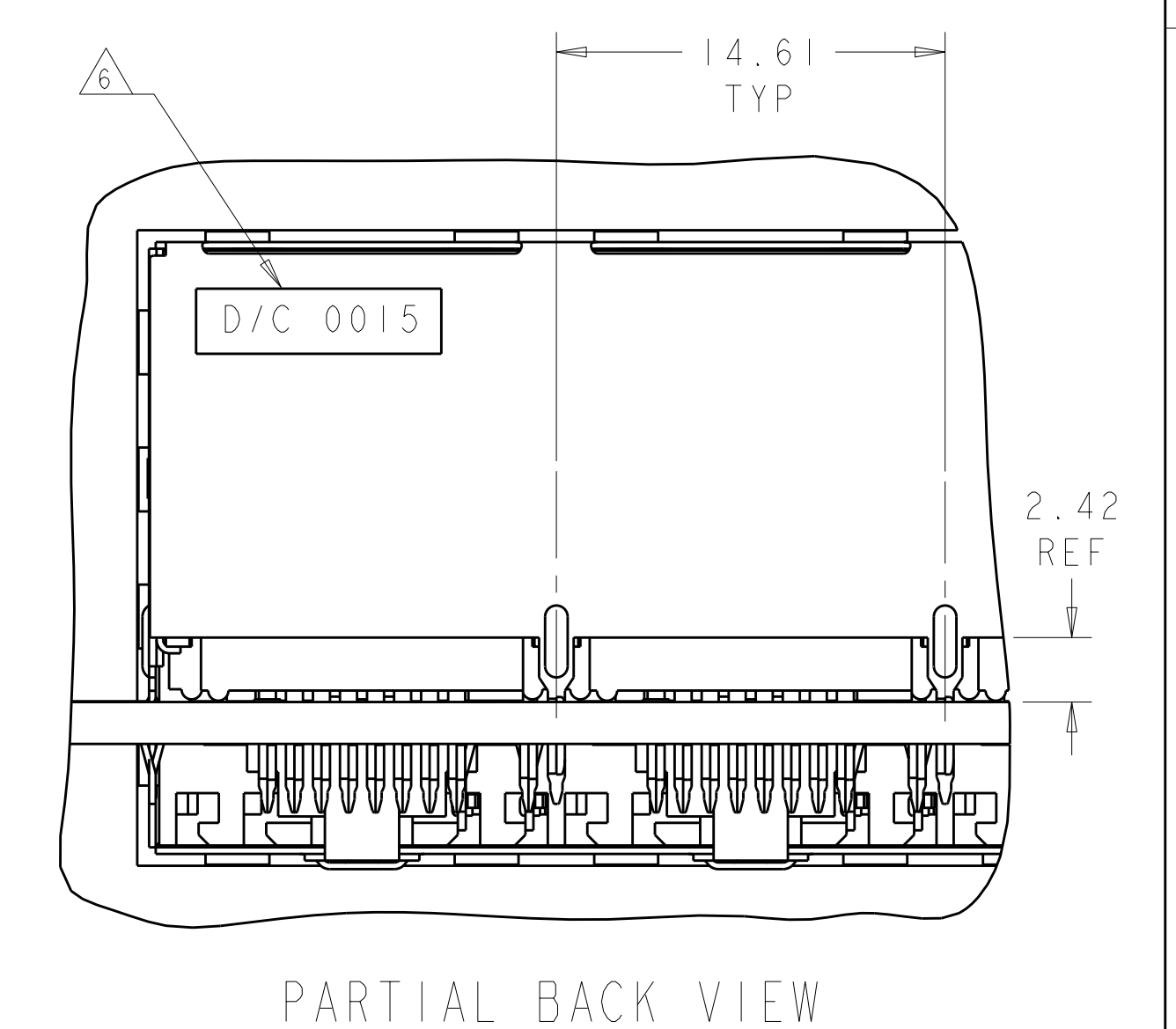
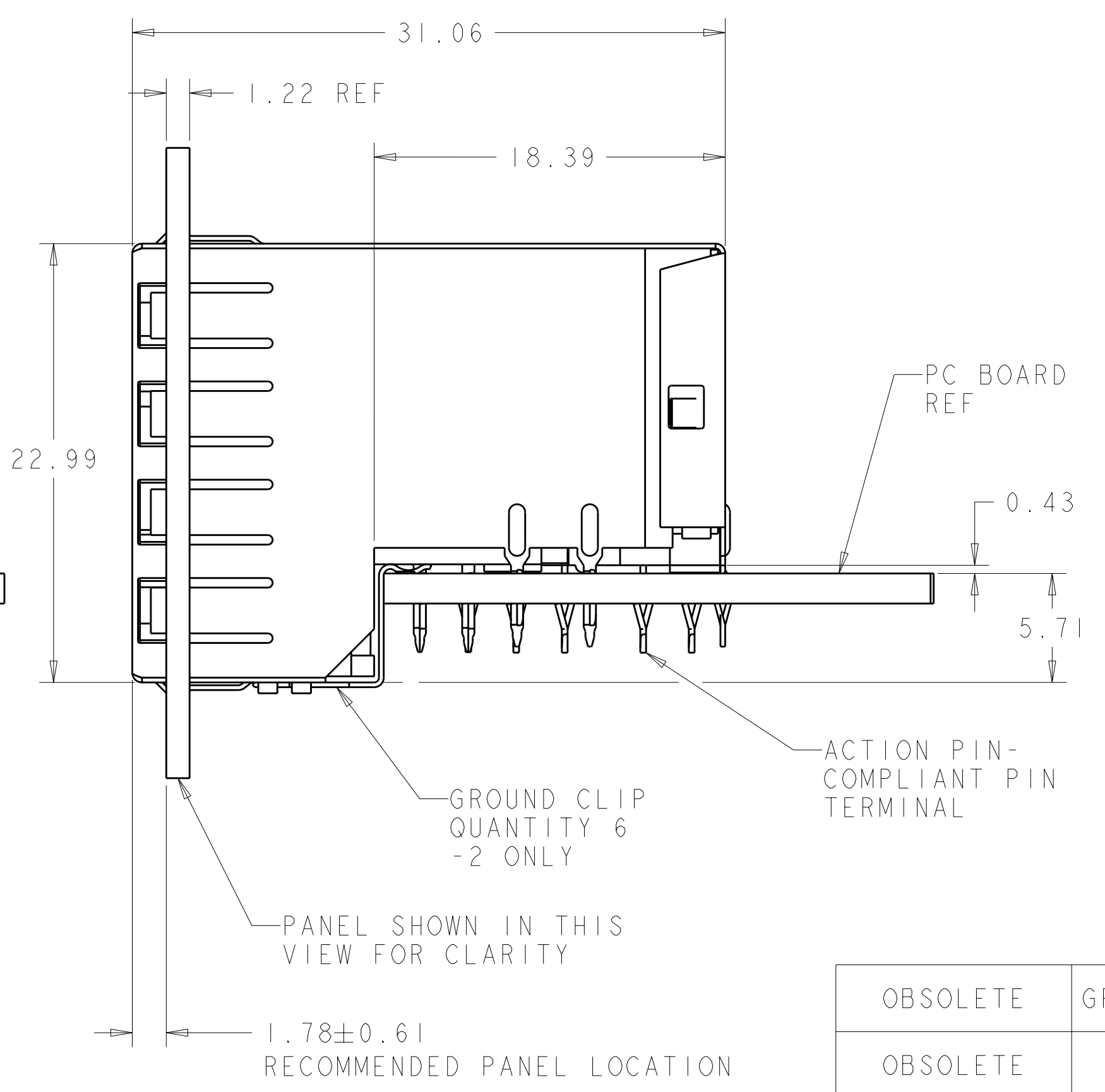
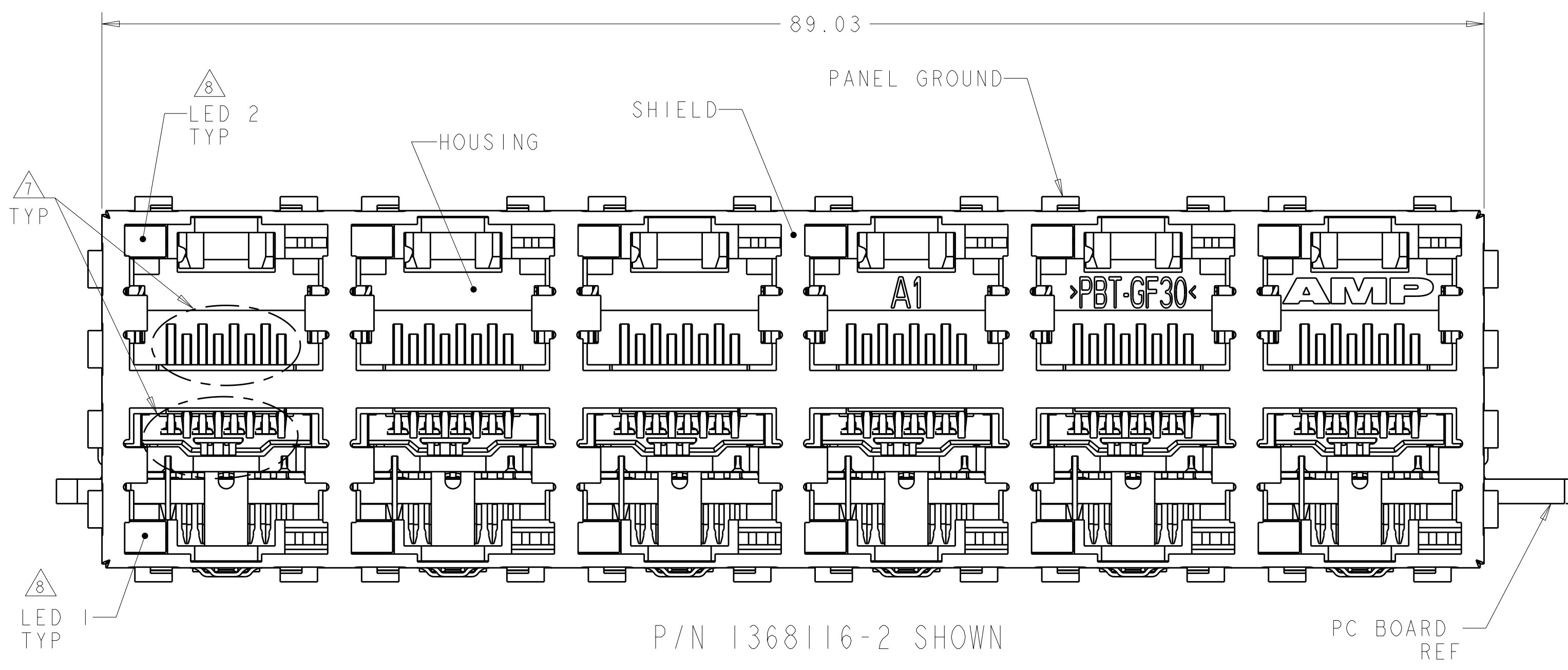


LOC	DIST	REV	DESCRIPTION	DATE	DWN	APVD
AA	00	F	ECO-06-027808	03MAY2007	LAM	JW
		G	ECO-11-021476	26OCT2011	JJ	MOW

SUPERSEDED BY:
6368116

- MATERIAL:
 - HOUSING**
PBT POLYESTER, BLACK, UL 94V-0.
 - TERMINALS**
0.33 THICK PHOSPHOR BRONZE PLATED WITH 1.27µm MINIMUM THICK HARD GOLD IN LOCALIZED AREA AND 3.81µm MINIMUM THICK TIN-LEAD IN ACTION PIN COMPLIANT PIN TERMINAL AREA OVER 1.27µm MINIMUM THICK NICKEL UNDERPLATE.
 - SHIELD**
0.25 THICK COPPER ALLOY PLATED WITH 2.03µm MIN BRIGHT TIN OVER 1.27µm MINIMUM NICKEL.
 - LIGHT EMITTING DIODE (LED)**
DIFFUSED EPOXY LENS, 12.95 CARBON STL WIREFRAME LEADS PREPLATED WITH 8.89µm Sn/Cu OVER 2.03µm THICK Ag OVER 1.02µm THICK Cu OVER 3.56µm Ni OVER 1.02µm THICK Cu UNDERPLATE
 - LED ACTION PIN - COMPLIANT PIN CONTACTS 0.3 THICK**
BRASS PLATED WITH 2-4µm BRIGHT TIN.
 - JACK CAVITY CONFORMS TO FCC RULES AND REGULATIONS, PART 68 SUBPART F.
 - ALL DIMENSIONS ARE NOMINAL UNLESS OTHERWISE SPECIFIED.
- △4 DRILLED HOLE DIA = 1.02±.025.
 COPPER THICKNESS = 0.025-0.075.
 TIN-LEAD THICKNESS = 0.008 MIN.
- △5 DATUMS AND BASIC DIMENSIONS ESTABLISHED BY CUSTOMER.
- △6 DATE CODE LOCATED ON REAR OF PART APPROXIMATELY AS SHOWN.
- △7 CONTACTS ARE NOT INTENDED TO BE ALIGNED WITH EACH OTHER.
- △8 SUGGESTED OPERATING CURRENT FOR LEDS IS 20 mA.

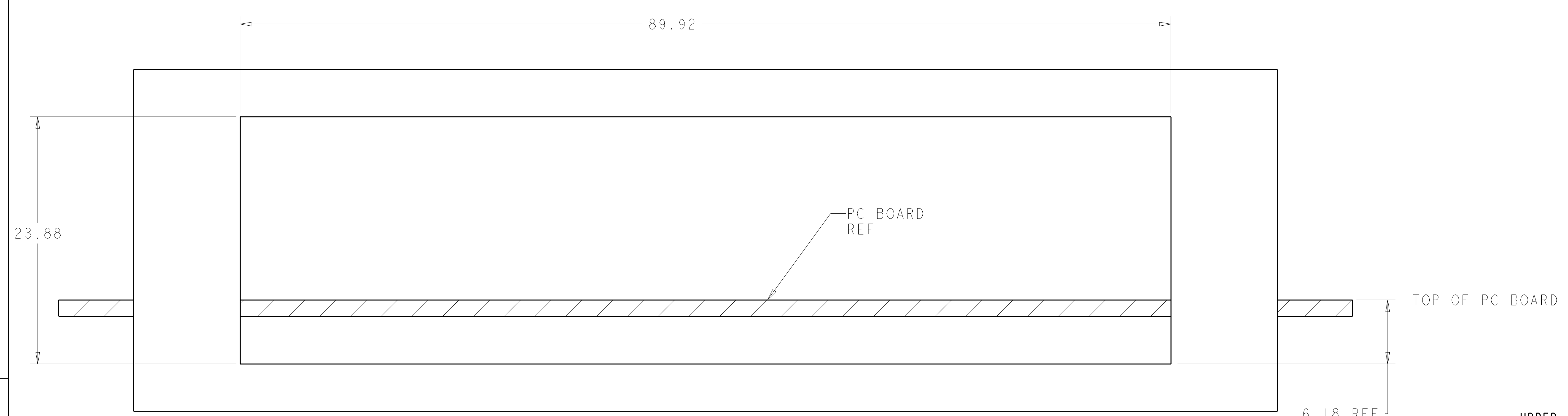


LED COLOR	DESCRIPTION	PART NUMBER	
OBSOLETE	GREEN/YELLOW	LEFT HAND LED'S ONLY	1368116-3
OBSOLETE	GREEN	LEFT HAND LEDs WITH GROUND CLIPS	1368116-2
OBSOLETE	GREEN	LEFT HAND LEDs ONLY	1368116-1

THIS DRAWING IS A CONTROLLED DOCUMENT.

DIMENSIONS:	TOLERANCES UNLESS OTHERWISE SPECIFIED:	DWN J. AHERON 02NOV00	STE TE Connectivity
mm	9 PLC ±.13 2 PLC ±0.13 5 PLC ±.13 4 PLC ±. ANGLES ±1°	CHK E. LAURER 02NOV00 APVD F. LAURER 02NOV00	
MATERIAL SEE NOTE 1	FINISH SEE NOTE 1	PRODUCT SPEC 108-1854 APPLICATION SPEC 114-2160 WEIGHT -	NAME OFFSET STACKED MOD JACK ASSEMBLY 2 X 6, 8 POSITION, RJ45, SHIELDED, PANEL GROUND, WITH LEFT LED, CAT 5 SIZE CAGE CODE DRAWING NO. RESTRICTED TO A100779C=1368116
CUSTOMER DRAWING		SCALE 4:1	SHEET 1 OF 2 REV G

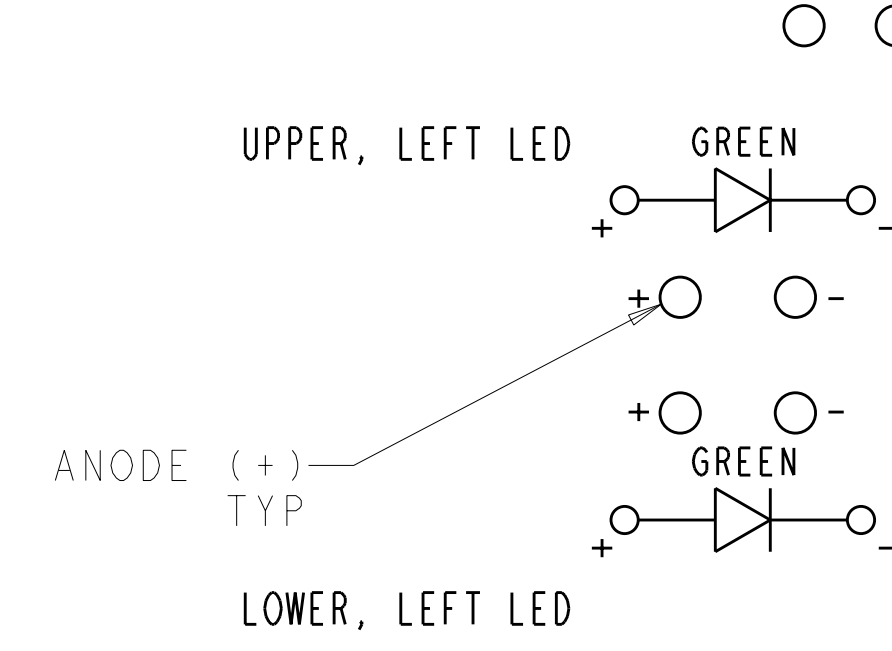
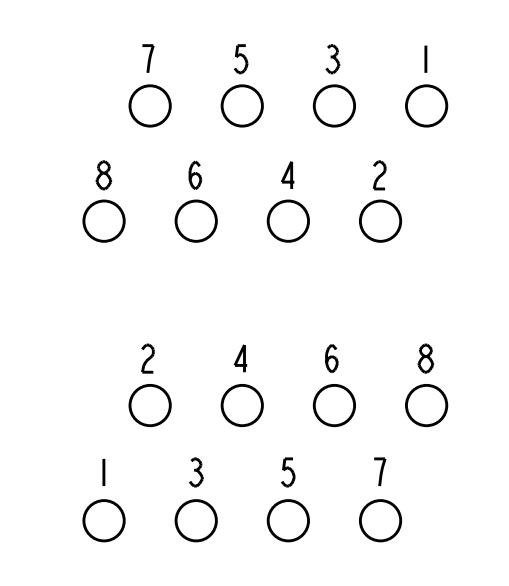
LOC	DIST	REV	DATE	BY	APPV
AA	00	1			
REVISIONS					
DESCRIPTION			DATE	BY	APPV
SEE SHEET 1					



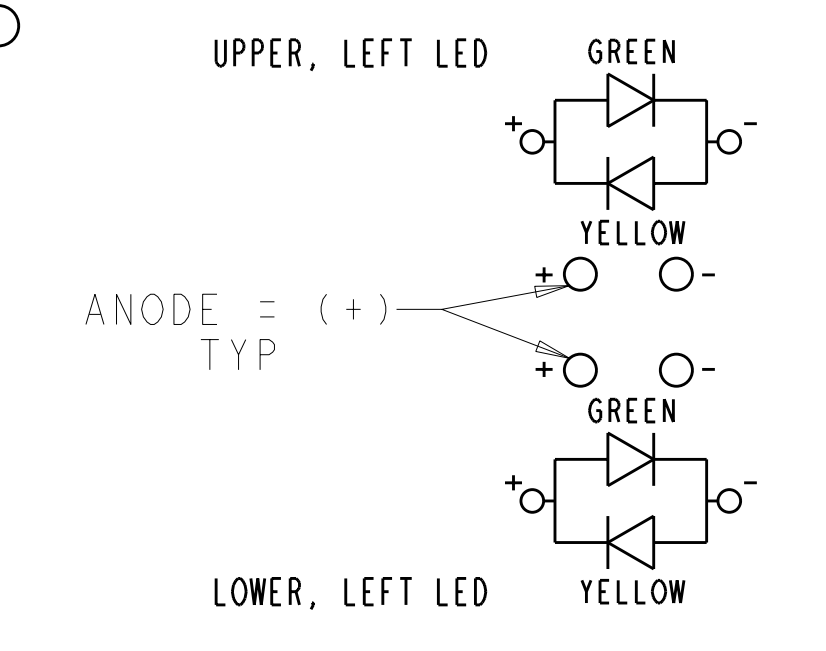
RECOMMENDED PANEL CUT-OUT

SUPERSEDED BY:

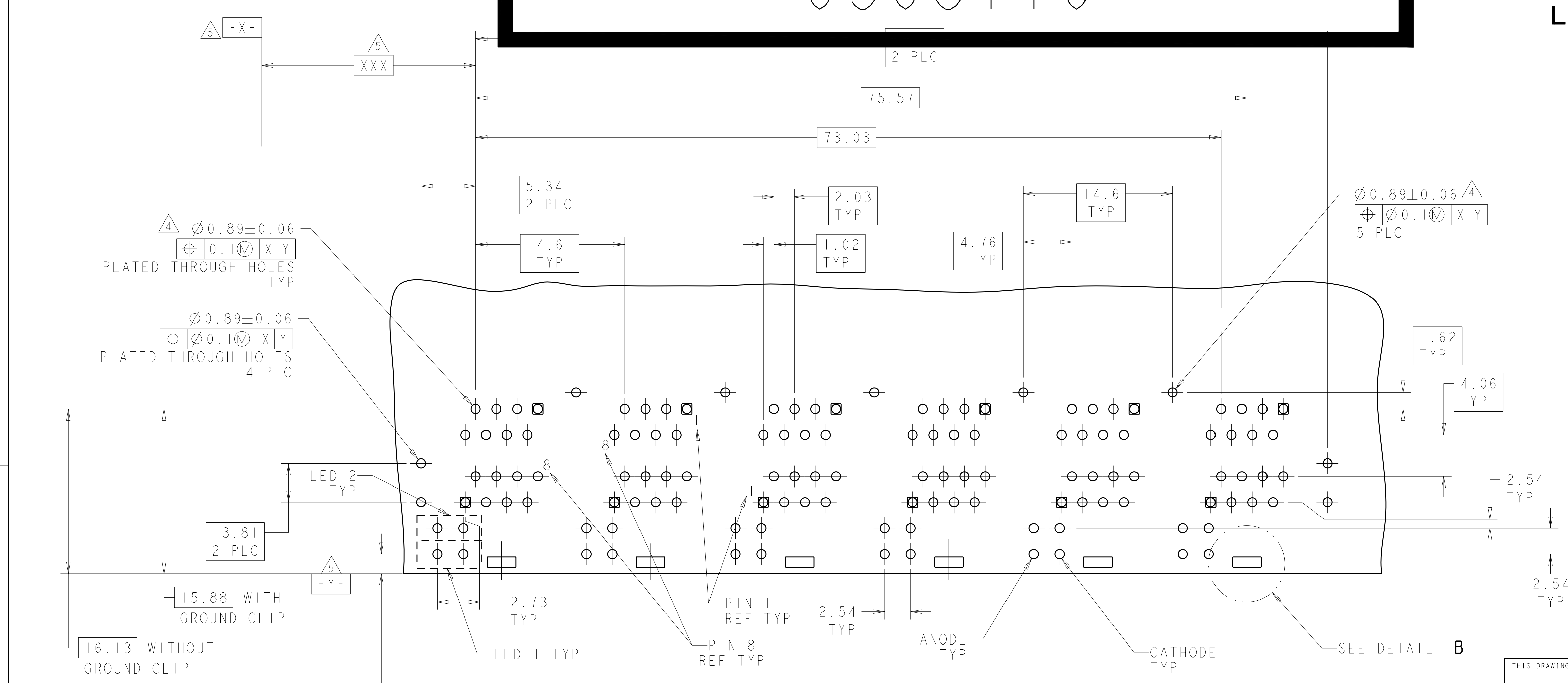
6368116



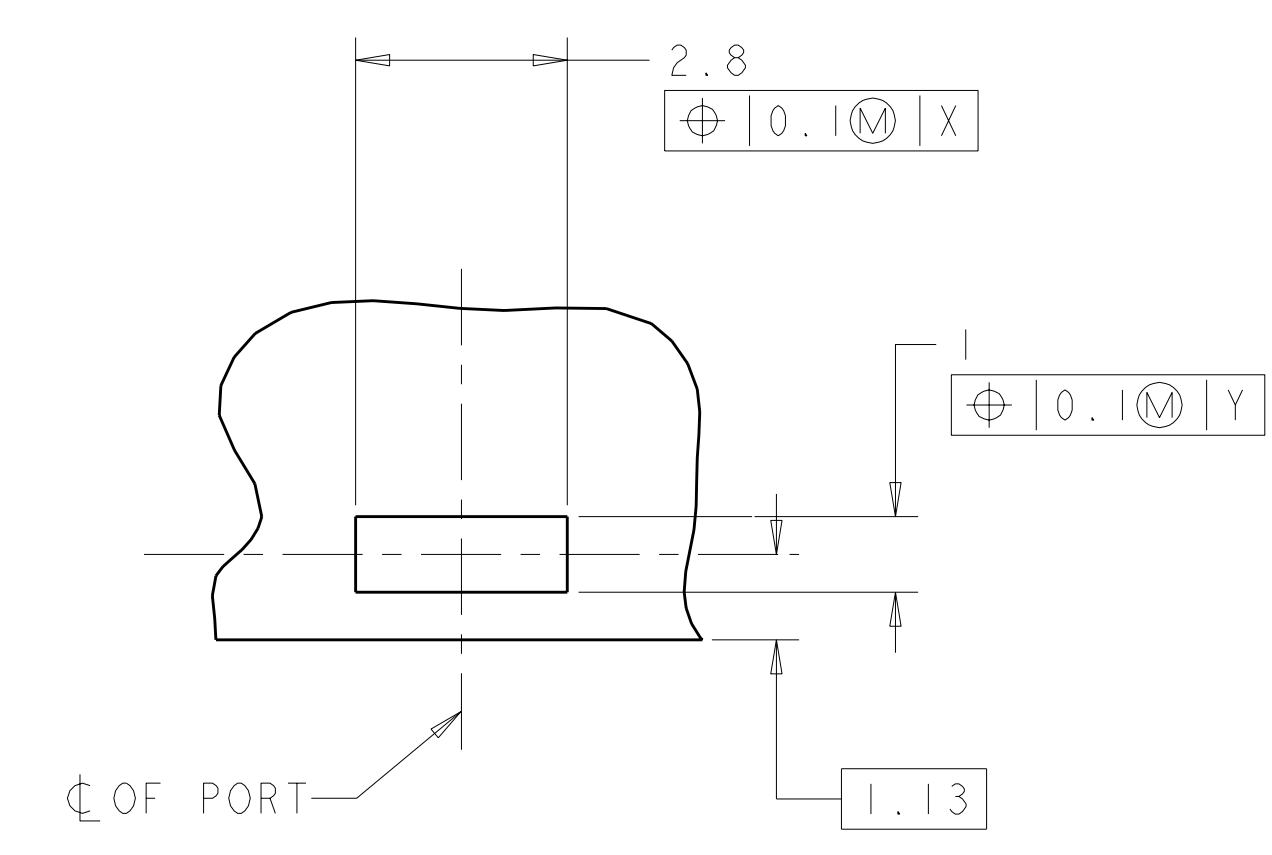
1368116-1, -2
LED SCHEMATIC



1368116-3
LED SCHEMATIC



PC BOARD LAYOUT
(COMPONENT SIDE)



DETAIL B
THESE PLATED PADS REQUIRED FOR 1368116-2
PRODUCT WITH GROUNDING CLIPS
SCALE 10:1
6 PLACES

THIS DRAWING IS A CONTROLLED DOCUMENT.		OWN: J. AHERON 02NOV00	STE TE Connectivity
DIMENSIONS: mm		CHK: E. LAURER 02NOV00	
TOLERANCES UNLESS OTHERWISE SPECIFIED:		APPV: E. LAURER 02NOV00	NAME: OFFSET STACKED MOD JACK ASSEMBLY
9 PLC	±	PRODUCT SPEC	2 X 6, 8 POSITION, RJ45, SHIELDED,
2 PLC	±0.13	108-1854	PANEL GROUND, WITH LEFT LED, CAT 5
5 PLC	±	APPLICATION SPEC	
4 PLC	±	114-2160	
ANGLES	±1°	WEIGHT	
MATERIAL: SEE NOTE 1	FINISH: SEE NOTE 1	SCALE: 4:1	SHEET 2 OF 2
CUSTOMER DRAWING		SIZE: CAGE CODE DRAWING NO	REV G
		SIZE: A100779	REV G