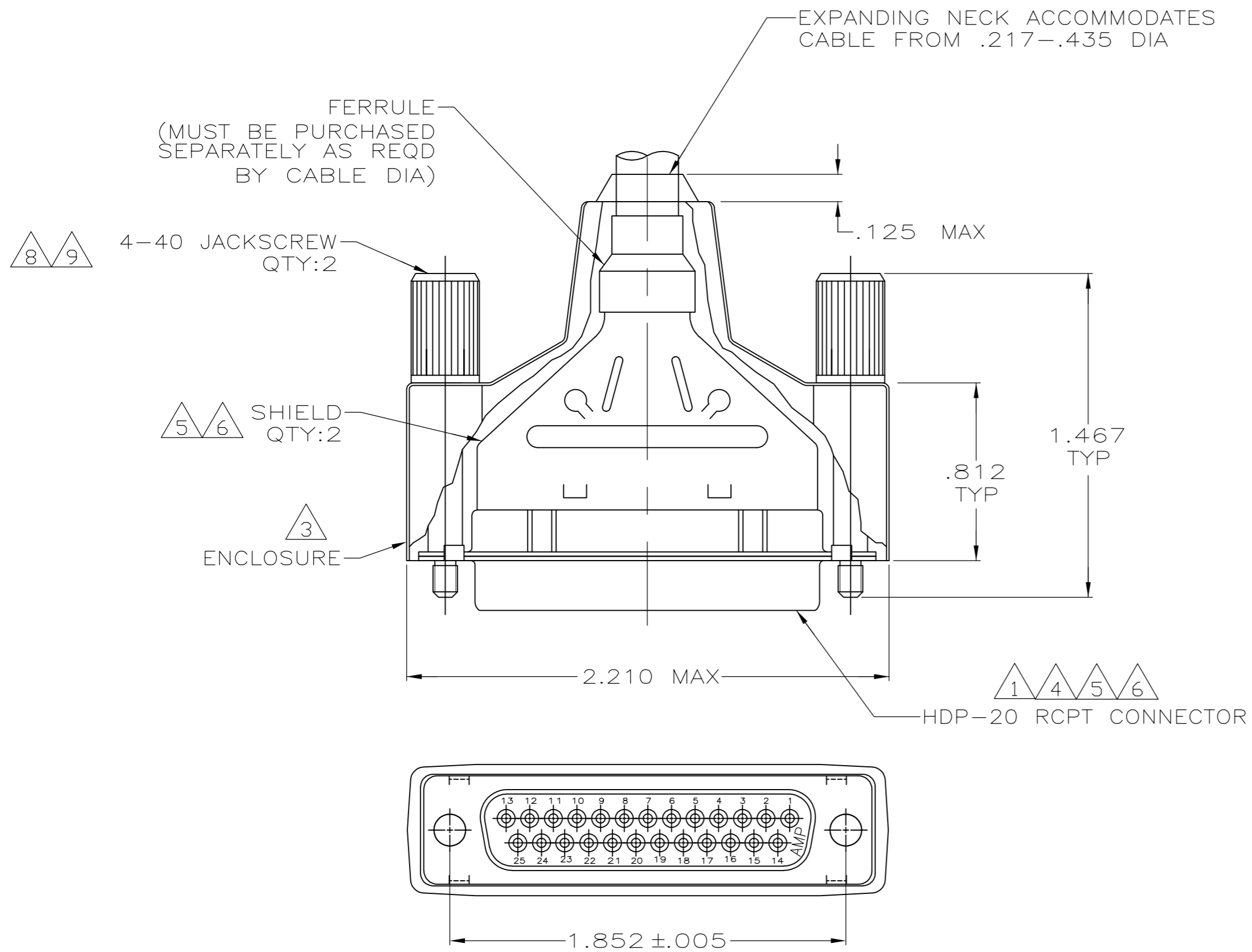


THIS DRAWING IS UNPUBLISHED. RELEASED FOR PUBLICATION
 © COPYRIGHT - By - ALL RIGHTS RESERVED.

| LOC | DIST | REVISIONS | | | |
|-----|------|-------------|---------------------------|-----------|---------|
| P | LTR | DESCRIPTION | DATE | DWN | APVD |
| GP | 00 | B | REVISED PER ECO-11-006475 | 18OCT2011 | CJV CWR |



- ① RCPT ACCEPTS SIZE 20 DF SOCKET CONTACTS. CONTACTS MUST BE PURCHASED SEPARATELY.
- 2. ALL PARTS SHIPPED UNASSEMBLED.
- ③ FLAME RETARDANT 94V-0 RATED, STYRENE POLYOLEFIN OR PVC, BLACK.
- ④ INSERT - FLAME RETARDANT 94V-0 RATED GLASS FILLED, NYLON OR POLYESTER, BLACK.
- ⑤ SHELLS & SHIELDS - STEEL PER ASTM A109.
- ⑥ SHELLS & SHIELDS - .000200 MIN TIN PLATE OVER .000100 MIN COPPER UNDERPLATE.
- ⑦ COMPONENTS INDIVIDUALLY BULK PACKED.
- ⑧ ZINC ALLOY.
- ⑨ ELECTRODEPOSITED POLYURETHANE, BLACK.

| | | |
|-----------|----------|-------------|
| ⑦ | W/ LOGOS | 1658658-1 |
| PACKAGING | REMARKS | PART NUMBER |

| | | | | |
|--|--|--|--|--|
| THIS DRAWING IS A CONTROLLED DOCUMENT. | | DWN J.REITZEL 31JUL03 | | |
| DIMENSIONS: mm | | CHK S.BOLASH 31JUL03 | | |
| TOLERANCES UNLESS OTHERWISE SPECIFIED: | | APVD M.WALMSLEY 31JUL03 | | |
| 0 PLC ± - 1 PLC ± - 2 PLC ± - 3 PLC ± .020 4 PLC ± - ANGLES ± - FINISH | | NAME 108-40030 APPLICATION SPEC 114-40030 WEIGHT - | | |
| MATERIAL ③④⑤⑧ | | SIZE A2 CAGE CODE 00779 DRAWING NO C=1658658 RESTRICTED TO - | | |
| CUSTOMER DRAWING | | SCALE 2:1 SHEET 1 of 1 REV B | | |