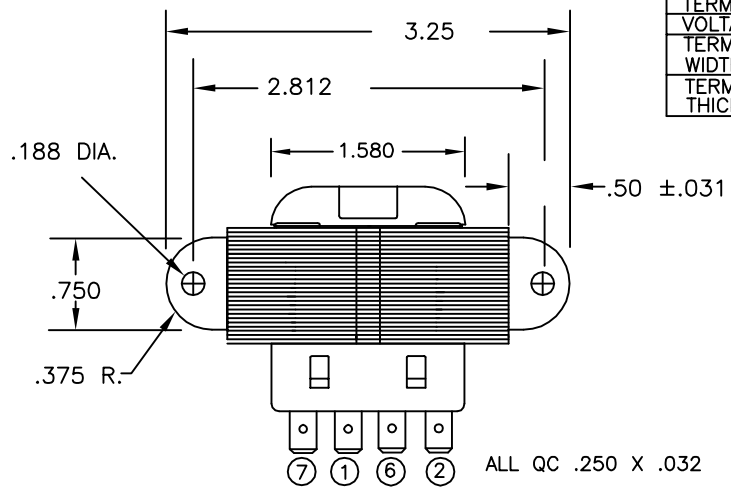


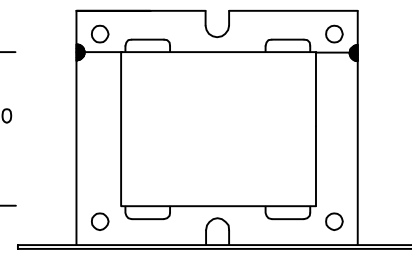
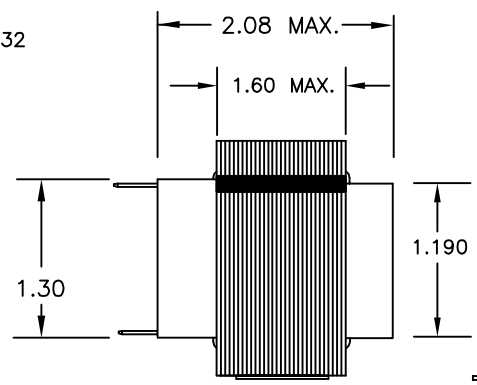
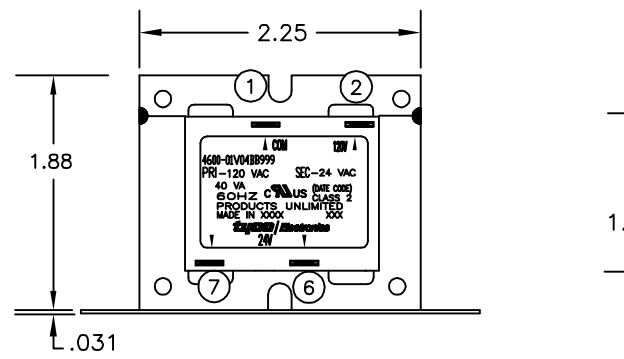
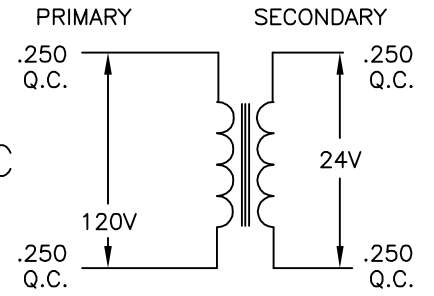
THIS DRAWING IS UNPUBLISHED. RELEASED FOR PUBLICATION
 © COPYRIGHT BY TYCO ELECTRONICS CORPORATION. ALL RIGHTS RESERVED.

LOC	DIST	REVISONS		
GZ	00	P	LTR	DESCRIPTION
		B		NEW FORMAT & EC0611-0528-03
			DATE	DWN
			04SEPT03	MD
				APVD
				WS

PRIMARY				NOTES		CERTIFICATION:	
TERMINAL NO.	1	2	3	1. DIMENSIONS FOR REFERENCE ONLY.		UL & CUL FILE NO. E87824	
VOLTAGE	COM	120		2. WINDING PROTECTION—INHERENTLY LIMITING		SECONDARY	
TERMINAL WIDTH	.250	.250				TERMINAL NO.	6
TERMINAL THICKNESS	.032	.032				VOLTAGE	24
						TERMINAL WIDTH	.250
						TERMINAL THICKNESS	.032
							.032



SCHEMATIC



TYCO PART NUMBER
9-1611476-3

THIS DRAWING IS A CONTROLLED DOCUMENT.		DWN	04SEP03	Products Tyco Electronics Corporation	
		CHK	04SEP03	Harrisburg, PA, 17105	
		APVD	04SEP03	NAME	
		W.SORAH		TRANSFORMER OUTLINE	
		W.SORAH		P.U. STOCK	
DIMENSIONS: INCHES		TOLERANCES UNLESS OTHERWISE SPECIFIED:		SIZE	CAGE CODE
0 PLC ± -		0 PLC ± -		A3	00779
1 PLC ± -		1 PLC ± -		DRAWING NO	C-4600-01V04BB999
2 PLC ± -		2 PLC ± -		RESTRICTED TO	
3 PLC ± -		3 PLC ± -		CUSTOMER DRAWING	
4 PLC ± -		4 PLC ± -		SCALE	NTS
ANGLES ± -		FINISH		SHEET	1 OF 1
MATERIAL		WEIGHT		REV	B