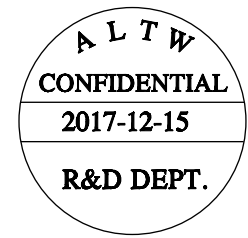
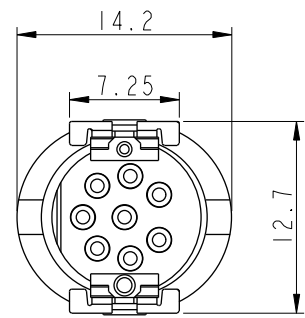
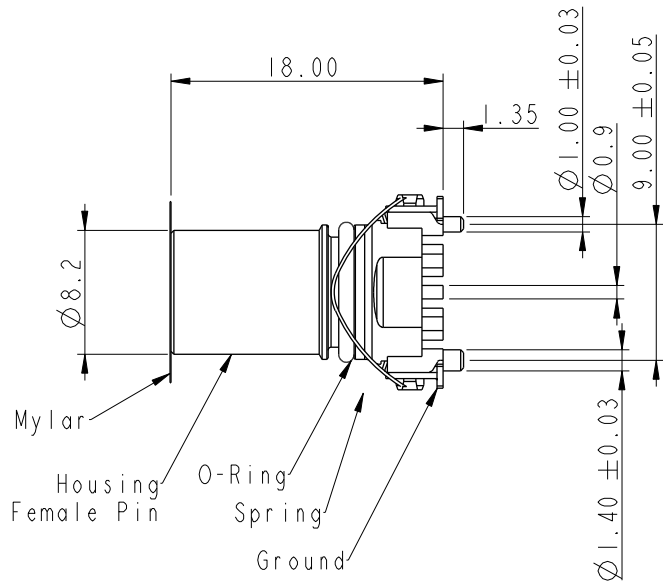


REV.	ECN NO.	DATE	SIGN	DESCRIPTION
A	Initial Release	2017/12/15	Arvin Chan	Change Rev.01 To Rev.A



Note:

- * \varnothing Important Dimension,
- Material Specification :
 - * Housing : Thermoplastic
 - * Female Pin : Copper Alloy, Gold Plated
 - * Ground : Copper Alloy, Tin Plated
 - * Spring : Stainless Steel
 - * O-Ring : Silicone, Gray
- Electrical Specification :
 - * Contact Resistance : $10m\Omega$ Max.
 - * Insulation Resistance : $100M\Omega$ min.
 - * Dielectric Withstanding Voltage : 1KV
 - * Rated Voltage : 3Pin&4Pin 250V d.c. or a.c.
5Pin 60V d.c. or a.c.
8Pin 30V d.c. or a.c.
 - * Rated Current : 3Pin,4Pin&5Pin 4A
8Pin 2A
- Mechanical Specification :
 - * Durability : 1000 Cycles(IEC : 100 Cycles)
- Environmental Specification :
 - * Temperature Range : -55~125°C
 - * Salt Spray : 48h
 - * SMT Temperature & Time : 260°C/5Sec
 - * SMT Paste : 0.12mm min.

MSAS:M12 A Code Shield
 MSBS:M12 B Code Shield
 MSDS:M12 D Code Shield
 03:3Pin
 04:4Pin
 05:5Pin
 08:8Pin
 P:Panel
 F:Female Connector

M S * S - * * P F F T - E E 8 0 0 1

001:Serial Number
 8:IP68(Mated,1M/24Hours)
 IP65(Unmated)
 E:None Back Shell
 E:None Mating Style
 T:SMT Type
 F:Female Pin

UNIT:mm		
TOLERANCE	.X ±0.25	.XX ±0.1
	.XXX ±0.05	ANGLES ±1°

TITLE M12 F CONN F PIN SMT TYPE		
SCALE 1:1	SIZE A4	SHEET 1 OF 4
REV. A	WC-REV. A.2	QC: Inspection item

Amphenol LTW
 安費諾亮泰企業股份有限公司

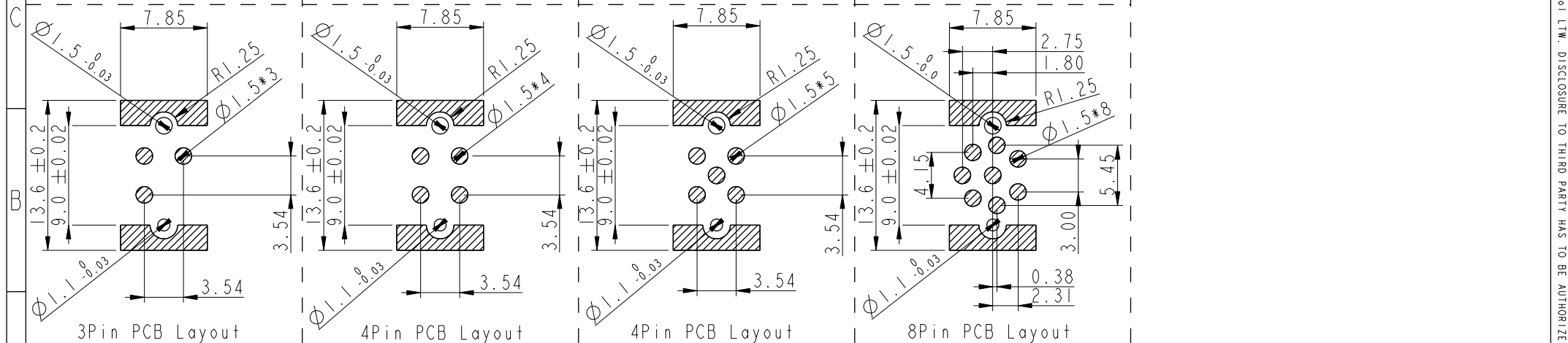
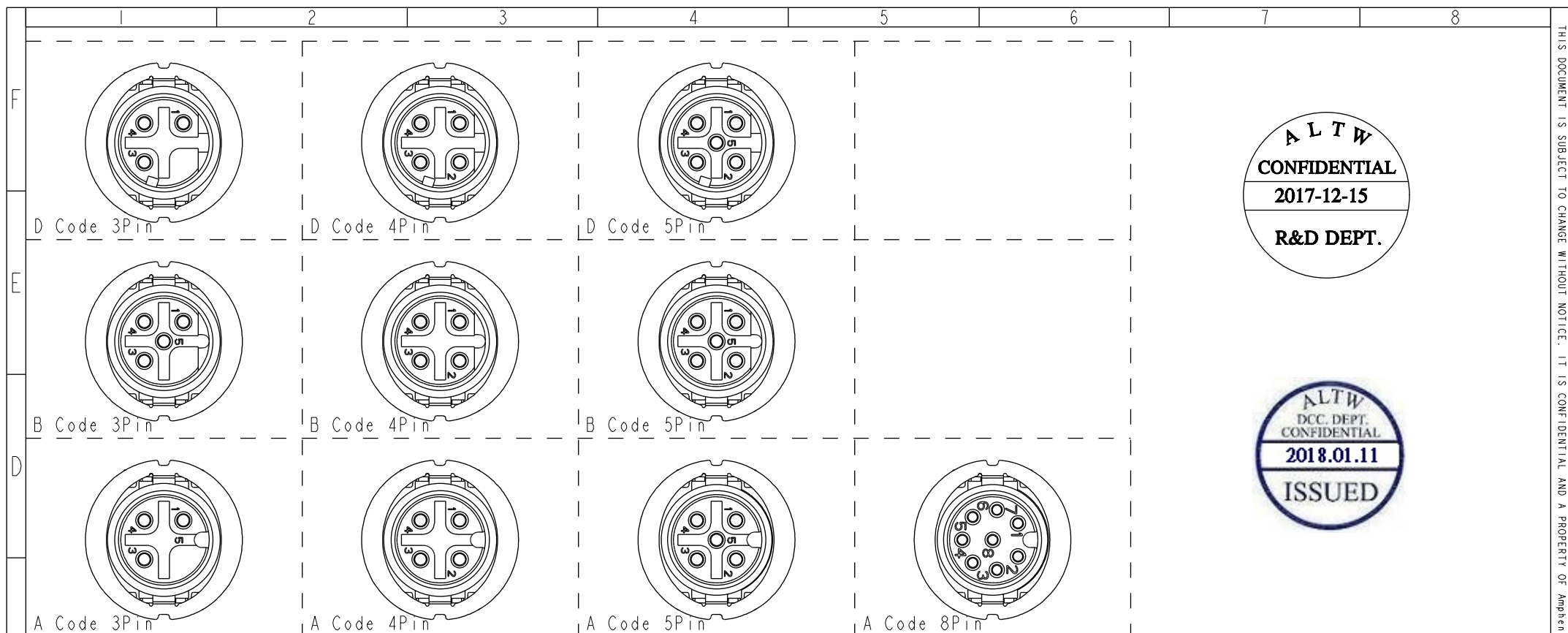
ITEM NO	DRAWN BY Arvin Chan	DATE 2017-12-15
DWG NO MSXS-XXPFPT-EE8XXX	CHECKED BY Aric Ko	DATE 2017-12-15
CUSTOMER ALTW	APPROVED BY Kevin Hu	DATE 2017-12-15

THIS DOCUMENT IS SUBJECT TO CHANGE WITHOUT NOTICE. IT IS CONFIDENTIAL AND A PROPERTY OF AMPHENOL LTW. DISCLOSURE TO THIRD PARTY HAS TO BE AUTHORIZED BY AMPHENOL LTW.

THIS DOCUMENT IS SUBJECT TO CHANGE WITHOUT NOTICE. IT IS CONFIDENTIAL AND A PROPERTY OF Amphenol LTW. DISCLOSURE TO THIRD PARTY HAS TO BE AUTHORIZED BY Amphenol LTW.

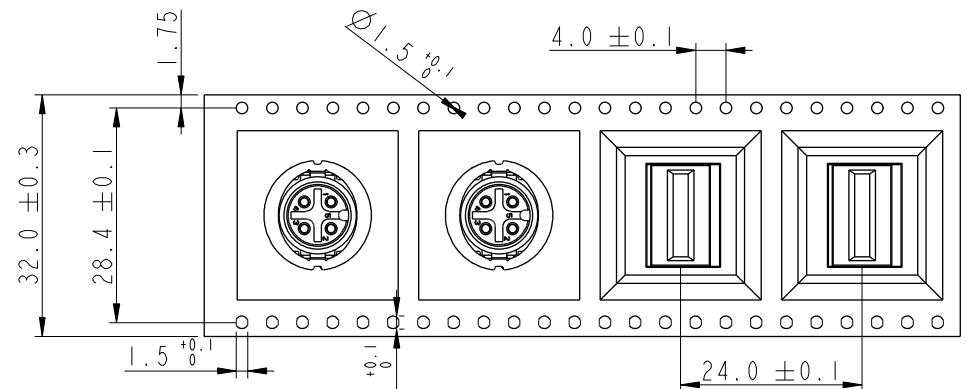
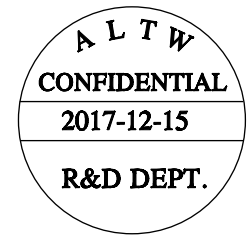
ALTW
CONFIDENTIAL
 2017-12-15
R&D DEPT.

ALTW
 DCC. DEPT.
 CONFIDENTIAL
 2018.01.11
ISSUED

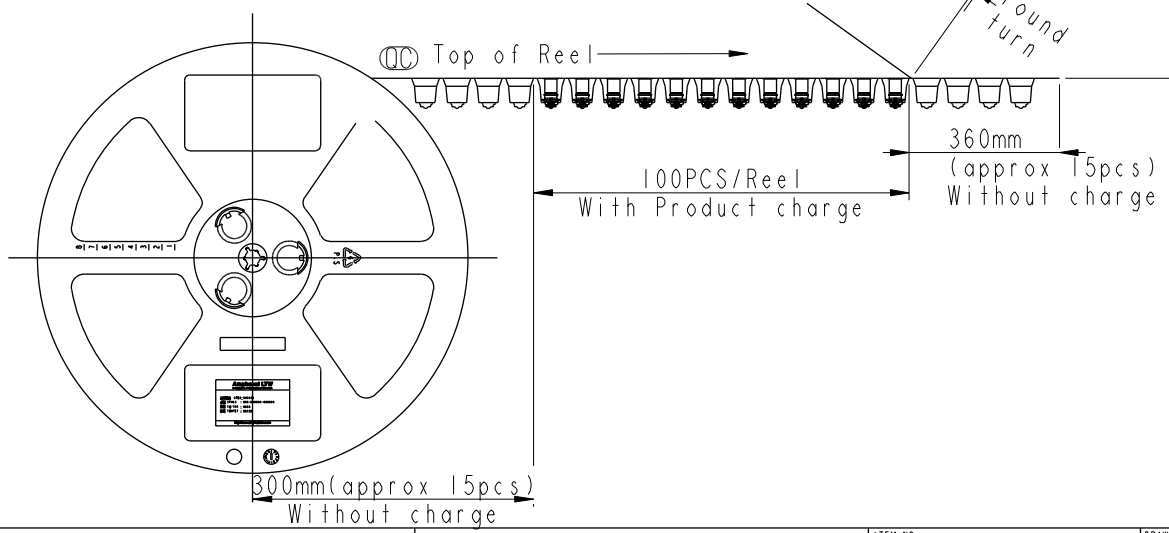
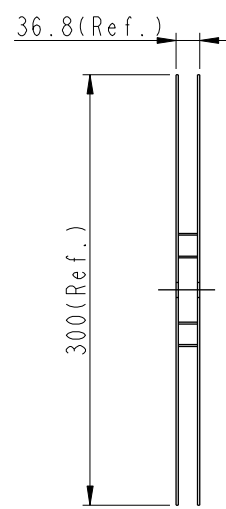
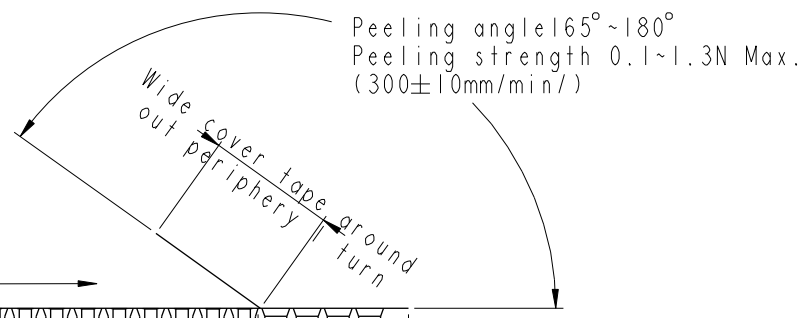
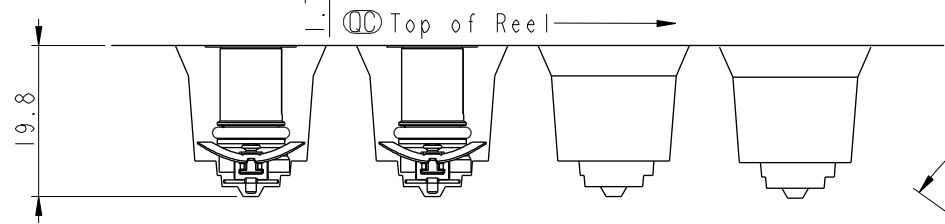


UNIT: mm TOLERANCE .X ±0.25 .XX ±0.1 .XXX ±0.05 ANGLES ±1°			TITLE M12 F CONN F PIN SMT TYPE		<h2 style="margin: 0;">Amphenol LTW</h2> 安費諾亮泰企業股份有限公司	ITEM NO	DRAWN BY Arvin Chan	DATE 2017-12-15
	SCALE 1:1		SIZE A4	SHEET 2 OF 4	DWG NO MSXS-XXPFPT-EE8XXX	CHECKED BY Aric Ko	DATE 2017-12-15	
	REV. A	WC-REV. .0	(QC): Inspection item	CUSTOMER ALTW	APPROVED BY Kevin Hu	DATE 2017-12-15		

THIS DOCUMENT IS SUBJECT TO CHANGE WITHOUT NOTICE. IT IS CONFIDENTIAL AND A PROPERTY OF AMPHENOL LTW. DISCLOSURE TO THIRD PARTY HAS TO BE AUTHORIZED BY AMPHENOL LTW.



NOTE:
 (CC)* Connector Orient follow Drawing



UNIT: mm		
TOLERANCE	.X ±0.25	
	.XX ±0.1	
	.XXX ±0.05	
ANGLES	±1°	

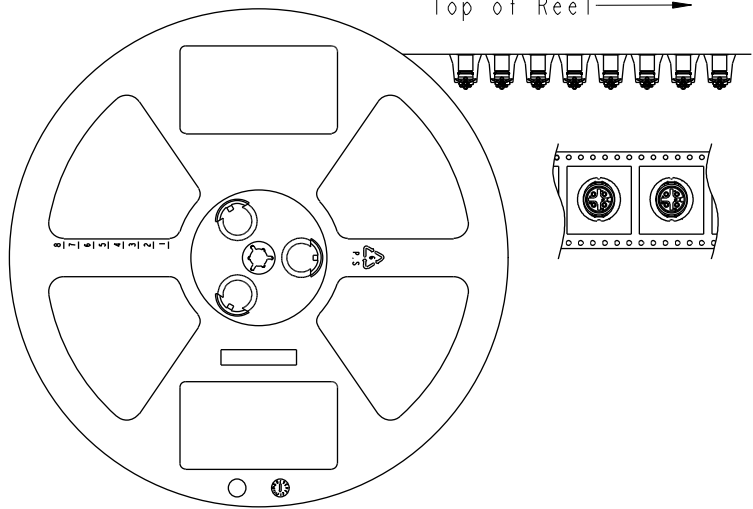
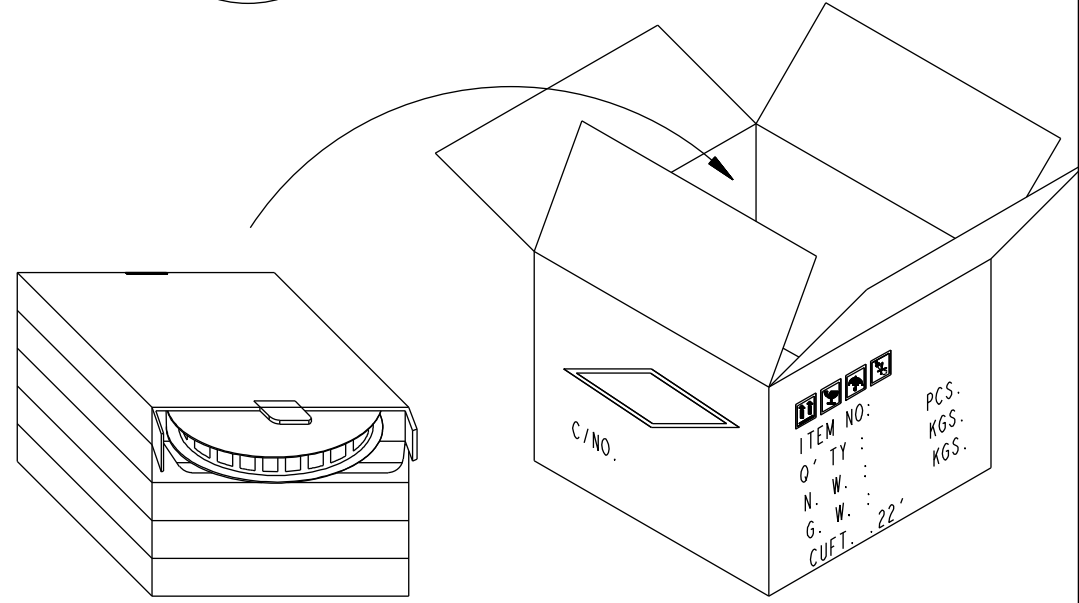
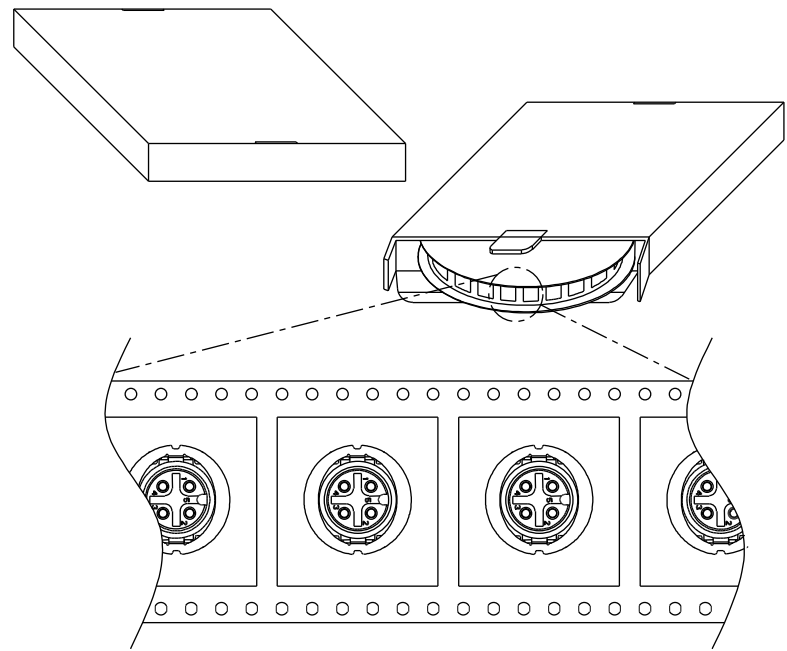
TITLE M12 F CONN F PIN SMT TYPE			
SCALE	1:1	SIZE	A4
		SHEET	3 OF 4
REV.	A	WC-REV.	.0
(CC): Inspection item			

Amphenol LTW
 安費諾亮泰企業股份有限公司

ITEM NO	DRAWN BY	DATE
	Arvin Chan	2017-12-15
DWG NO	CHECKED BY	DATE
MSXS-XXPFFT-EE8XXX	Aric Ko	2017-12-15
CUSTOMER	APPROVED BY	DATE
ALTW	Kevin Hu	2017-12-15

THIS DOCUMENT IS SUBJECT TO CHANGE WITHOUT NOTICE. IT IS CONFIDENTIAL AND A PROPERTY OF Amphenol LTW. DISCLOSURE TO THIRD PARTY HAS TO BE AUTHORIZED BY Amphenol LTW.

ALTW
CONFIDENTIAL
 2017-12-15
R&D DEPT.



Note:
 100 PCS(Connector)/Tape&Reel Put in a Box
 5PCS(Max.) Box Put in a Carton

ALTW
DCC. DEPT.
CONFIDENTIAL
 2018.01.11
ISSUED

UNIT: mm TOLERANCE .X ±0.25 .XX ±0.1 .XXX ±0.05 ANGLES ±1°		TITLE MI2 F CONN F PIN SMT TYPE			ITEM NO MSXS-XXPFFT-EE8XXX		DRAWN BY Arvin Chan		DATE 2017-12-15			
		SCALE 1:1			SIZE A4		SHEET 4 OF 4		CHECKED BY Aric Ko		DATE 2017-12-15	
		REV. A			WC-REV. .0		QC: Inspection item		APPROVED BY Kevin Hu		DATE 2017-12-15	
<h1 style="margin: 0;">Amphenol LTW</h1> <p style="margin: 0;">安費諾亮泰企業股份有限公司</p>				CUSTOMER ALTW		DATE 2017-12-15		DATE 2017-12-15				