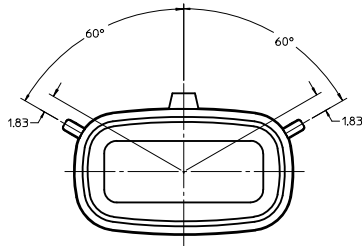
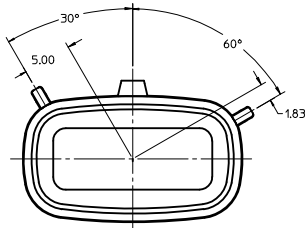


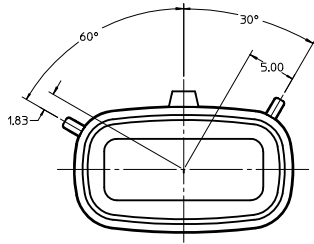
### CUSTOMER SHROUD DESIGN DETAILS



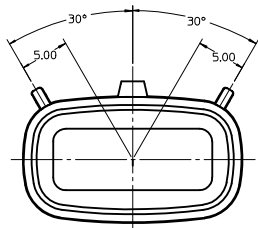
**KEYING OPTION 'A'**  
SUGGESTED COLOR: BLACK



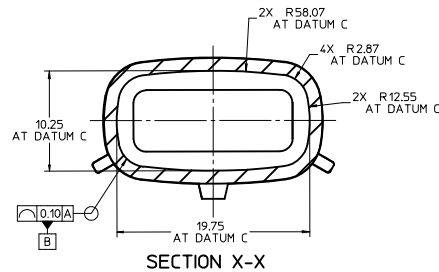
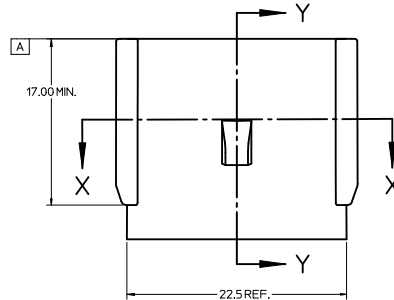
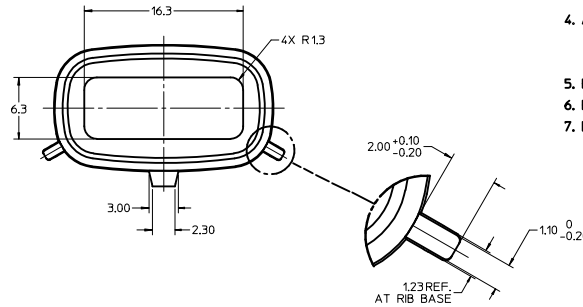
**KEYING OPTION 'B'**  
SUGGESTED COLOR: GREY



**KEYING OPTION 'C'**  
SUGGESTED COLOR: BROWN

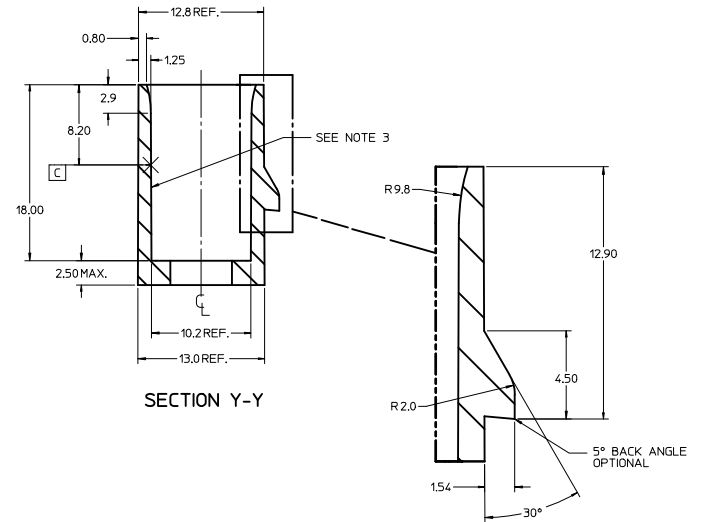


**KEYING OPTION 'D'**  
SUGGESTED COLOR: GREEN

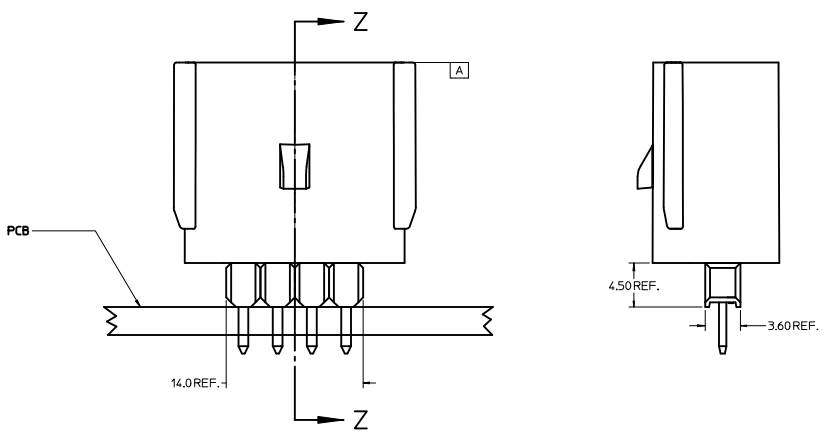
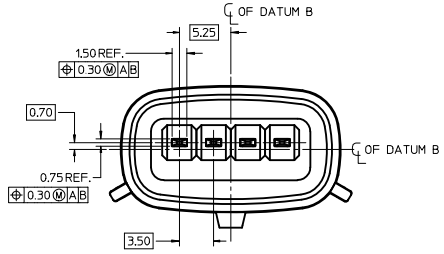


**NOTES:**

- REFER TO MOLEX SALES DRAWING SD-75757-002 FOR THE HEADER ASSEMBLY PRODUCT DETAILS AND RECOMMENDED PCB LAYOUT.
- KEYING OPTIONS A-D AND SUGGESTED COLORS COMPLY TO THE POLARIZATION STANDARDS ESTABLISHED FOR MATING WITH A MX150 FEMALE CONNECTOR.
- INTERIOR SHROUD SURFACE MUST BE FREE OF DEFECTS AND PARTING LINES ALL AROUND TO ENSURE PROPER SEALING OF THE MATING MX150 FEMALE CONNECTOR.
- A FULL SHROUD ON THE MATING CONNECTOR IS REQUIRED TO INSURE THE HEADER SHROUD POLARIZATION FEATURES (OPTIONS A-D) WILL FUNCTION PROPERLY. THE FULL SHROUD ALSO PREVENTS SCOOP DAMAGE TO THE HEADER CONTACTS.
- PERMISSIBLE DRAFT ANGLE 0.25° MAXIMUM.
- RADI ON ALL CORNERS SHOWN SHARP OR ALL UNSPECIFIED RADI 0.25 EXCEPT AS NOTED.
- DIMENSIONS SHOWN ABOUT A CENTERLINE ARE SYMMETRICAL ABOUT THAT CENTERLINE WITHIN HALF THE SPECIFIED TOLERANCE.

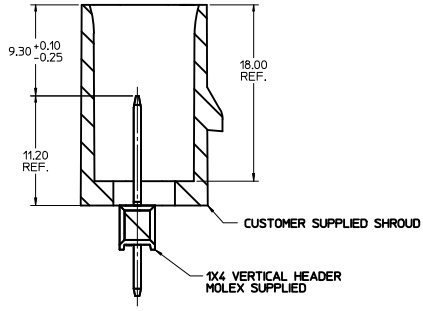


<b>ADDED PLUG ASSY</b> EC NO: UCP2011-2680 D DRAWN BY: UCP2011-2680 CHKD: UCP2011-2680 APPR: COMERCL 2011/03/07 2011/03/07	QUALITY SYMBOLS ▽=0 ▽=0		GENERAL TOLERANCES (UNLESS SPECIFIED) <table border="1"> <tr> <th></th> <th>mm</th> <th>INCH</th> </tr> <tr> <td>4 PLACES</td> <td>±0.10</td> <td>±0.004</td> </tr> <tr> <td>3 PLACES</td> <td>±0.15</td> <td>±0.005</td> </tr> <tr> <td>2 PLACES</td> <td>±0.20</td> <td>±0.008</td> </tr> <tr> <td>1 PLACE</td> <td>±0.25</td> <td>±0.010</td> </tr> </table> ANGULAR ±1/2°			mm	INCH	4 PLACES	±0.10	±0.004	3 PLACES	±0.15	±0.005	2 PLACES	±0.20	±0.008	1 PLACE	±0.25	±0.010	DIMENSION STYLE <b>MM ONLY</b>		SCALE <b>4:1</b>		DESIGN UNITS <b>METRIC</b>		THIRD ANGLE PROJECTION	
		mm	INCH																								
	4 PLACES	±0.10	±0.004																								
	3 PLACES	±0.15	±0.005																								
2 PLACES	±0.20	±0.008																									
1 PLACE	±0.25	±0.010																									
DRAFT WHERE APPLICABLE MUST REMAIN WITHIN DIMENSIONS			DRAWN BY: TMCCLELL DATE: 03/30/2006		CHECKED BY: TMCCLELL DATE: 3/30/2006		APPROVED BY: BANAKIS DATE: 3/31/2006		TITLE <b>APPLICATION SPEC 1X4 MX150 HEADER SHROUD DETAILS</b>																		
MATERIAL NO. <b>75757-1040</b>			DOCUMENT NO. <b>AS-75757-104</b>		MOLEX INCORPORATED		SHEET NO. <b>1 OF 2</b>		THIS DRAWING CONTAINS INFORMATION THAT IS PROPRIETARY TO MOLEX INCORPORATED AND SHOULD NOT BE USED WITHOUT WRITTEN PERMISSION																		
SIZE D																											

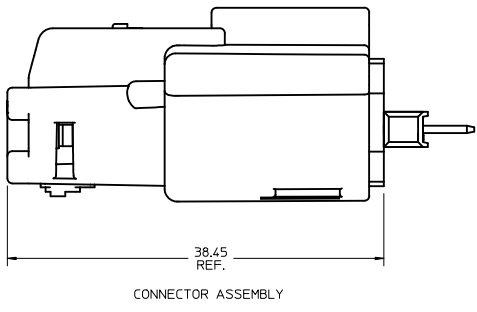


HEADER APPLICATION DETAILS

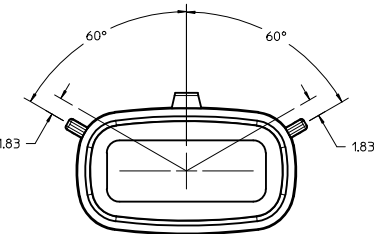
NOTES:  
 1. ADHERENCE TO THE HEADER APPLICATION DETAILS IS IMPERATIVE TO ENSURE PROPER SHROUD SEALING AND CONTACT ALIGNMENT WHEN MATED WITH A MX150 FEMALE CONNECTOR.



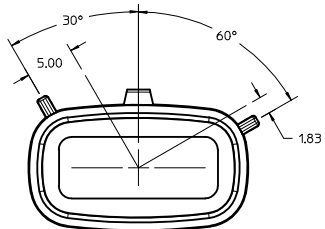
SECTION Z-Z



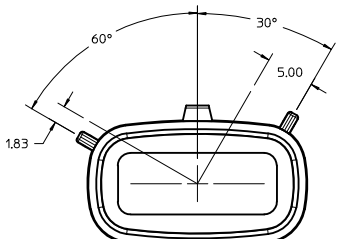
<b>SEE SHEET 1</b> IEC NO: UCP2011-2680 DRAWN BY: DRWN:DRSCA CHYD: APPR: JCOMERCL 2011/03/04 2011/03/07	QUALITY SYMBOLS ▽=0 ▽=0	GENERAL TOLERANCES (UNLESS SPECIFIED) <table border="1"> <tr> <th></th> <th>mm</th> <th>INCH</th> </tr> <tr> <td>4 PLACES</td> <td>±---</td> <td>±---</td> </tr> <tr> <td>3 PLACES</td> <td>±---</td> <td>±---</td> </tr> <tr> <td>2 PLACES</td> <td>±0.10</td> <td>±---</td> </tr> <tr> <td>1 PLACE</td> <td>±0.2</td> <td>±---</td> </tr> </table>		mm	INCH	4 PLACES	±---	±---	3 PLACES	±---	±---	2 PLACES	±0.10	±---	1 PLACE	±0.2	±---	DIMENSION STYLE <b>MM ONLY</b>	SCALE <b>4:1</b>	DESIGN UNITS <b>METRIC</b>	THIRD ANGLE PROJECTION
		mm	INCH																		
	4 PLACES	±---	±---																		
	3 PLACES	±---	±---																		
2 PLACES	±0.10	±---																			
1 PLACE	±0.2	±---																			
DRAFT WHERE APPLICABLE MUST REMAIN WITHIN DIMENSIONS	DRAWN BY: TMCLELL DATE: 03/30/2006 CHECKED BY: TMCLELL DATE: 3/30/2006 APPROVED BY: BANAKIS DATE: 3/31/2006	MATERIAL NO: <b>75757-1040</b>	DOCUMENT NO: <b>AS-75757-104</b>	TITLE <b>APPLICATION SPEC 1X4 MX150 HEADER SHROUD DETAILS</b>	MOLEX INCORPORATED	SHEET NO: <b>2 OF 2</b>															
THIS DRAWING CONTAINS INFORMATION THAT IS PROPRIETARY TO MOLEX INCORPORATED AND SHOULD NOT BE USED WITHOUT WRITTEN PERMISSION																					



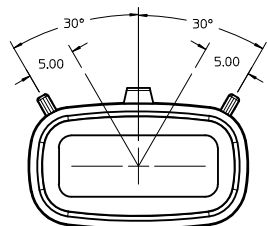
**KEYING OPTION "A"**  
SUGGESTED COLOR: BLACK



**KEYING OPTION "B"**  
SUGGESTED COLOR: GREY

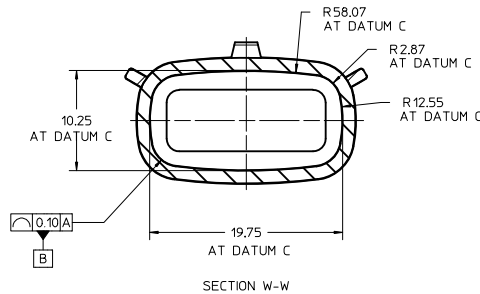
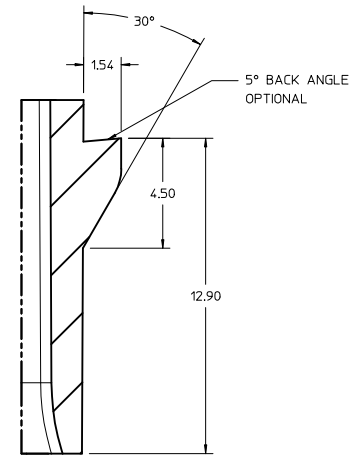
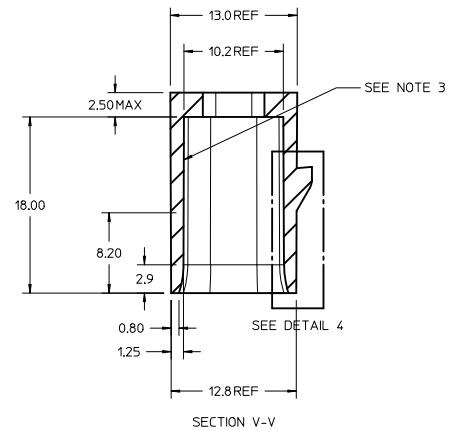
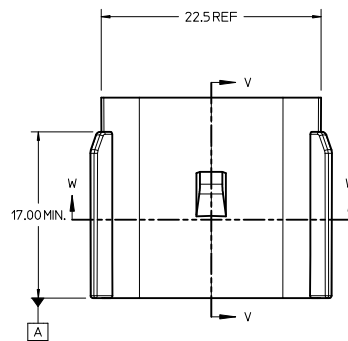
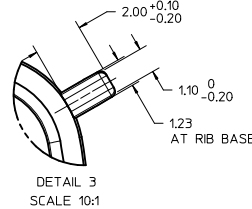
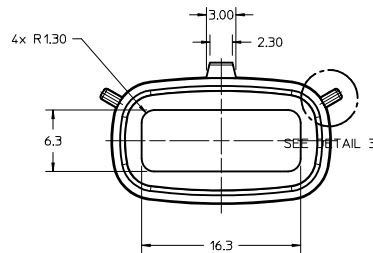


**KEYING OPTION "C"**  
SUGGESTED COLOR: BROWN



**KEYING OPTION "D"**  
SUGGESTED COLOR: GREEN

**CUSTOMER SHROUD DESIGN DETAILS**

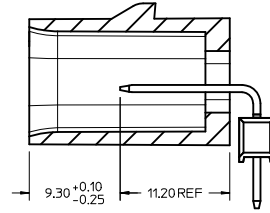
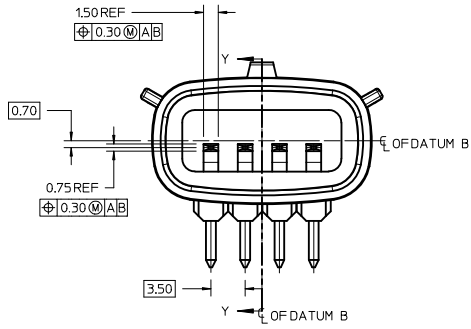


**NOTES:**

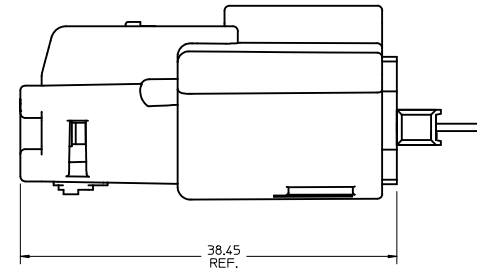
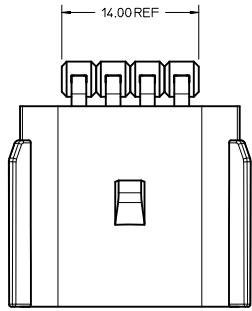
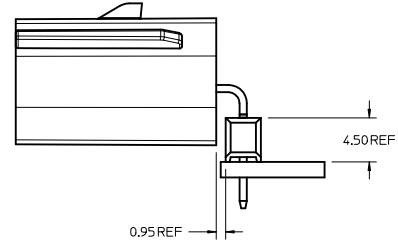
1. REFER TO MOLEX SALES DRAWING SD-75900-002 FOR THE HEADER ASSEMBLY PRODUCT DETAILS AND RECOMMENDED PCB LAYOUT.
2. KEYING OPTIONS A-D AND SUGGESTED COLORS COMPLY TO THE POLARIZATION STANDARDS ESTABLISHED FOR MATING WITH A MX150 FEMALE CONNECTOR.
3. INTERIOR SHROUD SURFACE MUST BE FREE OF DEFECTS AND PARTING LINES ALL AROUND TO ENSURE PROPER SEALING OF THE MATING MX150 FEMALE CONNECTOR.
4. A FULL SHROUD ON THE MATING CONNECTOR IS REQUIRED TO INSURE THE HEADER SHROUD POLARIZATION FEATURES (OPTIONS A-D) WILL FUNCTION PROPERLY. THE FULL SHROUD ALSO PREVENTS SCOOP DAMAGE TO THE HEADER CONTACTS.
5. PERMISSIBLE DRAFT ANGLE 0.25° MAXIMUM.
6. RADII ON ALL CORNERS SHOWN SHARP OR ALL UNSPECIFIED RADII 0.25 EXCEPT AS NOTED.
7. DIMENSIONS SHOWN ABOUT A CENTERLINE ARE SYMMETRICAL ABOUT THAT CENTERLINE WITHIN HALF THE SPECIFIED TOLERANCE.

<b>INITIAL RELEASE</b> EC NO: UCP2011-3372 DRAWN BY: DROSCA CHECKED BY: JCOMERC I APPROVED BY: JCOMERC I DATE: 2011/06/17 DATE: 2011/06/17 DATE: 2011/06/17	<b>QUALITY SYMBOLS</b> ▽=0 ▽=0	<b>GENERAL TOLERANCES (UNLESS SPECIFIED)</b>		<b>DIMENSION STYLE</b> MM ONLY	<b>SCALE</b> 4:1	<b>DESIGN UNITS</b> METRIC	THIRD ANGLE PROJECTION		
		4 PLACES ± --- INCH 3 PLACES ± --- INCH 2 PLACES ± 0.10 INCH 1 PLACE ± 0.2 INCH	4 PLACES ± --- MM 3 PLACES ± --- MM 2 PLACES ± 0.10 MM 1 PLACE ± 0.2 MM	DRAWN BY: DROSCA CHECKED BY: JCOMERC I APPROVED BY: JCOMERC I	DATE: 2011/06/17 DATE: 2011/06/17 DATE: 2011/06/17	TITLE: APPLICATION SPEC 1X4 MX150 HEADER SHROUD DETAILS	MOLEX INCORPORATED		
		DRAFT WHERE APPLICABLE MUST REMAIN WITHIN DIMENSIONS		MATERIAL NO: 759001040	DOCUMENT NO: AS-75900-104	SHEET NO: 1 OF 2			
		THIS DRAWING CONTAINS INFORMATION THAT IS PROPRIETARY TO MOLEX INCORPORATED AND SHOULD NOT BE USED WITHOUT WRITTEN PERMISSION							

# HEADER APPLICATION DETAILS



SECTION Y-Y

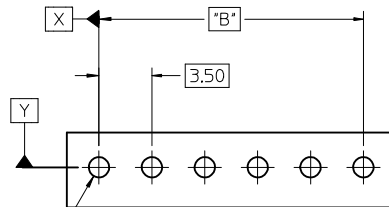
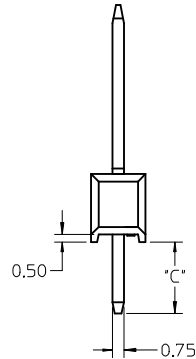
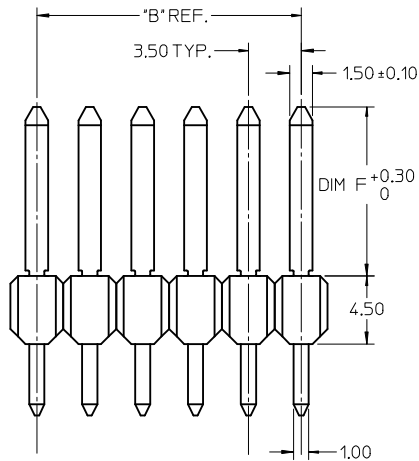
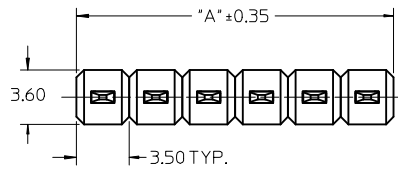


CONNECTOR ASSEMBLY

**NOTES:**

- ADHERENCE TO THE HEADER APPLICATION DETAILS IS IMPERATIVE TO ENSURE PROPER SHROUD SEALING AND CONTACT ALIGNMENT WHEN MATED WITH A MX150 FEMALE CONNECTOR.

SEE SHEET 1 IEC NO: UCP2011-3372 DRAWN BY: DROSCA 2011/06/17 CHECKED BY: JCOMERCI 2011/06/17 APPR: JCOMERCI 2011/06/17 REV: 1	QUALITY SYMBOLS	GENERAL TOLERANCES (UNLESS SPECIFIED)	DIMENSION STYLE	SCALE	DESIGN UNITS	THIRD ANGLE PROJECTION
	$\nabla=0$ $\nabla=0$	mm INCH 4 PLACES ± --- ± --- 3 PLACES ± --- ± --- 2 PLACES ± 0.10 ± --- 1 PLACE ± 0.2 ± --- ANGULAR ± 1/2°	MM ONLY	4:1	METRIC	
	DESCRIPTION	DRAFT WHERE APPLICABLE MUST REMAIN WITHIN DIMENSIONS	DRAWN BY: DROSCA 2011/06/17	DATE: 2011/06/17	TITLE: APPLICATION SPEC 1X4 MX150 HEADER SHROUD DETAILS	MOLEX INCORPORATED
	WATERL. NO. SEE SHEET 1 DOCUMENT NO. AS-75900-104 SHEET NO. 2 OF 2	THIS DRAWING CONTAINS INFORMATION THAT IS PROPRIETARY TO MOLEX INCORPORATED AND SHOULD NOT BE USED WITHOUT WRITTEN PERMISSION				



φ 1.35 ±0.05  
 ⊕ ⊖ 0.20 X Y

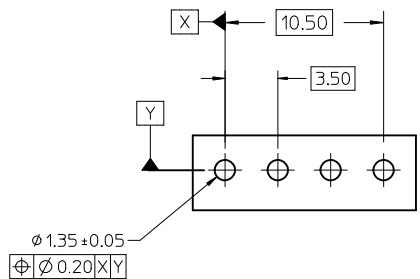
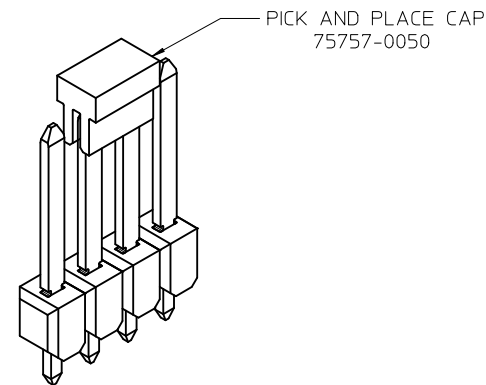
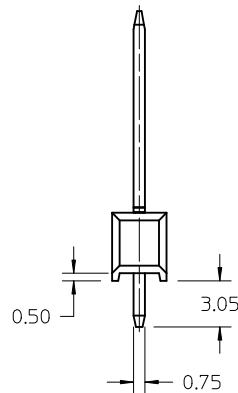
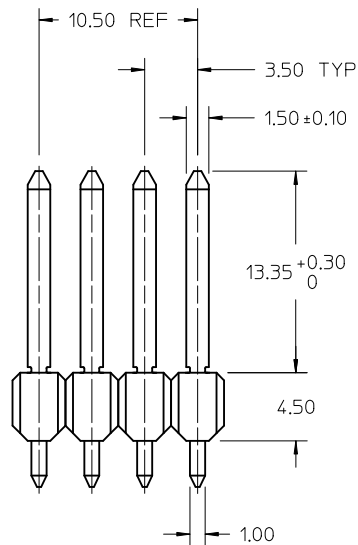
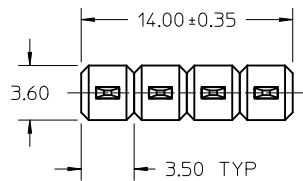
RECOMMENDED PCB LAYOUT

NOTES:

1. TERMINAL MAT'L: ALLOY C26000, CARTRIDGE BRASS
2. WAFER MAT'L: 30% GLASS FILLED LCP, 94V-0, COLOR BLACK.
3. TERMINAL PLATING:
  - OPTION 4 - 1.54μm MIN MATTE TIN OVERALL OVER 1.254μm NICKEL OVERALL
  - OPTION 1 - 2.54μm MIN MATTE TIN OVERALL OVER 1.254μm NICKEL OVERALL
  - OPTION 2 - 1.254μm NICKEL OVERALL 2.54μm MIN SELECT MATTE TIN PC TAIL AREA 0.054μm MIN SELECT GOLD CONTACT AREA
  - OPTION 3 - 1.254μm NICKEL OVERALL 2.54μm MIN SELECT MATTE TIN PC TAIL AREA 0.754μm SELECT GOLD CONTACT AREA
4. HEADER ASSEMBLIES ARE TUBE PACKAGED PER PK-75757-9910.
5. COMPLIES WITH USCAR 1.5mm TERMINAL BLADE SPECIFICATION.

CKT SIZE	PLATING OPTION	TOOLED		TOOLED		TOOLED		NOT TOOLED		STATUS					
		MATERIAL NUMBER	*F* DIM	*C* DIM	MATERIAL NUMBER	*F* DIM	*C* DIM	MATERIAL NUMBER	*F* DIM	*C* DIM	*A* DIM	*B* DIM			
1 x 2	1	75757-0121	11.20	3.05	75757-0122	11.20	4.75	75757-0123	16.09	3.05	75757-0124	13.35	3.05	7	3.5
	2	75757-0221			75757-0222			75757-0223			75757-0224				
	3	75757-0321			75757-0322			75757-0323			75757-0324				
	4	75757-0421			75757-0422			75757-0423			75757-0424				
1 x 3	1	75757-0131	11.20	3.05	75757-0132	11.20	4.75	75757-0133	16.09	3.05	75757-0134	13.35	3.05	10.5	7.00
	2	75757-0231			75757-0232			75757-0233			75757-0234				
	3	75757-0331			75757-0332			75757-0333			75757-0334				
	4	75757-0431			75757-0432			75757-0433			75757-0434				
1 x 4	1	75757-0141	11.20	3.05	75757-0142	11.20	4.75	75757-0143	16.09	3.05	75757-0144	13.35	3.05	14.0	10.50
	2	75757-0241			75757-0242			75757-0243			75757-0244				
	3	75757-0341			75757-0342			75757-0343			75757-0344				
	4	75757-0441			75757-0442			75757-0443			75757-0444				
1 x 5	1	75757-0151	11.20	3.05	75757-0152	11.20	4.75	75757-0153	16.09	3.05	75757-0154	13.35	3.05	17.5	14.00
	2	75757-0251			75757-0252			75757-0253			75757-0254				
	3	75757-0351			75757-0352			75757-0353			75757-0354				
	4	75757-0451			75757-0452			75757-0453			75757-0454				
1 x 6	1	75757-0161	11.20	3.05	75757-0162	11.20	4.75	75757-0163	16.09	3.05	75757-0164	13.35	3.05	21.0	17.50
	2	75757-0261			75757-0262			75757-0263			75757-0264				
	3	75757-0361			75757-0362			75757-0363			75757-0364				
	4	75757-0461			75757-0462			75757-0463			75757-0464				

<b>ADDED TOOL STATUS</b> EC NO: UCP2013-0263 DRW: DRWINDROSCA 2012/07/19 CHKD: APPR: JCOMERCI 2012/12/21 REV:	QUALITY SYMBOLS ▽=0 ▽=0	GENERAL TOLERANCES (UNLESS SPECIFIED) mm INCH 4 PLACES ± --- ± --- 3 PLACES ± --- ± --- 2 PLACES ± 0.13 ± --- 1 PLACE ± 0.25 ± --- ANGULAR ± 1/2°	DIMENSION STYLE <b>MM ONLY</b> DRAWN BY DATE TMCCLELL 1/24/06 CHECKED BY DATE TMCCLELL 1/24/06 APPROVED BY DATE BANAKI S 1/24/06	SCALE 4:1 DESIGN UNITS METRIC THIRD ANGLE PROJECTION
	DRAFT WHERE APPLICABLE MUST REMAIN WITHIN DIMENSIONS			
	MATERIAL NO. SEE CHART DOCUMENT NO. SD-75757-010 SHEET NO. 1 OF 1			
	THIS DRAWING CONTAINS INFORMATION THAT IS PROPRIETARY TO MOLEX INCORPORATED AND SHOULD NOT BE USED WITHOUT WRITTEN PERMISSION			



RECOMMENDED PCB LAYOUT

NOTES:

1. TERMINAL MAT'L: ALLOY C26000, CARTRIDGE BRASS
2. WAFER MAT'L: 30% GLASS FILLED LCP, 94V-0, COLOR BLACK.
3. TERMINAL PLATING: 1.54μm MIN MATTE TIN OVERALL OVER 1.254μm NICKEL OVERALL
4. HEADER ASSEMBLIES ARE TUBE PACKAGED PER PK-75757-9910.
5. COMPLIES WITH USCAR 1.5mm TERMINAL BLADE SPECIFICATION.

INITIAL RELEASE EC NO: UCP2012-3329 DRW: DROSCA 2012/04/13 CHK: DROSCA 2012/04/16 APP: JCOMERC I 2012/05/09	QUALITY SYMBOLS ▽=0 ▽=0	GENERAL TOLERANCES (UNLESS SPECIFIED)		DIMENSION STYLE <b>MM ONLY</b>	SCALE 4:1	DESIGN UNITS METRIC	THIRD ANGLE PROJECTION	
		4 PLACES ± --- ± ---	3 PLACES ± --- ± ---	DRAWN BY DATE DROSCA 2012/04/13	TITLE <b>MX150 SINGLE ROW 1X4 VERTICAL HEADER ASSEMBLY</b>			
1	REV I	2 PLACES ± 0.13 ± ---	1 PLACE ± 0.25 ± ---	CHECKED BY DATE DROSCA 2012/04/16	APPROVED BY DATE JCOMERC I 2012/05/09			
		ANGULAR ± 1/2°		MATERIAL NO. <b>757570444</b>	DOCUMENT NO. <b>SD-75757-0444</b>	SHEET NO. 1 OF 1		
DRAFT WHERE APPLICABLE MUST REMAIN WITHIN DIMENSIONS				SIZE C	THIS DRAWING CONTAINS INFORMATION THAT IS PROPRIETARY TO MOLEX INCORPORATED AND SHOULD NOT BE USED WITHOUT WRITTEN PERMISSION			