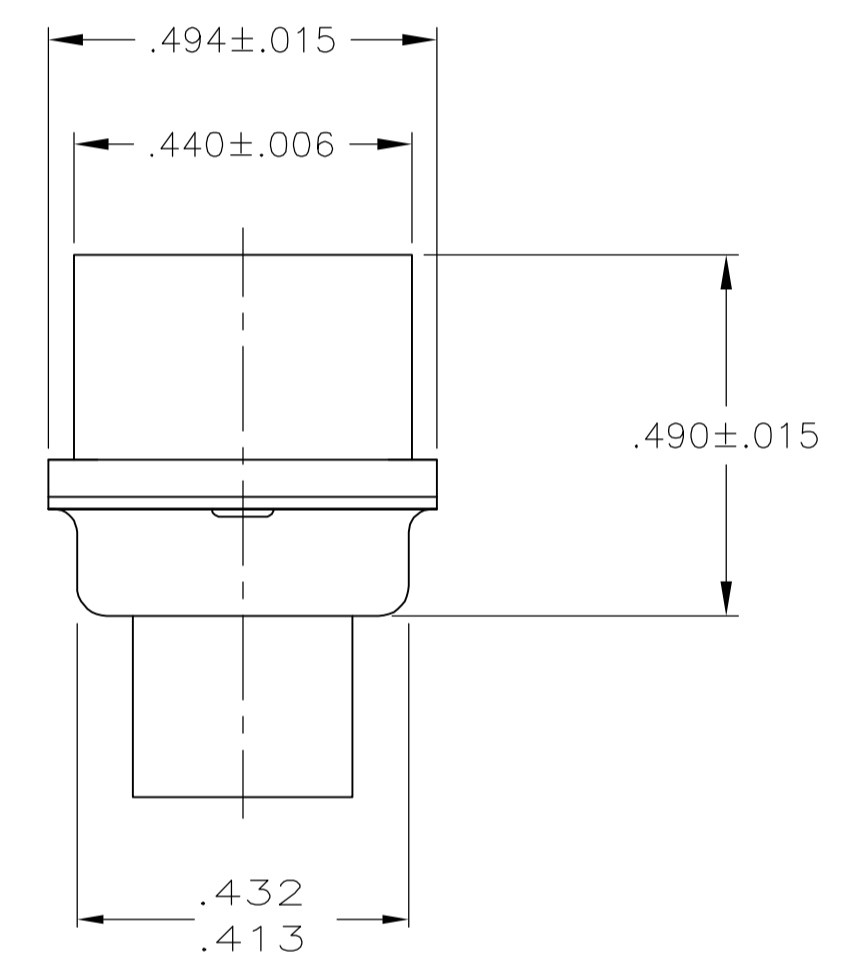
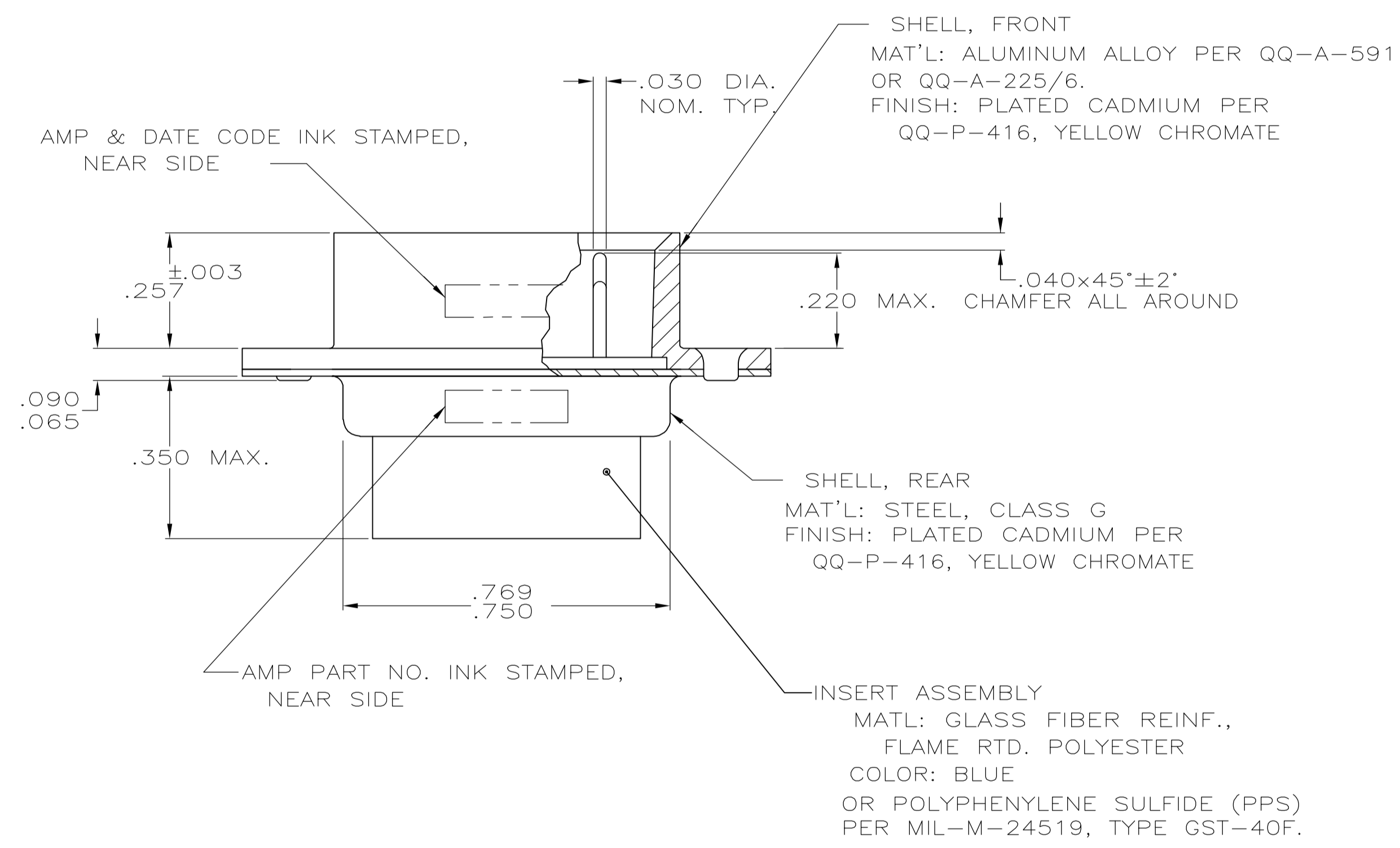
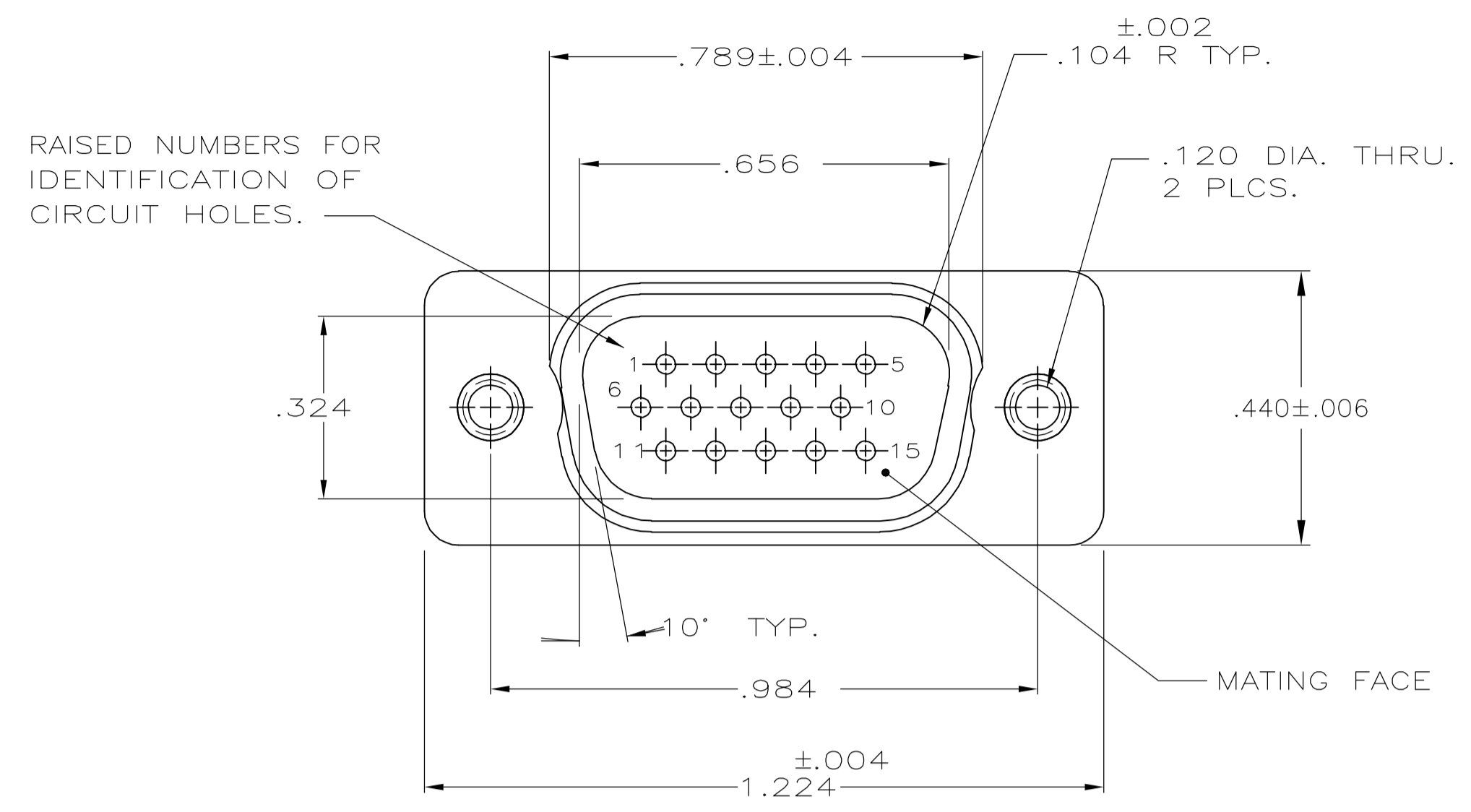


LOC		DIST		REVISIONS			
DF	DO	REV	PER	DESCRIPTION	DATE	BY	APPV
M		REV	PER	EC 0H14-0277-05	4JAN06	BL	CCT



1. THIS PLUG WILL MATE WITH ANY 15 POSN., SIZE 1 RECEPTACLE IN AMPLIMITE SERIES.
2. MAXIMUM WIRE INSULATION TO BE USED WITH THIS PLUG IS .054 DIA.
3. SST RETENTION CLIPS ARE INCLUDED IN INSERTS.
4. THIS PLUG IS DESIGNED TO CONFORM TO THE LATEST ISSUE OF MIL-C-24308.
5. CONNECTOR SUPPLIED WITHOUT CONTACTS; SHOWN FOR ILLUSTRATION ONLY.
6. THIS PLUG WILL ACCEPT SIZE 22 DM PIN CONTACT M39029/58-22-22D OR ANY AMP SIZE 22 DF PIN CONTACT.

213153-1
PART NUMBER

THIS DRAWING IS A CONTROLLED DOCUMENT.		DIN D.D.ERDMAN 10-17-85	 Tyco Electronics Corporation Harrisburg, PA 17105-3608
DIMENSIONS: INCHES		CHK F.C.BALLEW III 10-25-85	
TOLERANCES UNLESS OTHERWISE SPECIFIED:		APVD	NAME
0 PLC ± -		PRODUCT SPEC	
1 PLC ± -		APPLICATION SPEC	
2 PLC ± -		SIZE	CAGE CODE
3 PLC ± .005		A1	00779
4 PLC ± -		DRAWING NO	
ANGLES ± ± -		RESTRICTED TO	
MATERIAL SEE CALLOUT		WEIGHT	—
FINISH SEE CALLOUT		CUSTOMER DRAWING	
		SCALE	1:1
		SHEET	1 OF 1
		REV	M