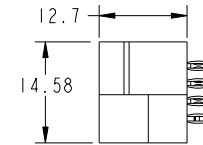
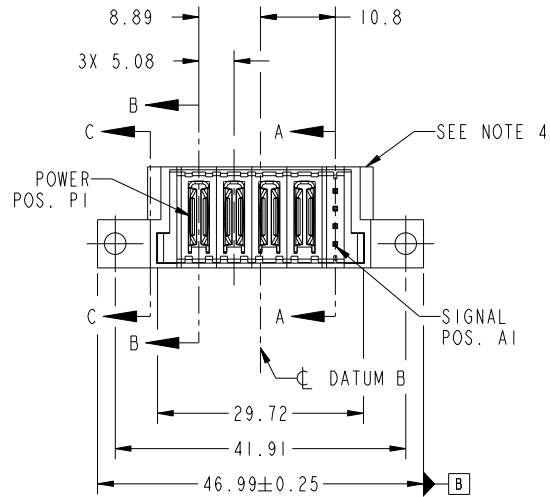


Tous droits strictement reserves. Reproduction ou communication a des tiers interdite sous quelque forme que ce soit sans autorisation écrite du propriétaire. Propriete de c FCI. Droits de reproduction FCI.



All rights strictly reserved. Reproduction or issue to third parties in any form whatever is not permitted without written authority from the proprietor. Property of FCI. Copyright FCI.

PRODUCT NO. 51963-040 NOTE ③	ROWS D C B A	POWER				SIG	
		E1	P1	P2	P3	P4	1



CODE	DIM "M" MATING LENGTH	CONTACT TYPE
PC	[N/A]	POWER
G	[6.86]	SIGNAL
HA	[N/A]	HOLD-DOWN

mat'l code				tolerances unless otherwise specified		CUSTOMER		FCI	
lfr	ecn no.	dr	date	linear	0.X ±0.5	COPY		www.fciconnect.com	
A	DG09-0214	WD	07/03/09	angles	0.XX ±0.25	projection		title 4P + 4S VERTICAL PRESS-FIT HEADER	
					0.XXX ±0.1	MIM		product family PwrBlade code 213	
				dr	0° ±2°	← MIM →		size dwg no 51963-040 sheet 1 of 4	
				enrg	Warren Du 06/28/09	scale 1:1			
				chr	Warren Du 07/03/09				
				appd	PM ZHENG 06/28/09				
					JOSEPH HSIA 06/28/09				
sheet index	revision sheet	A	A	A	A				
		1	2	3	4				

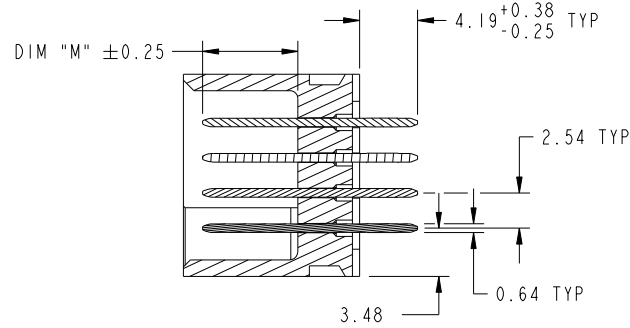
cage code 22526

Tous droits strictement reserves. Reproduction ou communication a des tiers interdite sous quelque forme que ce soit sans autorisation ecrite du proprietaire. Propriete de c FCI. Droits de reproduction FCI.

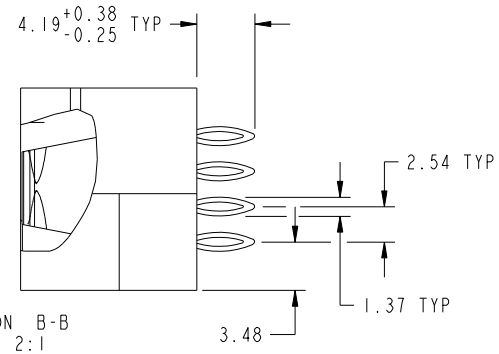
All rights strictly reserved. Reproduction or issue to third parties in any form whatever is not permitted without written authority from the proprietor. Property of FCI. Copyright FCI.



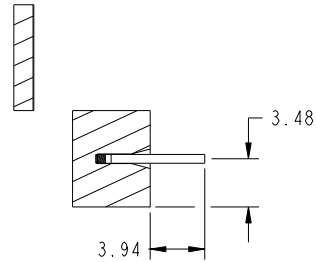
PRODUCT NUMBER
51963-040__
NOTE 3



SECTION A-A
SCALE 2:1



SECTION B-B
SCALE 2:1



SECTION C-C
SCALE 2:1

mat'l code				tolerances unless otherwise specified			CUSTOMER		FCI	
ltr	ecn no.	dr	date	linear	0.X ±0.5	COPY		www.fciconnect.com		
A					0.XX ±0.25	projection		title 4P + 4S		
				angles	0.XXX ±0.1			VERTICAL PRESS-FIT HEADER		
				dr	0° ±2°			product family PwrBlade		code
				enr	Warren Du 06/28/09	scale		size		213
				chr	Warren Du 07/03/09	1:1		dwg no		sheet
				appd	PM ZHENG 06/28/09			A 51963-040		2 of 4
					JOSEPH HSIA 06/28/09					
sheet index	revision sheet									

cage code 22526

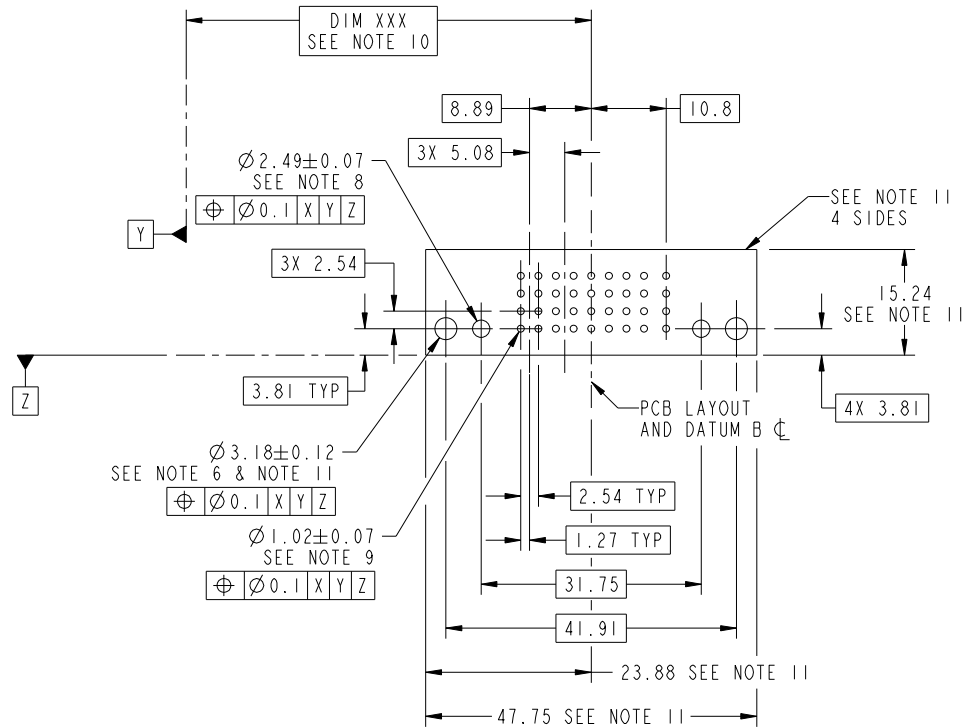
Pro/E

Tous droits strictement reserves. Reproduction ou communication a des tiers interdite sous quelque forme que ce soit sans autorisation ecrite du proprietaire. Propriete de c FCI. Droits de reproduction FCI.



All rights strictly reserved. Reproduction or issue to third parties in any form whatever is not permitted without written authority from the proprietor. Property of FCI. Copyright FCI.

PRODUCT NUMBER
51963-040__
NOTE 3



RECOMMENDED PCB LAYOUT

mat'l code				tolerances unless otherwise specified		CUSTOMER			
ltr	ecn no.	dr	date	linear	0.X ± 0.5	COPY		www.fciconnect.com	
A					0.XX ± 0.25	projection	title		
					0.XXX ± 0.1		4P + 4S VERTICAL PRESS-FIT HEADER		
				angles	0° ± 2°			product family PwrBlade code	
		dr	Warren Du	06/28/09		MIM		size	
		enr	Warren Du	07/03/09		← MIM →		dwg no	
		chr	PM ZHENG	06/28/09		scale		213	
		appd	JOSEPH HSIA	06/28/09		1:1		sheet	
sheet index		revision sheet						3 of 4	
								3 of 4	

cage code 22526

Pro/E

Tous droits strictement reserves. Reproduction ou communication a des tiers interdite sous quelque forme que ce soit sans autorisation écrite du propriétaire. Propriete de c FCI. Droits de reproduction FCI.



All rights strictly reserved. Reproduction or issue to third parties in any form whatever is not permitted without written authority from the proprietor. Property of FCI. Copyright FCI.

PRODUCT NUMBER
51963-040--
NOTE 3

NOTES:

1. DIMENSIONS AND TOLERANCES ARE IN ACCORDANCE WITH ASME Y14.5M, 1994 UNLESS OTHERWISE SPECIFIED.

CONNECTOR NOTES:

- 2 HOUSING MATERIAL: UL 94 V-0 GLASS FILLED HIGH-TEMP THERMOPLASTIC
POWER CONTACT MATERIAL: COPPER ALLOY
SIGNAL PIN MATERIAL: COPPER ALLOY
- 3. SEE ITEM 3 & 4 IN PRINT 10064183 FOR PLATING SPEC OF 51963-040 AND 51963-040LF RESPECTIVELY.
- 4 MANUFACTURER'S NAME, P/N, AND DATE CODE TO APPEAR ON THIS SURFACE.
- 5. PRODUCT SPECIFICATION GS-12-149.
APPLICATION SPECIFICATION BUS-20-067.
- 6. PACKAGED IN TRAYS.

PCB NOTES:

- 7. ALL HOLE DIAMETERS ARE FINISHED HOLE SIZE.
- 8. MOUNTING HOLES, WHERE APPLICABLE, ARE UNPLATED.

9 $\varnothing 1.151 \pm 0.025$ DRILLED HOLES PLATED WITH
0.008 MIN SnPb OR Sn OVER .001 [0.03]
TO 0.08 Cu PLATING TO ACHIEVE
 $\varnothing 1.02 \pm .07$ HOLE.

10 "DIM XXX" TO BE DETERMINED BY THE CUSTOMER.

11 CONNECTOR KEEP-OUT ZONE.

12. FOR PRESS FIT APPLICATION USE FCI CAM TOOL 430169-XXX.

mat'l code				tolerances unless otherwise specified		CUSTOMER		FCI	
ltr	ecn no.	dr	date	linear	0.X ± 0.5	COPY		www.fciconnect.com	
A					0.XX ± 0.25	projection		title 4P + 4S	
				angles	0.XXX ± 0.1			VERTICAL PRESS-FIT HEADER	
				dr	0° + 2°	MIM		product family	PwrBlade
				enr	Warren Du 06/28/09			size	code
				enr	Warren Du 07/03/09	scale		dwg no	213
				chr	PM ZHENG 06/28/09	1:1		A	51963-040
				appd	JOSEPH HSIA 06/28/09				
sheet index	revision sheet								

cage code 22526