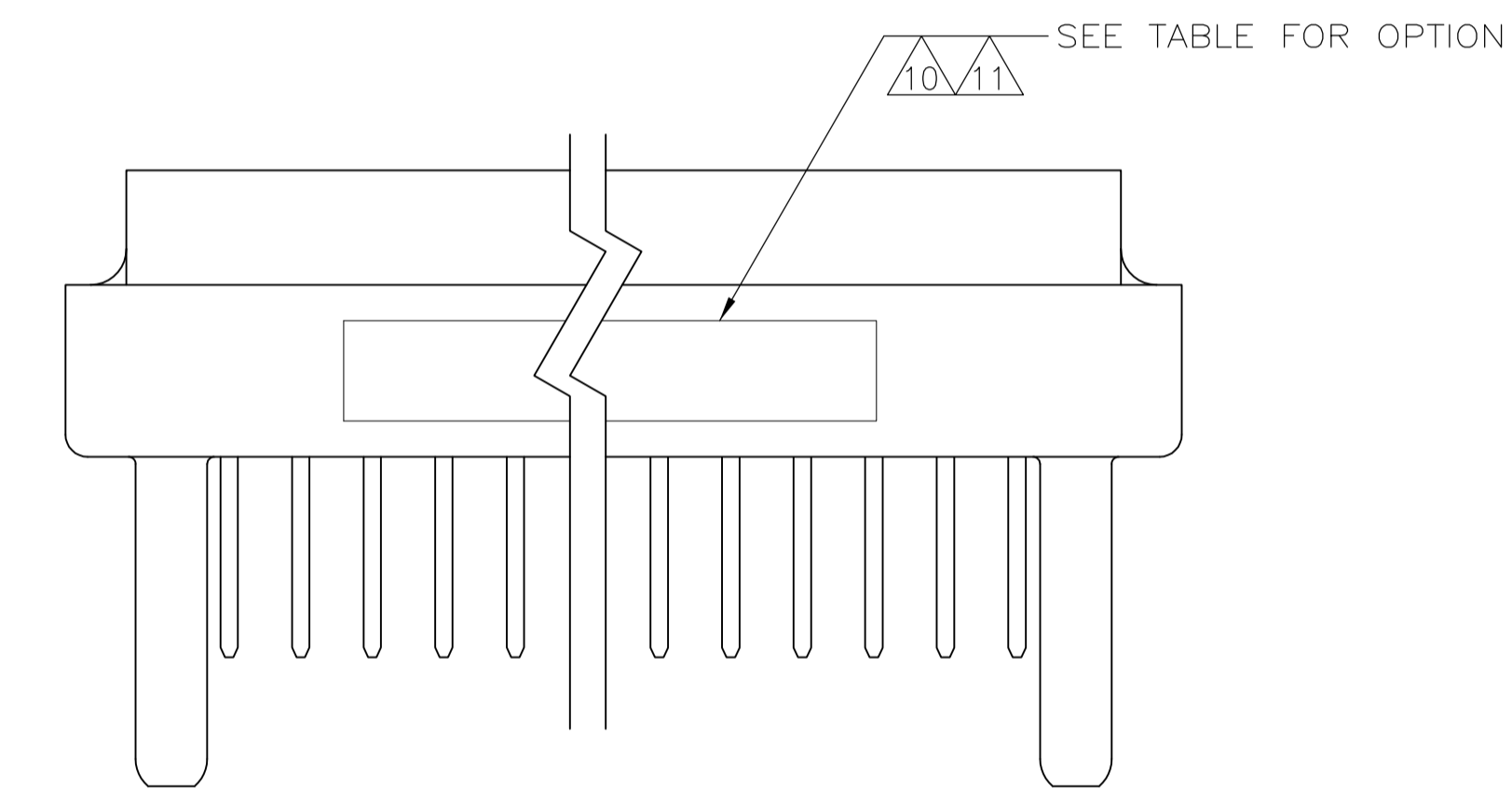
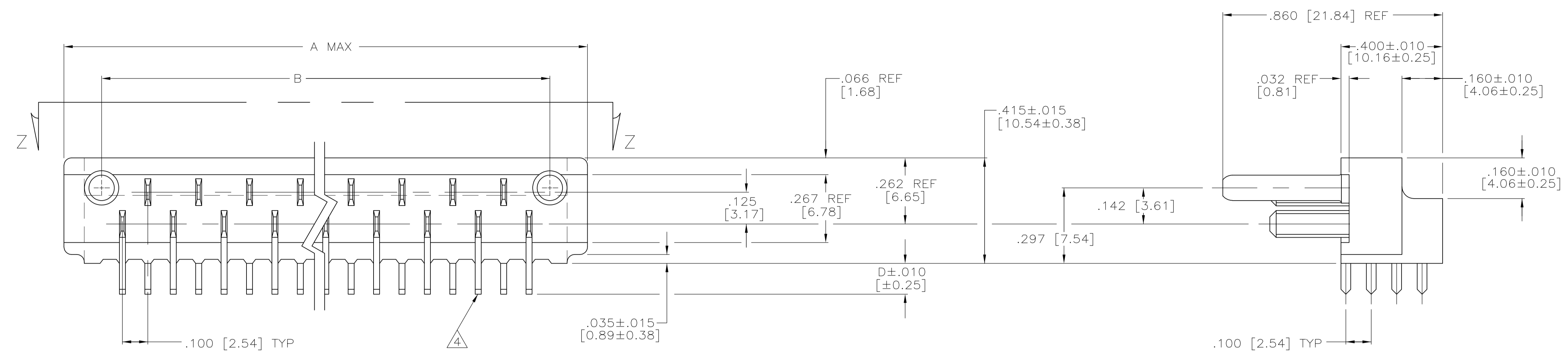


10	BAC 17-12049-11	.0625	-	.120	-	4.764	5.070	47	4-582843-5
10	BAC 17-12049-9	.0625	-	.120	-	4.164	4.470	41	4-582843-4
10	BAC 17-12049-7	.0625	-	.120	-	3.564	3.870	35	4-582843-3
10	BAC 17-12049-5	.0625	-	.120	-	2.964	3.270	29	4-582843-2
10	BAC 17-12049-3	.0625	-	.120	-	2.364	2.670	23	4-582843-1
10	BAC 17-12049-1	.0625	-	.120	-	1.764	2.070	17	4-582843-0
10		.125	-	.183	-	4.764	5.070	47	3-582843-6
		.125	-	.183	-	4.164	4.470	41	3-582843-5
		.125	-	.183	-	3.564	3.870	35	3-582843-4
		.125	-	.183	-	2.964	3.270	29	3-582843-3
		.125	-	.183	-	2.364	2.670	23	3-582843-2
		.125	-	.183	-	1.764	2.070	17	3-582843-1
		.125	.381	.183	5.363	4.764	5.623	47	3-582843-0
		.125	.265	.183	4.530	4.164	4.790	41	2-582843-9
		.125	.265	.183	3.930	3.564	4.190	35	2-582843-8
		.125	.265	.183	3.330	2.964	3.590	29	2-582843-7
		.125	.265	.183	2.730	2.364	2.990	23	2-582843-6
		.125	.265	.183	2.130	1.764	2.390	17	2-582843-5
		.0937	-	.152	-	4.764	5.070	47	2-582843-4
		.0937	-	.152	-	4.164	4.470	41	2-582843-3
		.0937	-	.152	-	3.564	3.870	35	2-582843-2
		.0937	-	.152	-	2.964	3.270	29	2-582843-1
		.0937	-	.152	-	2.364	2.670	23	2-582843-0
		.0937	-	.152	-	1.764	2.070	17	1-582843-9
		.0937	.381	.152	5.363	4.764	5.623	47	1-582843-8
		.0937	.265	.152	4.530	4.164	4.790	41	1-582843-7
		.0937	.265	.152	3.930	3.564	4.190	35	1-582843-6
		.0937	.265	.152	3.330	2.964	3.590	29	1-582843-5
		.0937	.265	.152	2.730	2.364	2.990	23	1-582843-4
		.0625	-	.120	-	4.764	5.070	47	1-582843-3
		.0625	-	.120	-	4.164	4.470	41	1-582843-2
		.0625	-	.120	-	3.564	3.870	35	1-582843-1
		.0625	-	.120	-	2.964	3.270	29	1-582843-0
		.0625	-	.120	-	2.364	2.670	23	582843-9
		.0625	-	.120	-	1.764	2.070	17	582843-8
		.0625	.381	.120	5.363	4.764	5.623	47	582843-7
		.0625	.265	.120	4.530	4.164	4.790	41	582843-6
		.0625	.265	.120	3.930	3.564	4.190	35	582843-5
		.0625	.265	.120	3.330	2.964	3.590	29	582843-4
		.0625	.265	.120	2.730	2.364	2.990	23	582843-3
		.0625	.265	.120	2.130	1.764	2.390	17	582843-2
		.0937	.265	.152	2.730	2.364	2.990	23	582843-1
	MARKING	P.C. BD. THICKNESS	E	D	C	B	A	NO. OF CONT.	PART NUMBER

RECOMMENDED P.C. BOARD LAYOUT

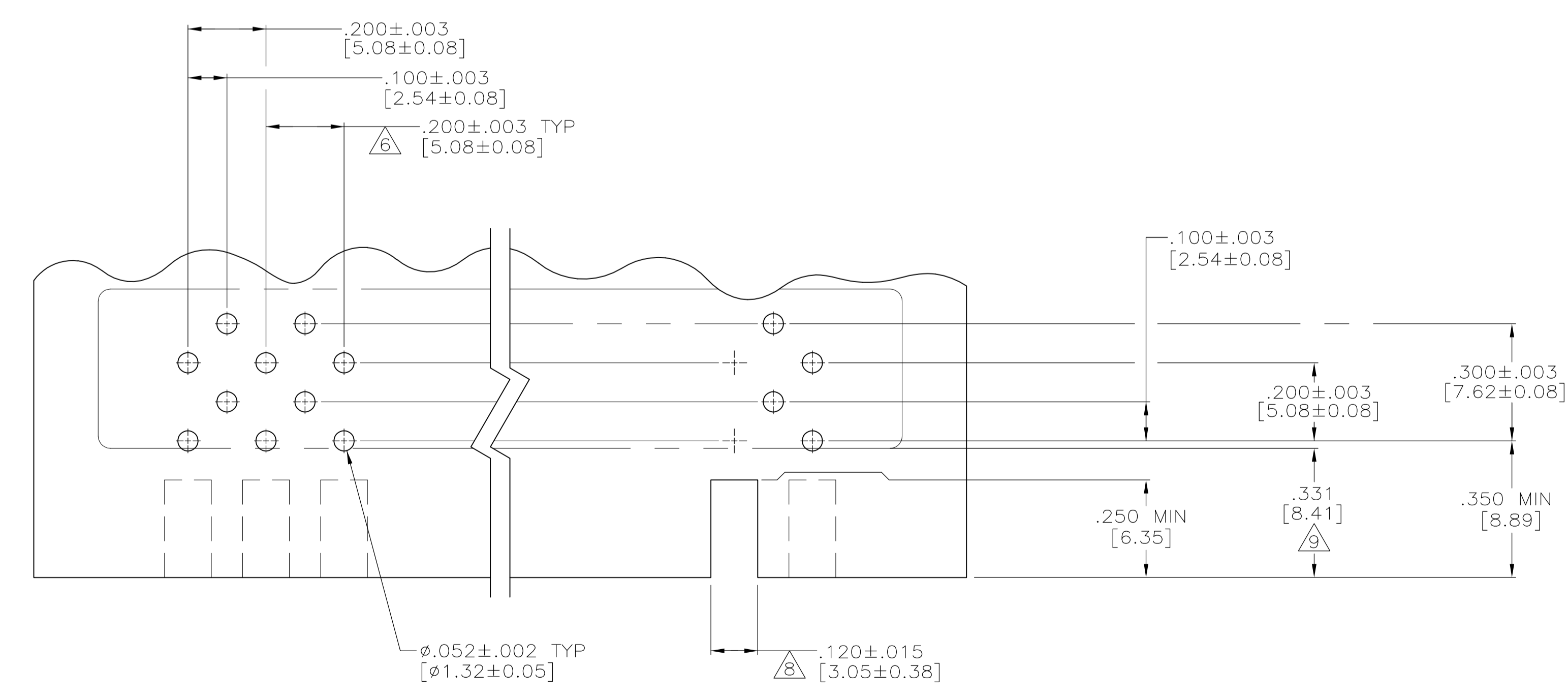
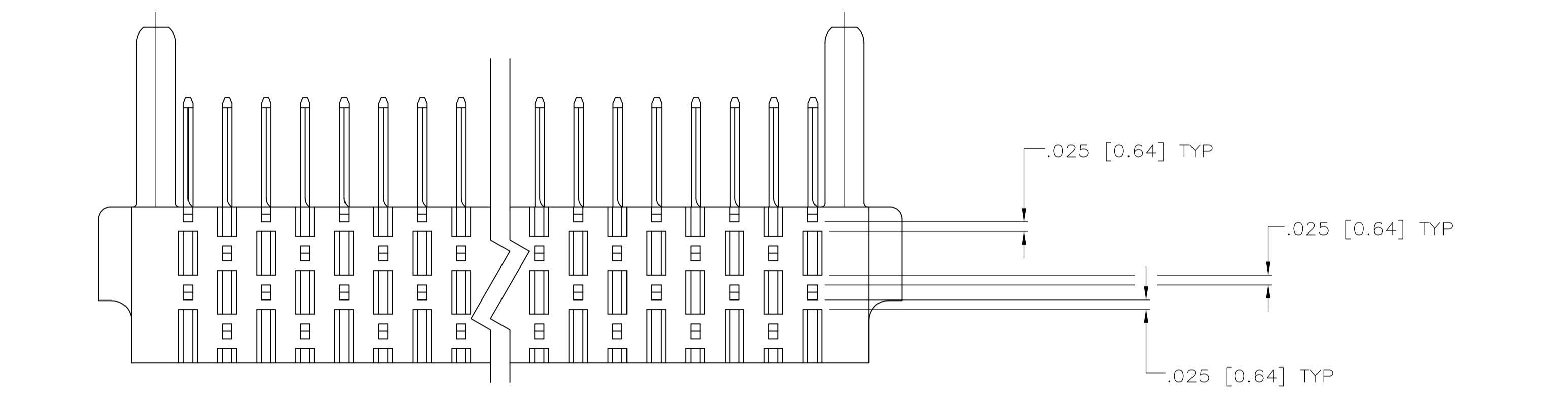
THIS DRAWING IS A CONTROLLED DOCUMENT.

DIMENSIONS: INCHES	TOLERANCES UNLESS OTHERWISE SPECIFIED:	DIN T. ALEXANDER 05-JUN-95	STE TE Connectivity
0 PLC ± -	1 PLC ± -	CHK J. WARNER 23-AUG-95	ASSEMBLY, AMP BLADE TAB HOUSING
2 PLC ± -	3 PLC ± .005 [0.13]	APVD J. WARNER 23-AUG-95	PRODUCT SPEC
4 PLC ± -	ANGLES ± -	APPLICATION SPEC	SIZE CASE CODE DRAWING NO
MATERIAL	FINISH	WEIGHT	A1 00779 582843
		CUSTOMER DRAWING	SCALE 4:1 SHEET 1 OF 2 REV R



VIEW Z-Z

- TAB-HOUSING ASSEMBLY MATES WITH TE CONNECTIVITY P/N 3-582151 SERIES.
  - BLADE CENTER LINE TO BE MEASURED FROM THE CENTER LINE FORMED BY THE ALIGNMENT PINS & AS LONG AS THE BLADES FALL WITHIN TOLERANCES INDICATED, THE ALLOWABLE WARPAGE IS INDEPENDENT OF THE BLADES & BECOMES A MEASUREMENT OF THE OUTSIDE SURFACE OF THE TAB-HOUSING & DOES NOT EFFECT THE MATING OF THIS TAB-HOUSING WITH 582151.
- ③ MOUNTING HOLES.
  - ④ POST TO BE SOLDER DIPPED. CONN. MUST MEET REQUIREMENTS OF MIL-STD-202 METHOD 208.
  - ⑤ CONTACT MATL.; GILDING METAL. GOLD OVER NICKEL.
  - ⑥ TOLERANCE NON CUMULATIVE.
  - ⑦ TAB-HOUSING MATL.; DIALLYL PHTHALATE, GLASS FILLED PER MIL-M-14, TYPE S.D.G.-F. COLOR; GREEN.
  - ⑧ CUT OUT FOR KEYING BOSS, LOCATED WHERE REQD. (OPTIONAL)
  - ⑨ FROM EDGE OF P.C. BOARD TO FACE OF TAB-HOUSING.
  - ⑩ TE CONNECTIVITY P/N NOT TO BE MARKED ON PART. CAGE CODE #00779, DATE CODE, & CUSTOMER P/N TO BE MARKED ON PART, SEE TABLE.
  - ⑪ TE CONNECTIVITY PART NUMBER, DATE CODE AND MILITARY PART NUMBER .062 HIGH, MARKED THIS AREA AND ALL EVEN NUMBERED CONTACTS MARKED THIS AREA.
  - ⑫ "D" DIMENSION APPLIES TO CONTACT ONLY PRIOR TO SOLDER DIPPING.



RECOMMENDED P.C. BOARD LAYOUT

THIS DRAWING IS A CONTROLLED DOCUMENT.		DIN T.ALEXANDER 05-JUN-95		TE Connectivity	
		CHK J.WARNER 23-AUG-95			
DIMENSIONS: INCHES		TOLERANCES UNLESS OTHERWISE SPECIFIED:		NAME ASSEMBLY, AMP BLADE TAB HOUSING	
0 PLC ± - 1 PLC ± - 2 PLC ± - 3 PLC ± .005 [0.13] 4 PLC ± - ANGLES ± -		APVD J.WARNER 23-AUG-95 PRODUCT SPEC APPLICATION SPEC		SIZE CAGE CODE DRAWING NO. RESTRICTED TO	
MATERIAL - FINISH -		WEIGHT -		A1 00779 582843	
		CUSTOMER DRAWING		SCALE 4:1 SHEET 2 OF 2 REV R	