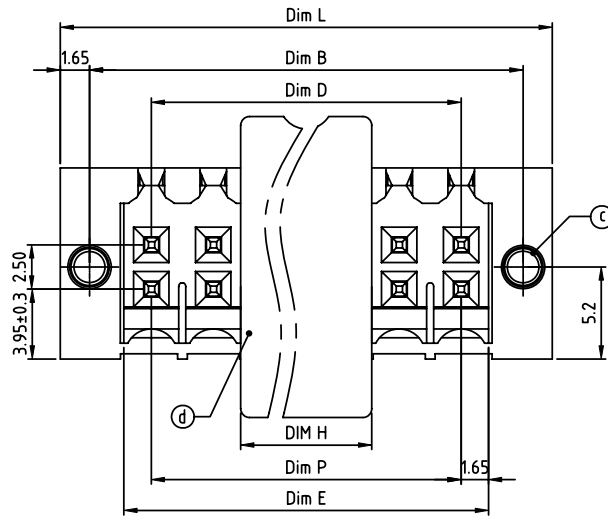
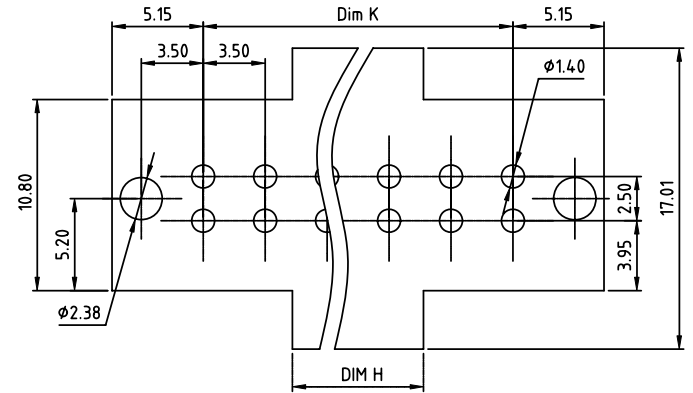


PRODUCT NUMBER	PITCH
VXxx1200B0J0G	3.50 mm



Cover:

POLES	2P	3P
DIM H	7.40	10.90



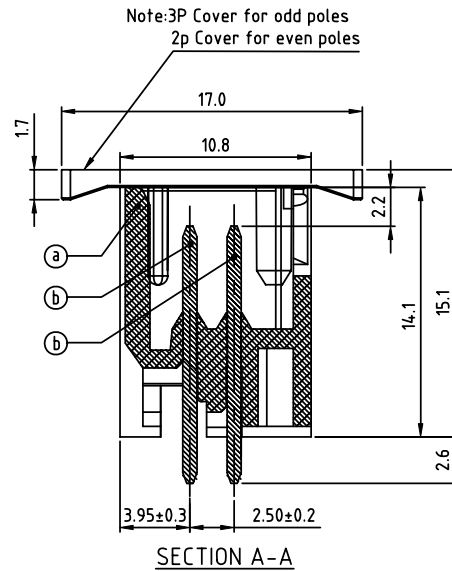
RECOMMENDED P.C.B LAYOUT
TOP VIEW

Material:

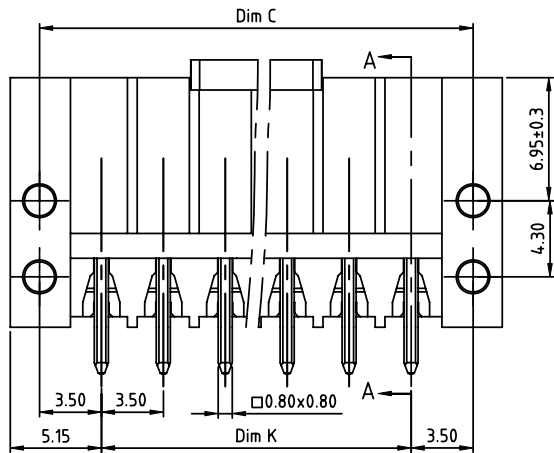
- Item (a) Terminal housing: High temp. polyamide (UL94V-0)
- Item (b) Pin: Brass, Tin plated
- Item (c) With flange nut: Brass, Nickel plated, M2.0
- Item (d) With cover: High temp. polyamide (UL94V-0)

Electrical: cULus

- Voltage rating: 150V
- Current rating: 7A
- Withstanding Voltage: 1.3KV
- Operating temperature: -40°C to +115°C
- Soldering temperature: 260°C/10 Sec max
- Safety Approval:



SECTION A-A



Dim L=(N/2-1)×3.5+10.3
Dim P=(N/2-1)×3.5
Dim K=(N/2-1)×3.5
Dim B=(N/2-1)×3.5+7.0
Dim C=(N/2-1)×3.5+7.0
Dim D=(N/2-1)×3.5
Dim E=(N/2-1)×3.5+3.3

N=Number of poles

Poles	Dim L	Dim P	Dim K	Dim B	Dim C	Dim D	Dim E
2x2p-2x6p	±0.15	±0.10	±0.10	±0.15	±0.15	±0.10	±0.15
2x7p-2x12p	±0.25	±0.20	±0.20	±0.25	±0.25	±0.20	±0.25
2x13p-2x16p	±0.35	±0.30	±0.30	±0.35	±0.35	±0.30	±0.35

PART NO.: VX xx 12 0 0 B0J0 G

Solid block
No. of poles
04 2x2 poles
06 2x3 poles
...
32 2x16 poles

Color
0 Black (RAL9005)

RoHS compliant
(lead<4%)
In copper Alloy

mat'l. code	surface ASME Y14.5	tolerance ASME Y14.5	projection	product family TERMINAL BLOCK
ltr	ecn	no	dr	date
tolerances unless otherwise specified				title TERMINAL BLOCK
angles	0.05	X.±0.5	MM	PLUGGABLE SOCKET, VERTICAL, WITH FLANGE, THR
X*±1"	0.1	X.X±0.3	scale	sheet 1 of 1 size
dr	EVIN ZHONG	050814		dwg no VXxx1200B0J0G
enr	EVIN ZHONG	050814		A4
chr	HANKE FENG	050814		type CUSTOMER Drawing
appd	SHI JUN	050814		
sheet index	revision	A		
	sheet	1		