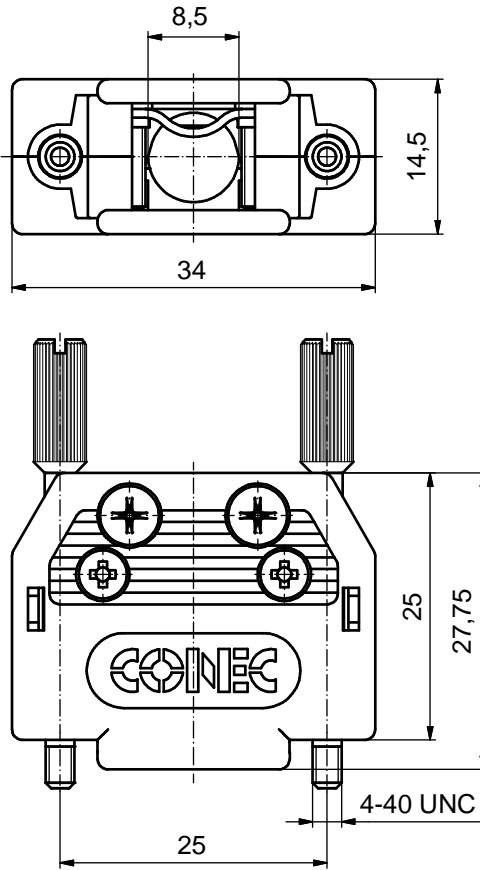


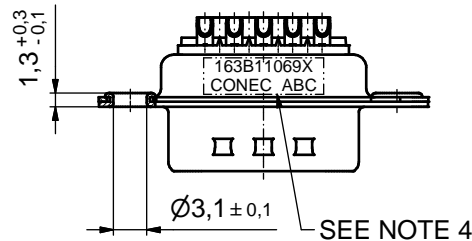
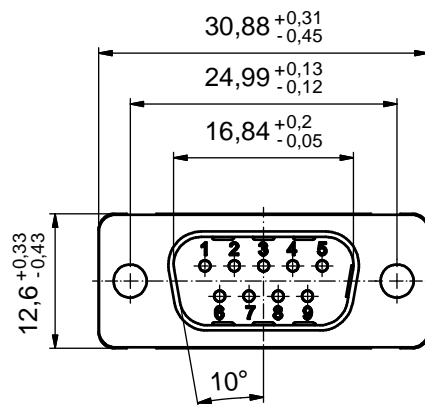
165X10909X



NOTES:

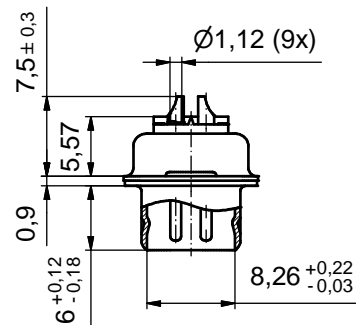
1. HOOD + COVER: ABS V0; METALLIZED
2. SCREWS: BRASS; NICKEL PLATED
3. CABLE CLAMP: STEEL; NICKEL PLATED

163B11069X



NOTES:

1. METALSHELLS: STEEL; min. 315µm TIN over 40-80µm NICKEL
2. INSULATORS: PBT GF UL 94 V-0; BLACK
3. CONTACTS: COPPER ALLOY  
PLATING: 20µm HARD GOLD over min. 50µm NICKEL  
SOLDER CUP ACCEPTS CABLE AWG 20
4. CONNECTOR IS PART MARKED: 163B11069X CONEC ABC



**KIT CONSISTS OF:**  
1 x 165X10909X  
1 x 163B11069X

Directive 2002/95/EC RoHS compliant

THIS DRAWING MAY NOT BE COPIED OR REPRODUCED IN ANY WAY, AND MAY NOT BE PASSED ON TO A THIRD PARTY WITHOUT WRITTEN PERMISSION. OWNERSHIP AND COPYRIGHT OF CONEC GmbH

DO NOT ALTER CAD DRAWING BY HAND

Customer Specific Product			
rev.	description	date	name
a	Original		

tolerance		dim. in mm	
date	name	date	name
25.09.13	Lehmenkühler		
26.09.13	Fischer		

scale: 2:1	
material: SEE DRAWING	
title: <b>KIT</b> with PLASTIC HOOD and D-SUB MALE	
dwg no: 16K1A3306	DIN-A3
part no: 16-507512	
sh: 1	

