

NOTES:

1.MATERIAL:

HOUSING: POLYAMIDE, GLASS FIBER FILLED, UL94-0,COLOR BLACK
 INSERT: POLYAMIDE, GLASS FIBER FILLED, UL94-0,COLOR BLACK
 TERMINAL: PHOSPHOR BRONZE

2.PLATING:

TERMINAL:
 CONTACT AREA: GOLD(Au),THICKNESS=50 MICROINCH/1.27 MICROMETER
 SOLDER TAIL: TIN(Sn),THICKNESS=100 MICROINCH MINIMUM
 UNDER PLATE: NICKEL (Ni).

3.RECOMMENDED PCB THICKNESS: 1.60±0.05

4.PRODUCT SPECIFICATION REFER TO PS-48025-005

5.TEST SUMMARY REFER TO TS-48025-010

6.PACKAGING SPECIFICATION REFER TO PK-48025-001

7.LEAD FREE AND RoHS COMPLIANT PRODUCT.

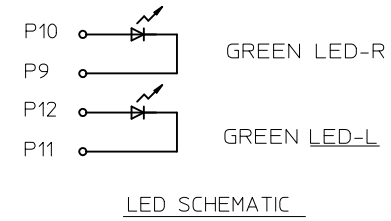
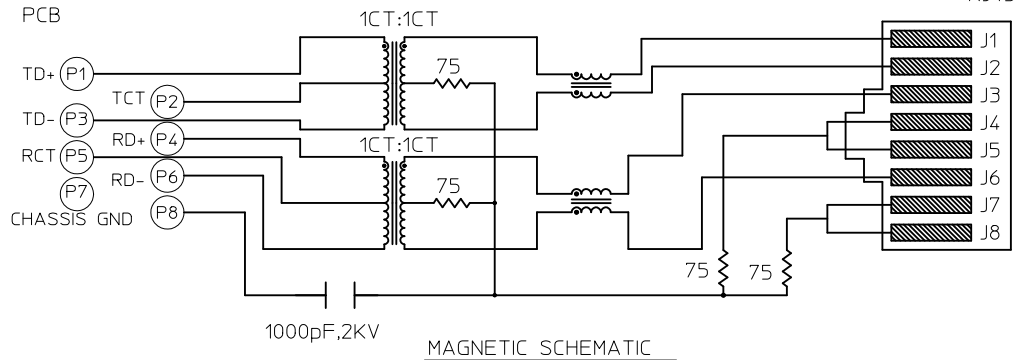
RELEASED EC NO: SH2012-0381 DRWNR: L109 2012/05/14 CHKD: APPR: RZHANG 2012/06/22	QUALITY SYMBOLS ▽=0 ▽=0	GENERAL TOLERANCES (UNLESS SPECIFIED)		DIMENSION STYLE MM ONLY	SCALE 1:1	DESIGN UNITS METRIC	THIRD ANGLE PROJECTION	
				DRAWN BY LINDA	DATE 2006/08/08	TITLE MODULAR JACK WITH LED, INTEGRATED MAGNETICS WITHOUT GROUND SHIELD		
				CHECKED BY ALLEN LIN	DATE 2006/08/10			
				APPROVED BY ERICK LAN	DATE 2006/08/10			
				MATERIAL NO. 48025-2090	DOCUMENT NO. SD-48025-010	SHEET NO. 1 OF 2		
		DRAFT WHERE APPLICABLE MUST REMAIN WITHIN DIMENSIONS		SIZE A3	THIS DRAWING CONTAINS INFORMATION THAT IS PROPRIETARY TO MOLEX INCORPORATED AND SHOULD NOT BE USED WITHOUT WRITTEN PERMISSION			

MAGNETIC ELECTRICAL SPECIFICATIONS:

- 1.0 TURNS RATIO:(P4-P5-P6):(J3-J6):1CT:1CT
(P3-P2-P1):(J1-J2):1CT:1CT
- 2.0 INDUCTANCE:(P4-P6):350uH MIN. @0.1V,100KHz,8mA DC Bias.
(P3-P1):350uH MIN. @0.1V,100KHz,8mA DC Bias.
- 3.0 LEAKAGE INDUCTANCE:P6-P5-P4(WITH J6 AND J3 SHORT):0.3 MAX.@1MHZ.
P3-P2-P1(WITH J2 AND J1 SHORT):0.3 MAX.@1MHZ.
- 4.0 INTERWINDING CAPACITANCE:(P6,P5,P4) TO (J6,J3):30pf MAX @1MHZ.
(P3,P2,P1) TO (J2,J1):30pf MAX @1MHZ.
- 5.0 DC RESISTANCE:(J6-J3)=(J2-J1):1.3 ohms Max.
- 6.0 RETURN LOSS:(P4-P6)(P1-P3)
1MHz TO 30MHz:18dB min.
30MHz TO 80MHz:12dB min.
NOTE:100 OHMS CONNECTED TO (J2-J1) OR (J3-J6).
- 7.0 HI-POT:(J1,J2) TO (P1,P3):1500 VAC OR 2250 VDC.
(J3,J6) TO (P4,P6):1500 VAC OR 2250 VDC.
- 8.0 INSERTION LOSS:1 dB MAX.
100KHz TO 100MHz.
- 9.0 CROSS TALK:1-100 MHz:30 dB MIN.
- 10.0 COMMON TO COMMON MODE REJECTION:1MHz TO 100MHz:35 dB MIN.

LED ELECTRICAL SPECIFICATION

PARAMETER	GREEN (TYP.)	UNITS	TEST CONDITIONS
POWER DISSIPATION	105	mW	
REVERSE VOLTAGE	5	V	
PEAK WAVELENGTH	565	nm	IF=20mA
FORWARD VOLTAGE	2.2 MAX.=2.5	V	IF=20mA



RELEASED IEC NO: SH2012-0381 DRWNR: L109 2012/05/14 CHKD: APPR: RZHANG 2012/06/22	QUALITY SYMBOLS	GENERAL TOLERANCES (UNLESS SPECIFIED)		DIMENSION STYLE MM ONLY		SCALE 1:1	DESIGN UNITS METRIC	THIRD ANGLE PROJECTION
	▽=0 ▽=0	4 PLACES	± ---	± ---	DRAWN BY LINDA	DATE 2006/08/08	TITLE MODULAR JACK WITH LED, INTEGRATED MAGNETICS WITHOUT GROUND SHIELD molex DOCUMENT NO. SD-48025-010 SHEET NO. 2 OF 2	
		3 PLACES	± ---	± ---	CHECKED BY ALLEN LIN	DATE 2006/08/10		
		2 PLACES	± 0.25	± ---	APPROVED BY ERICK LAN	DATE 2006/08/10		
	1 PLACE	± 0.25	± ---	MATERIAL NO. 48025-2090				
		0 PLACE	±	±	DRAFT WHERE APPLICABLE MUST REMAIN WITHIN DIMENSIONS		THIS DRAWING CONTAINS INFORMATION THAT IS PROPRIETARY TO MOLEX INCORPORATED AND SHOULD NOT BE USED WITHOUT WRITTEN PERMISSION	