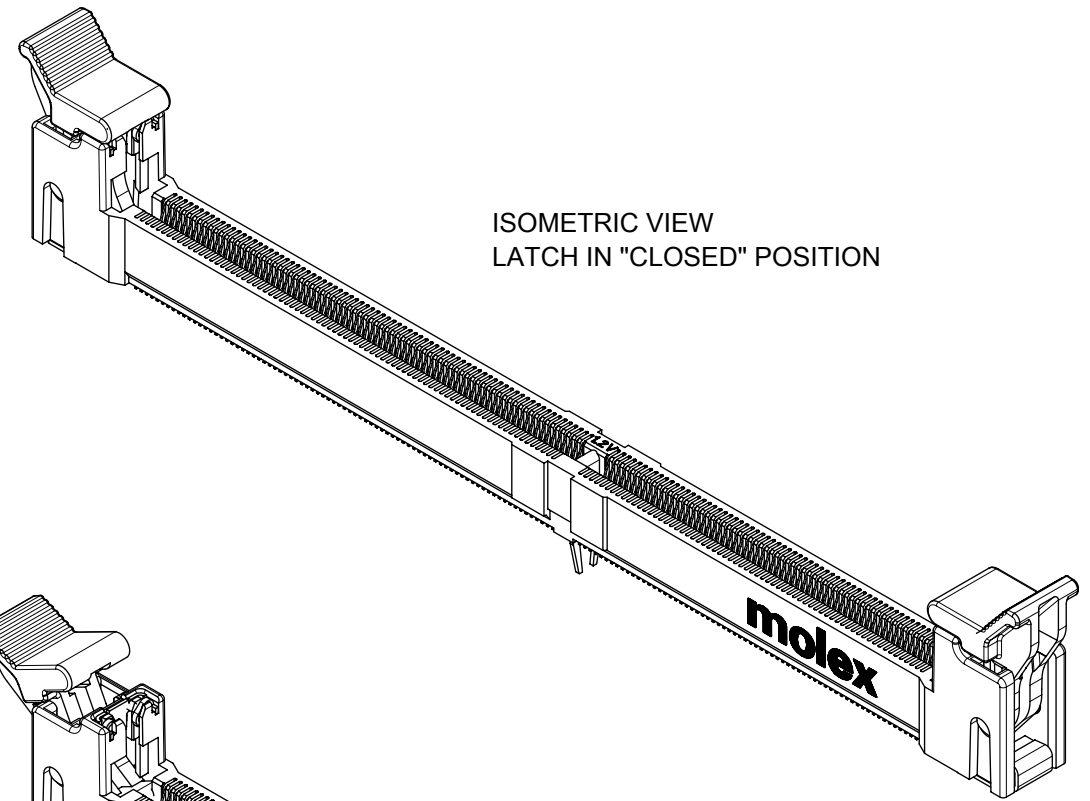
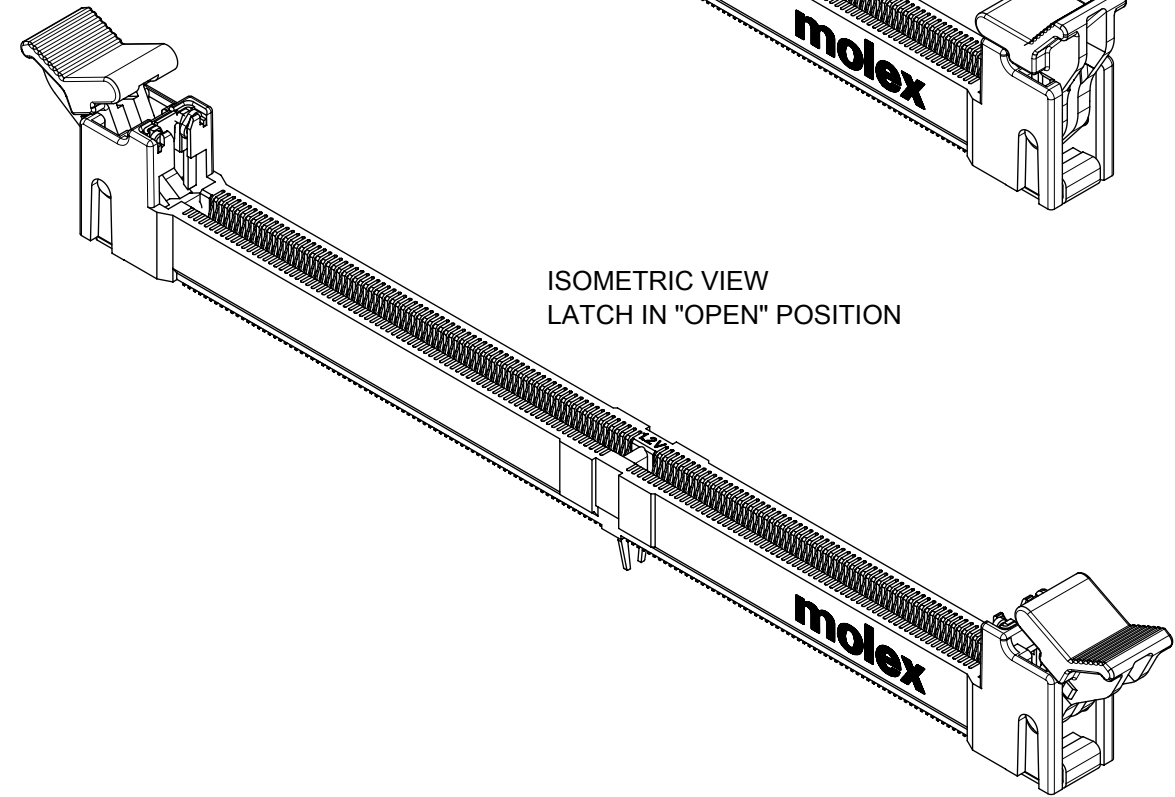


NOTES:

1. MATERIALS
 HOUSING - LIQUID CRYSTAL POLYMER (LCP), GLASS FILLED, UL94 V-0;
 COLOR: BLACK
 LATCH - POLYAMIDE (PA), GLASS FILLED, UL94 V-0;
 COLOR: NATURAL (OFF-WHITE)
 TERMINAL - COPPER ALLOY
 PCB HOLD-DOWN FEATURES - COPPER ALLOY
2. FINISHES
 CONTACT AREA - 0.76 MICROMETER (30 MICROINCH) MINIMUM GOLD OVER
 1.25 MICROMETER (50 MICROINCH) MINIMUM NICKEL
 SMT TAIL - 2.54 MICROMETER (100 MICROINCH) MINIMUM TIN OVER
 1.25 MICROMETER (50 MICROINCH) MINIMUM NICKEL
 PCB HOLD-DOWN FEATURES - 2.54 MICROMETER (100 MICROINCH) MINIMUM TIN OVER
 1.25 MICROMETER (50 MICROINCH) MINIMUM NICKEL
3. PRODUCT SPECIFICATION: SEE TABLE
4. PACKAGING SPECIFICATION: SEE TABLE
5. CARD SLOT ACCEPTS 1.40±0.10mm MODULE THICKNESS
 (MEASURED OVER P.C. PADS).
6. MOLEX LOGO, DATE & PART NO. INDICATED ON SIDE OF HOUSING
7. MODULE SEATING PLANE FROM TOP OF PCB.
8. KEEP-OUT ZONE FOR LATCH
9. KEEP-OUT AREA IS THE AREA WHERE THE CONNECTOR IS MOUNTED
 ONTO THE PCB (INCLUDING LATCH IN THE OPEN POSITION).
10. CONNECTOR APPLICATION GUIDELINE: AS-151105-0002.
11. PCB ROUTING RECOMMENDATION: AS-151105-0001.



ISOMETRIC VIEW
LATCH IN "CLOSED" POSITION



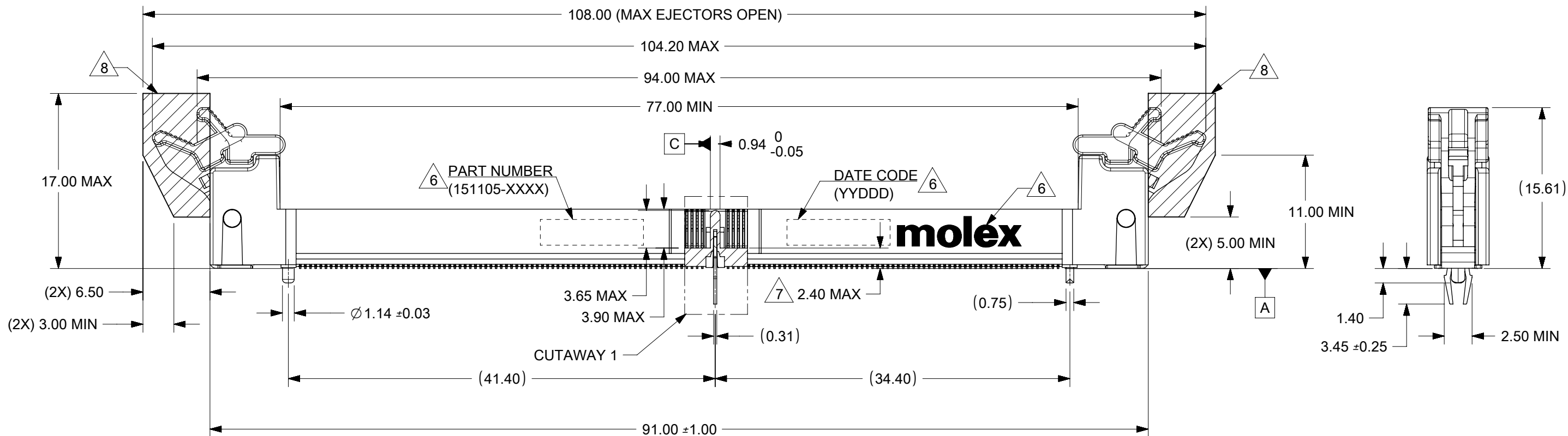
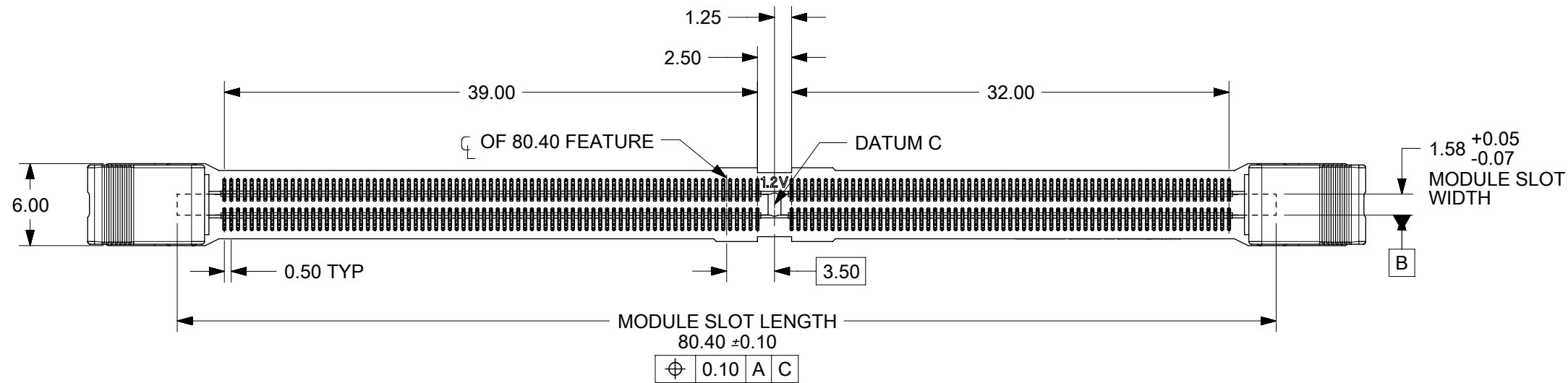
ISOMETRIC VIEW
LATCH IN "OPEN" POSITION

THIS DESIGN IS BASED ON DESIGN OBJECTIVES AND IS STRICTLY TENTATIVE. IT MAY CHANGE BASED ON RESULTS OF ADDITIONAL DESIGN REVIEWS AND VERIFICATIONS.

THIS DRAWING CONTAINS INFORMATION THAT IS PROPRIETARY TO MOLEX ELECTRONIC TECHNOLOGIES, LLC AND SHOULD NOT BE USED WITHOUT WRITTEN PERMISSION

VIEWS UPDATED EC NO: 115184 DRWN: JAKEEMEW CHK'D: CCTEH APPR: SHLENI	2017/03/30 2017/04/03 2017/04/03	GENERAL TOLERANCES (UNLESS SPECIFIED)		DIMENSION UNITS	SCALE				
	ANGULAR TOL ± 3.0 °		MM	NTS					
	4 PLACES ±	DRWN BY JAKEEMEW		DATE 2014/12/16		DDR4 MINI DIMM, 0.50MM VERTICAL SMT 288CKTS			
	3 PLACES ±	CHK'D BY CCTEH		DATE 2015/05/29					
	2 PLACES ± 0.2	APPR BY SHLENI		DATE 2015/06/08		PRODUCT CUSTOMER DRAWING			
	1 PLACE ±	DRAFT WHERE APPLICABLE MUST REMAIN WITHIN DIMENSIONS		DRAWING SIZE	THIRD ANGLE PROJECTION	SERIES	MATERIAL NUMBER	CUSTOMER	
0 PLACES ±	A1	REV	A3		151105	SEE TABLE	GENERAL MARKET		
					DOCUMENT NUMBER	DOC TYPE	DOC PART	SHEET NUMBER	
					SD-151105-0001	PSD	000	1 OF 7	

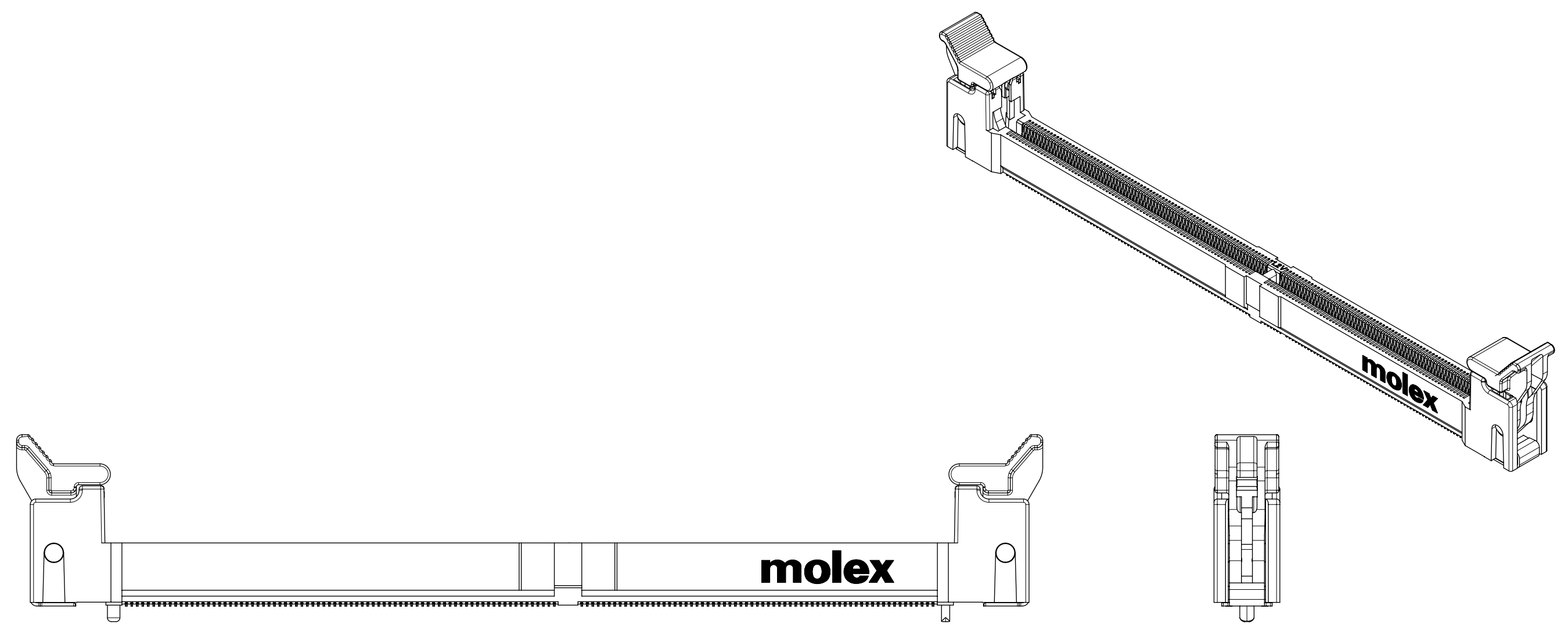
RELEASE STATUS	RELEASE DATE
----------------	--------------



THIS DRAWING CONTAINS INFORMATION THAT IS PROPRIETARY TO MOLEX ELECTRONIC TECHNOLOGIES, LLC AND SHOULD NOT BE USED WITHOUT WRITTEN PERMISSION

VIEWS UPDATED EC NO: 115184 DRWN: JAKEEMEW CHK'D: CCTEH APPR: SHLENI	2017/03/30	GENERAL TOLERANCES (UNLESS SPECIFIED)		DIMENSION UNITS	SCALE		
	2017/04/03	ANGULAR TOL ± 3.0 °		MM	NTS		
	2017/04/03	4 PLACES ±	DRWN BY	JAKEEMEW	DATE		2014/12/16
		3 PLACES ±	CHK'D BY	CCTEH	DATE		2015/05/29
		2 PLACES ± 0.2	APPR BY	SHLENI	DATE		2015/06/08
	1 PLACE ±	DRAFT WHERE APPLICABLE MUST REMAIN WITHIN DIMENSIONS		DRAWING SIZE	THIRD ANGLE PROJECTION	PRODUCT CUSTOMER DRAWING	
	0 PLACES ±			A3		SERIES: 151105	
						MATERIAL NUMBER: SEE TABLE	
						CUSTOMER: GENERAL MARKET	
				DOCUMENT NUMBER: SD-151105-0001	DOC TYPE: PSD	DOC PART: 000	
						SHEET NUMBER: 2 OF 7	

CONNECTOR WITHOUT CENTER PCB HOLD-DOWN FEATURE

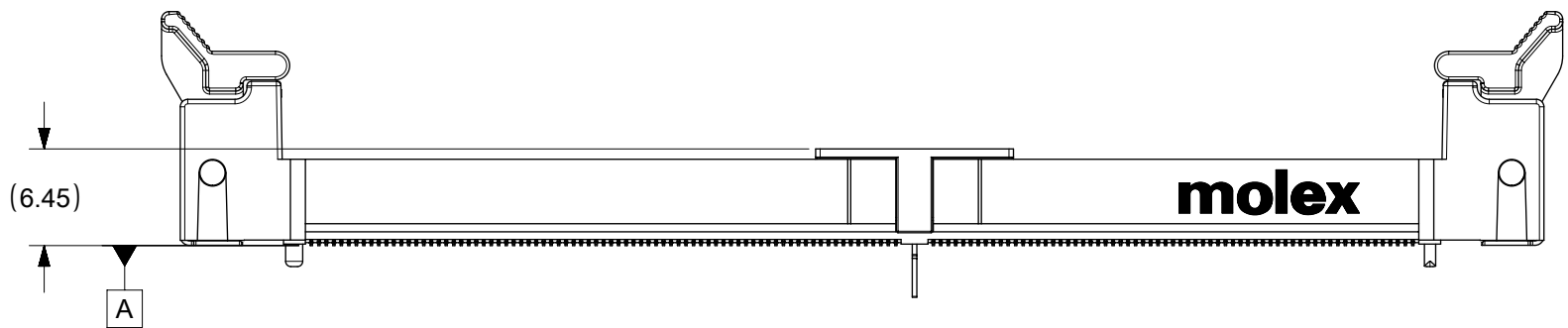
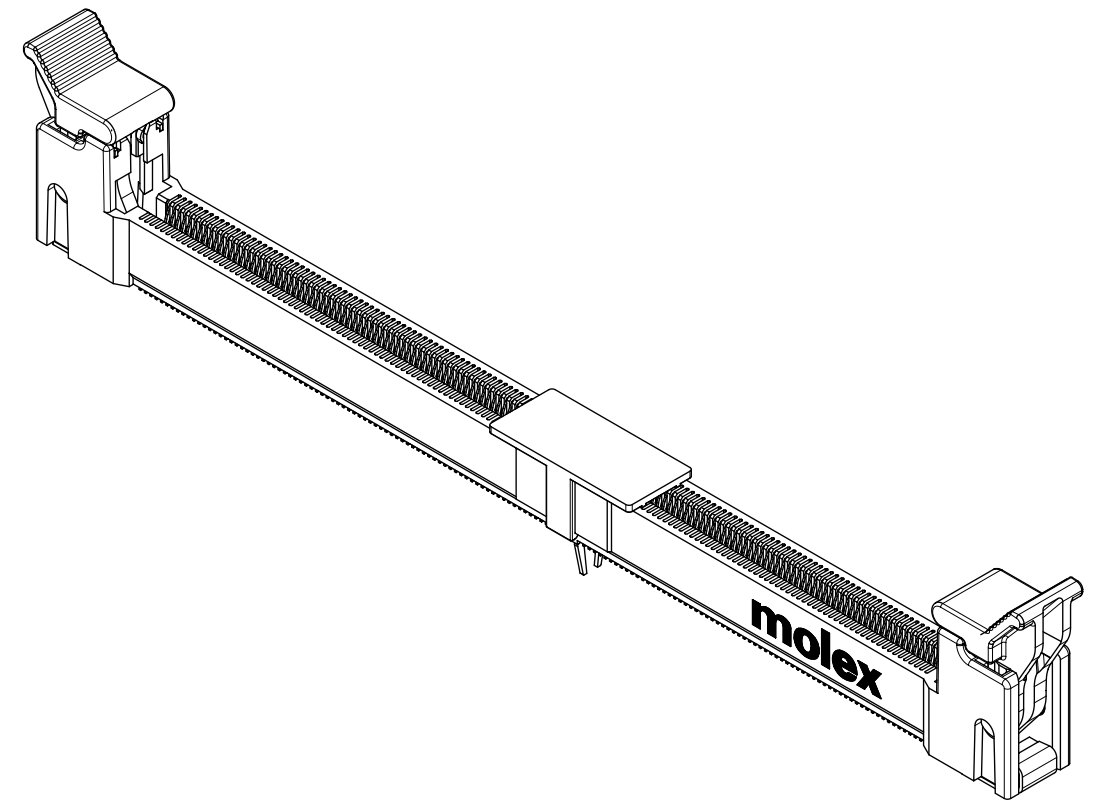
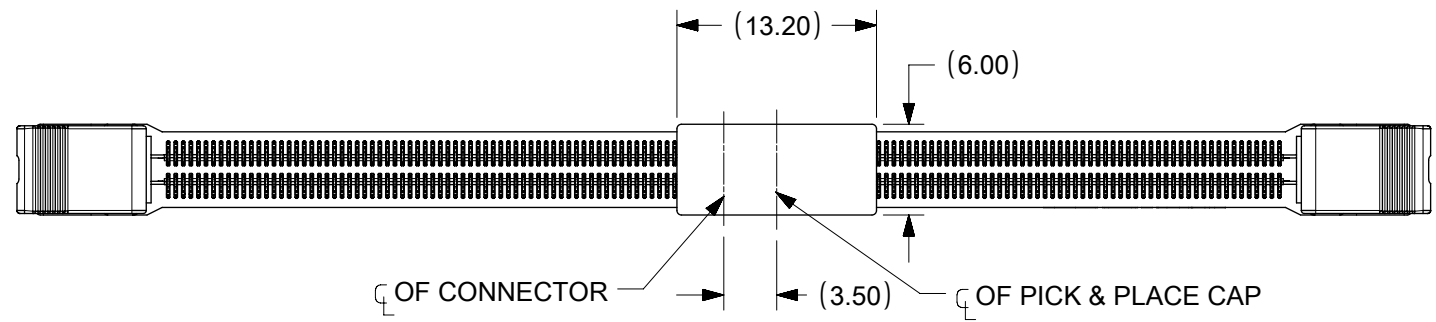


THIS DRAWING CONTAINS INFORMATION THAT IS PROPRIETARY TO MOLEX ELECTRONIC TECHNOLOGIES, LLC AND SHOULD NOT BE USED WITHOUT WRITTEN PERMISSION

VIEWS UPDATED EC NO: 115184 DRWN: JAKEEMEW CHK'D: CCTEH REV APPR: SHLENI	2017/03/30 2017/04/03 2017/04/03	GENERAL TOLERANCES (UNLESS SPECIFIED) ANGULAR TOL ± 3.0 ° 4 PLACES ± 3 PLACES ± 2 PLACES ± 0.2 1 PLACE ± 0 PLACES ±	DIMENSION UNITS MM	SCALE NTS	molex® DDR4 MINI DIMM, 0.50MM VERTICAL SMT 288CKTS			
	DRWN BY JAKEEMEW	DATE 2014/12/16	CHK'D BY CCTEH	DATE 2015/05/29		PRODUCT CUSTOMER DRAWING		
	APPR BY SHLENI	DATE 2015/06/08	DRAWING SIZE A3	THIRD ANGLE PROJECTION 	SERIES 151105		MATERIAL NUMBER SEE TABLE	CUSTOMER GENERAL MARKET
	DRAFT WHERE APPLICABLE MUST REMAIN WITHIN DIMENSIONS	DOCUMENT NUMBER SD-151105-0001	DOC TYPE PSD	DOC PART 000	SHEET NUMBER 3 OF 7			

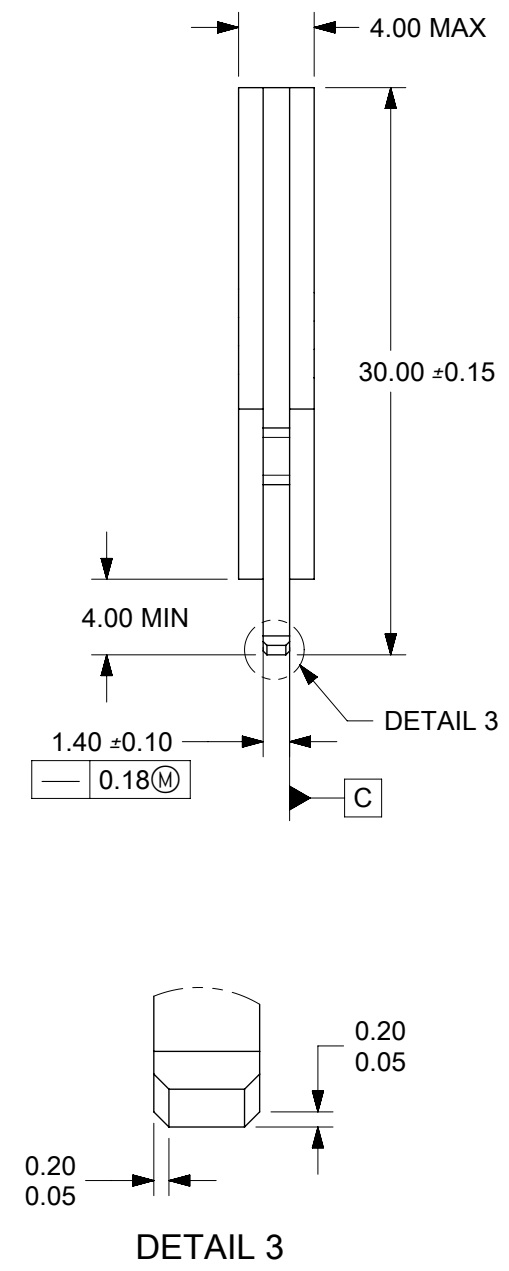
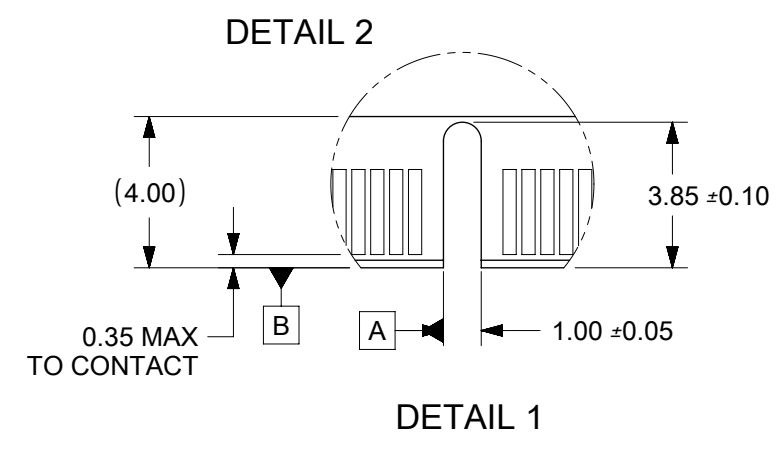
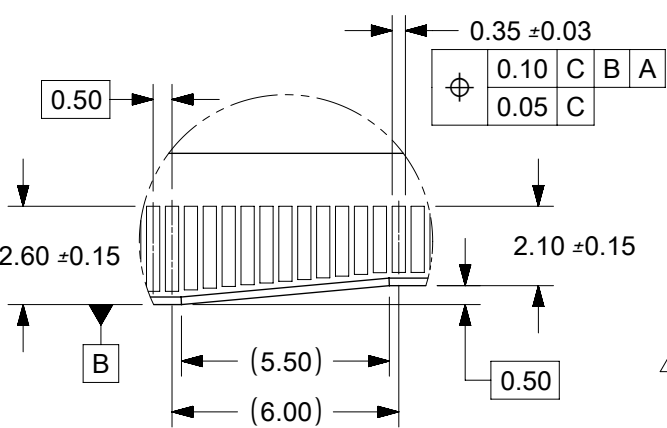
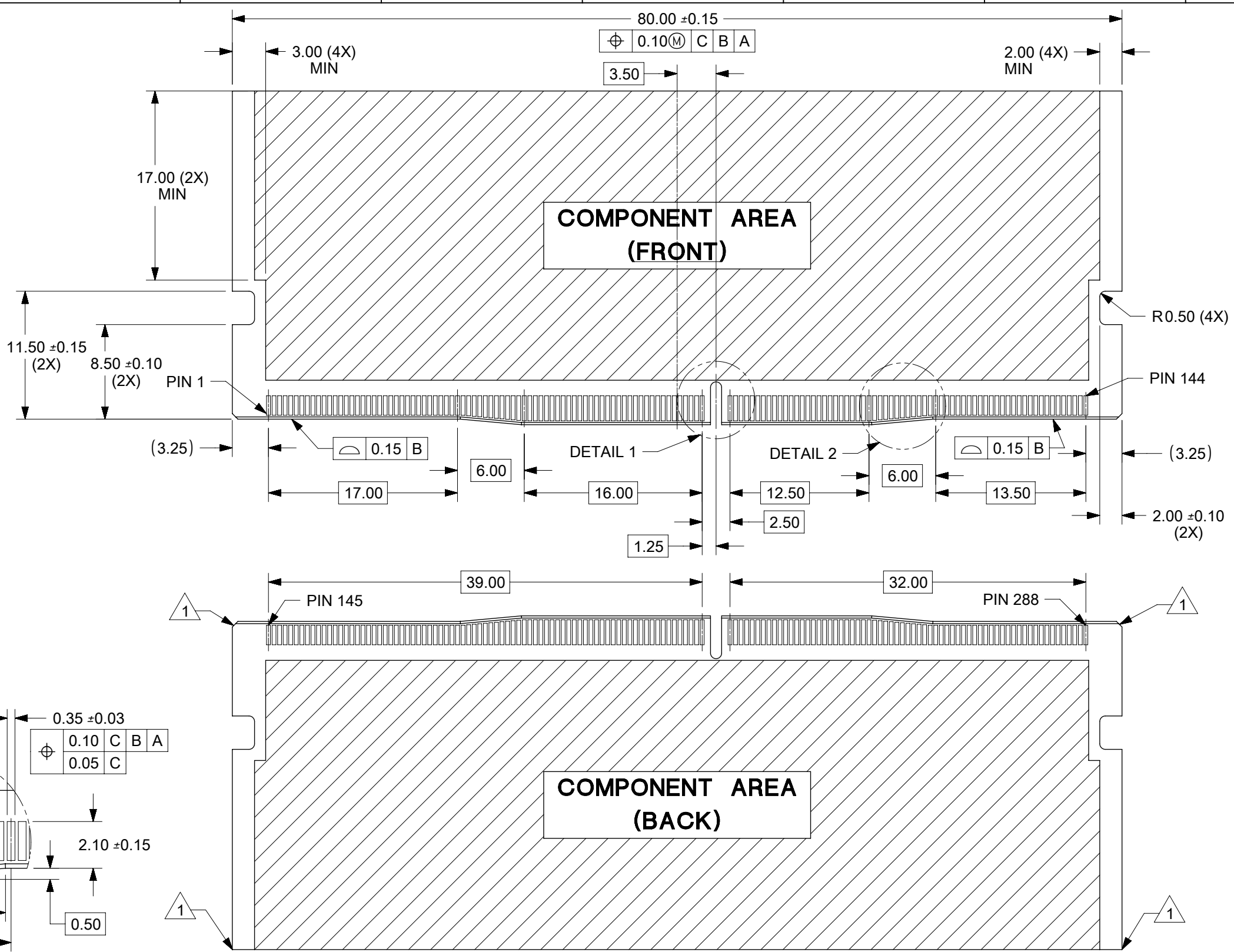
RELEASE STATUS	P1	RELEASE DATE	03.04.2017	10:05:25
----------------	----	--------------	------------	----------

CONNECTOR WITH PICK & PLACE CAP



THIS DRAWING CONTAINS INFORMATION THAT IS PROPRIETARY TO MOLEX ELECTRONIC TECHNOLOGIES, LLC AND SHOULD NOT BE USED WITHOUT WRITTEN PERMISSION

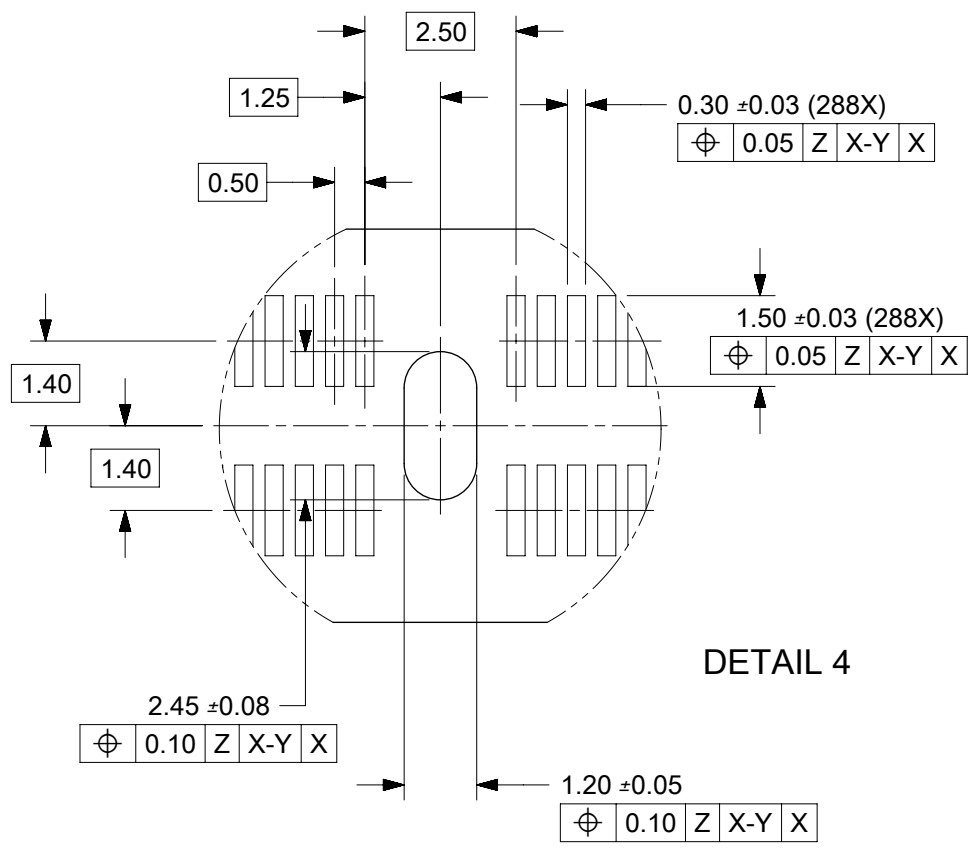
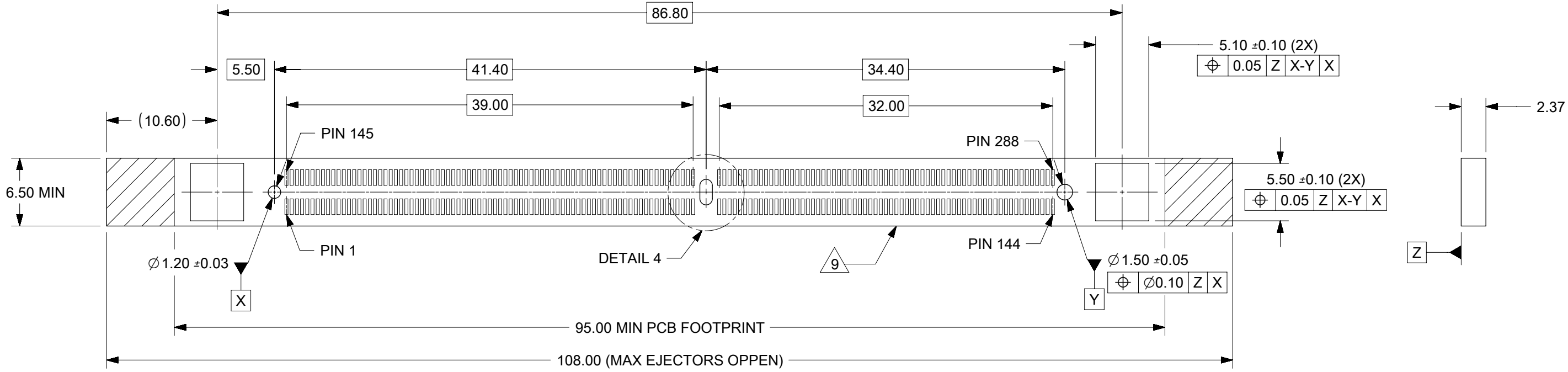
VIEWS UPDATED EC NO: 115184 DRWN: JAKEEMEW CHK'D: CCTEH APPR: SHLENI	2017/03/30	2017/04/03	GENERAL TOLERANCES (UNLESS SPECIFIED) ANGULAR TOL ± 3.0 ° 4 PLACES ± 3 PLACES ± 2 PLACES ± 0.2 1 PLACE ± 0 PLACES ± DRAFT WHERE APPLICABLE MUST REMAIN WITHIN DIMENSIONS	DIMENSION UNITS	SCALE				
				MM	NTS		DDR4 MINI DIMM, 0.50MM VERTICAL SMT 288CKTS		
				DRWN BY	DATE				
				JAKEEMEW	2014/12/16	CHK'D BY	DATE	PRODUCT CUSTOMER DRAWING	
				CCTEH	2015/05/29	APPR BY	DATE		SERIES
		SHLENI	2015/06/08	DRAWING SIZE	THIRD ANGLE PROJECTION	151105	SEE TABLE	GENERAL MARKET	
A1	REV			A3		DOCUMENT NUMBER	DOC TYPE	DOC PART	SHEET NUMBER
						SD-151105-0001	PSD	000	4 OF 7



NOTE:
 1 CHAMFERS AND/OR RADII AS DEFINED BY JEDEC SOLID STATE PRODUCT OUTLINE

THIS DRAWING CONTAINS INFORMATION THAT IS PROPRIETARY TO MOLEX ELECTRONIC TECHNOLOGIES, LLC AND SHOULD NOT BE USED WITHOUT WRITTEN PERMISSION

VIEWS UPDATED 2017/03/30 2017/04/03 2017/04/03	GENERAL TOLERANCES (UNLESS SPECIFIED)		DIMENSION UNITS	SCALE	molex [®]		
	ANGULAR TOL ± 3.0 °		MM	NTS			
	4 PLACES ±		JAKEEMEW	DATE	PRODUCT CUSTOMER DRAWING		
	3 PLACES ±		CCTEH	2014/12/16	SERIES	MATERIAL NUMBER	CUSTOMER
2 PLACES ±	0.2	SHLENI	2015/05/29	151105	SEE TABLE	GENERAL MARKET	
1 PLACE ±			2015/06/08	DOCUMENT NUMBER			
0 PLACES ±				SD-151105-0001	DOC TYPE	DOC PART	SHEET NUMBER
DRAFT WHERE APPLICABLE MUST REMAIN WITHIN DIMENSIONS		DRAWING SIZE	THIRD ANGLE PROJECTION				
A1	REV	A3					5 OF 7



THIS DRAWING CONTAINS INFORMATION THAT IS PROPRIETARY TO MOLEX ELECTRONIC TECHNOLOGIES, LLC AND SHOULD NOT BE USED WITHOUT WRITTEN PERMISSION

VIEWS UPDATED EC NO: 115184 DRWN: JAKEEMEW CHK'D: CCTEH APPR: SHLENI	2017/03/30	2017/04/03	2017/04/03	GENERAL TOLERANCES (UNLESS SPECIFIED) ANGULAR TOL ± 3.0 ° 4 PLACES ± 3 PLACES ± 2 PLACES ± 0.2 1 PLACE ± 0 PLACES ± DRAFT WHERE APPLICABLE MUST REMAIN WITHIN DIMENSIONS	DIMENSION UNITS	SCALE			
					MM	NTS			
					DRWN BY	DATE	DDR4 MINI DIMM, 0.50MM VERTICAL SMT 288CKTS		
					JAKEEMEW	2014/12/16			
					CHK'D BY	DATE			
			CCTEH	2015/05/29	PRODUCT CUSTOMER DRAWING				
			APPR BY	DATE					
			SHLENI	2015/06/08	SERIES	MATERIAL NUMBER	CUSTOMER		
					151105	SEE TABLE	GENERAL MARKET		
					DOCUMENT NUMBER		DOC TYPE	DOC PART	SHEET NUMBER
					SD-151105-0001		PSD	000	6 OF 7

9 8 7 6 5 4 3 2 1

E

E

ASSEMBLY PART NUMBER	CENTER PCB HOLD-DOWN FEATURE	PICK & PLACE CAP	PRODUCT SPECIFICATION	PACKAGING SPECIFICATION
151105-0001	YES	NO	PS-151105-0001	PK-151105-0001
151105-0002	NO	YES		
151105-0003	YES	YES		
151105-0004	NO	NO		

D

D

C

C


B

B

A

A

THIS DRAWING CONTAINS INFORMATION THAT IS PROPRIETARY TO MOLEX ELECTRONIC TECHNOLOGIES, LLC AND SHOULD NOT BE USED WITHOUT WRITTEN PERMISSION

VIEWS UPDATED EC NO: 115184 DRWN: JAKEEMEW CHK'D: CCTEH REV APPR: SHLENI	2017/03/30	2017/04/03	2017/04/03	GENERAL TOLERANCES (UNLESS SPECIFIED) ANGULAR TOL ± 3.0 ° 4 PLACES ± 3 PLACES ± 2 PLACES ± 0.2 1 PLACE ± 0 PLACES ± DRAFT WHERE APPLICABLE MUST REMAIN WITHIN DIMENSIONS	DIMENSION UNITS	SCALE	 DDR4 MINI DIMM, 0.50MM VERTICAL SMT 288CKTS						
	MM		NTS		DRWN BY	DATE					JAKEEMEW 2014/12/16		
	CHK'D BY		DATE		CCTEH 2015/05/29								
	APPR BY		DATE		SHLENI 2015/06/08		PRODUCT CUSTOMER DRAWING						
	DRAWING SIZE		THIRD ANGLE PROJECTION		A3		SERIES	MATERIAL NUMBER	CUSTOMER				
	A1		REV		A3		151105	SEE TABLE	GENERAL MARKET				
	RELEASE STATUS		P1		RELEASE DATE		03.04.2017 10:05:25		DOCUMENT NUMBER		DOC TYPE	DOC PART	SHEET NUMBER
	A1				A3		SD-151105-0001		PSD	000	7 OF 7		

RELEASE STATUS P1 RELEASE DATE 03.04.2017 10:05:25

9 8 7 6 5 4 3 2 1

FORMAT: master-ib-prod-A3
 REVISION: 0
 DATE: 2015/12/14